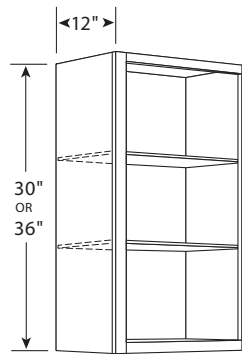


**12" HIGH  
DOUBLE DOOR  
WALL CABINETS**

W3012  
W3612  
W3912

W361224 (24" DEEP)

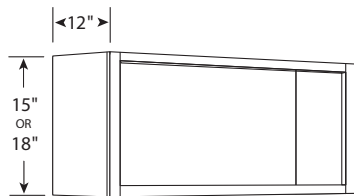
NO SHELF



**30" & 36" HIGH  
SINGLE DOOR  
WALL CABINETS**

W930      W936  
W1230    W1236  
W1530    W1536  
W1830    W1836  
W2130    W2136

TWO SHELVES

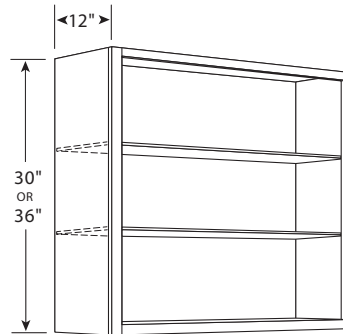


**15" & 18" HIGH  
DOUBLE DOOR  
WALL CABINETS**

W3015    W3018  
W3315    W3618  
W3615

W361824 (24" DEEP)

NO SHELF

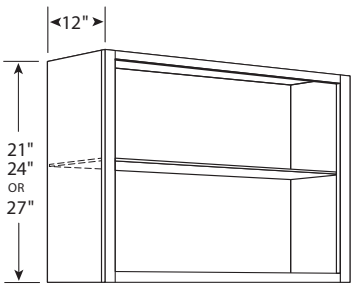


**30" & 36" HIGH  
DOUBLE DOOR  
WALL CABINETS**

W2430-2    W2436-2  
W2730      W2736  
W3030      W3036  
W3330      W3336  
W3630      W3636  
W3930      W3936  
W4230\*    W4236\*

TWO SHELVES

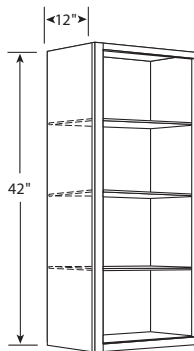
\*HAS 3" CENTER STILE



**21", 24", & 27" HIGH  
DOUBLE DOOR  
WALL CABINETS**

W3021  
W3024  
W3624  
W3027

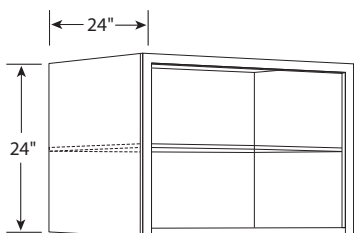
ONE SHELF



**42" HIGH  
SINGLE DOOR  
WALL CABINETS**

W942  
W1242  
W1542  
W1842  
W2142

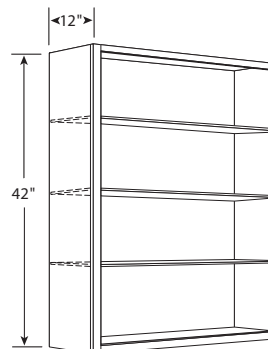
THREE SHELVES



**24" HIGH X 24" DEEP  
DOUBLE DOOR  
REFRIGERATOR  
CABINETS**

W362424

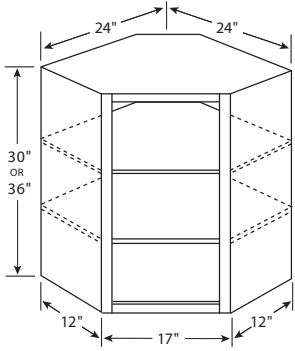
ONE SHELF



**42" HIGH  
DOUBLE DOOR  
WALL CABINETS**

W2442-2  
W2742  
W3042  
W3342  
W3642

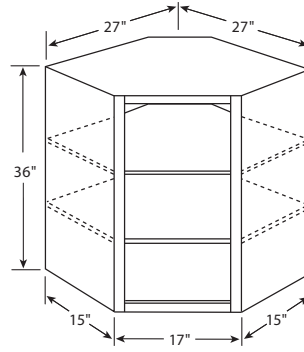
THREE SHELVES



**30" & 36" HIGH**  
SINGLE DOOR CORNER  
WALL CABINETS

CW2430  
CW2436

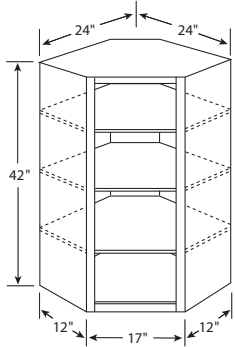
TWO SHELVES



**36" HIGH X 15" DEEP**  
SINGLE DOOR CORNER  
WALL CABINETS

CW2736

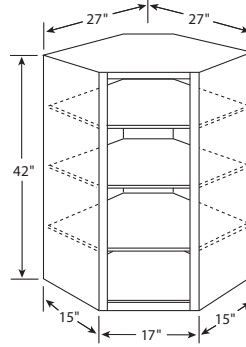
TWO SHELVES



**42" HIGH**  
SINGLE DOOR CORNER  
WALL CABINETS

CW2442

THREE SHELVES



**42" HIGH X 15" DEEP**  
SINGLE DOOR CORNER  
WALL CABINETS

CW2742

THREE SHELVES

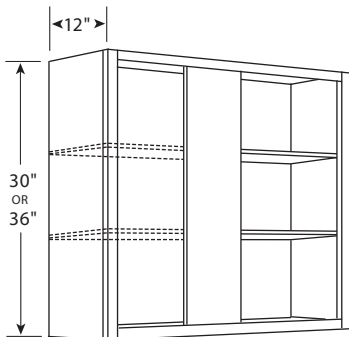
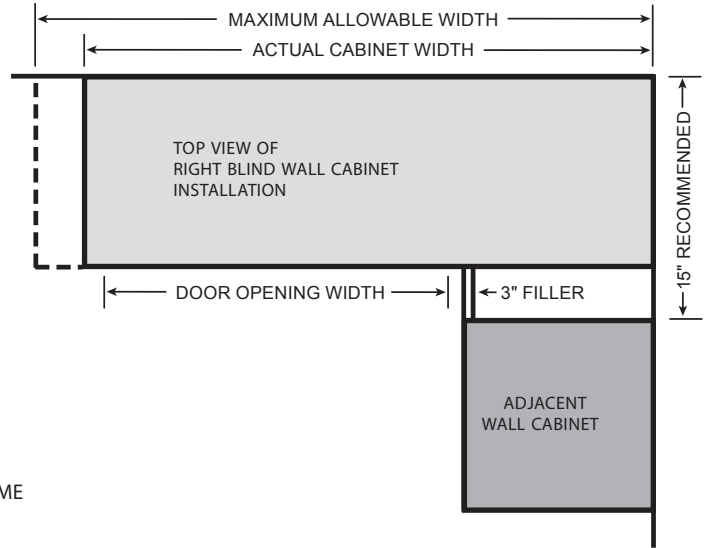
**BLIND WALL CABINET INSTALLATION  
RECOMMENDATIONS**

BY WIDTH

CABINET NUMBER	ACTUAL CABINET WIDTH	MIN/MAX RECOMMENDED DIMENSIONS FOR INSTALL	WIDTH OF DOOR OPENING
BW24XX	24"	24" - 26 1/2"	9"
BW30XX	30"	30" - 32 1/2"	15"
BW36XX	36"	36" - 38 1/2"	20 3/4"

ORDER FILLER SEPARATELY

MEASUREMENTS BASED ON DESIGN USING A 4 1/2" VERTICAL IN FACE FRAME

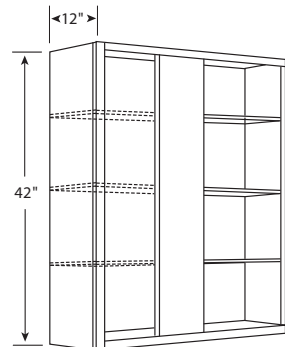


**30" & 36" HIGH**  
SINGLE DOOR  
BLIND WALL CABINETS

BW2430    BW2436  
BW3030    BW3036  
BW3630    BW3636

TWO SHELVES

CHOOSE SIDE TO HINGE DOOR  
STILE = 4 3/4" WIDE

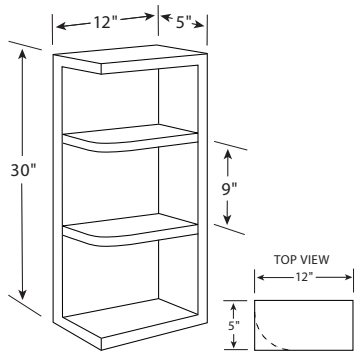


**42" HIGH**  
SINGLE DOOR  
BLIND WALL CABINETS

BW2442  
BW3042  
BW3642

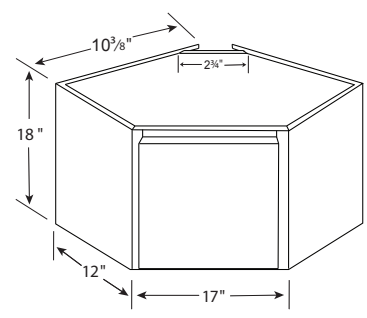
THREE SHELVES

CHOOSE SIDE TO HINGE DOOR  
STILE = 4 3/4" WIDE



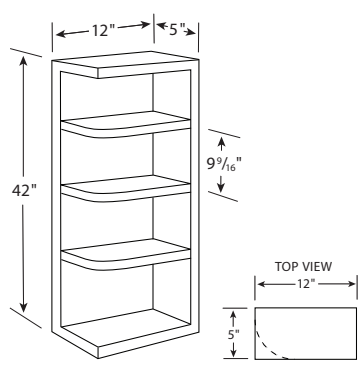
**30" HIGH X 12" DEEP**  
1/4 ROUND SHELVES

WQR630  
TWO FIXED SHELVES



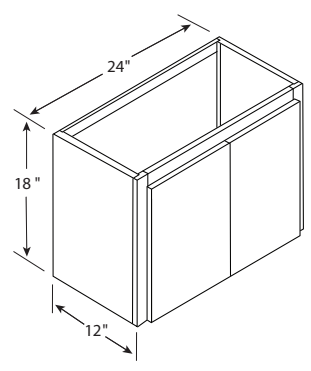
**DIAGONAL APPLIANCE GARAGE**

ADAG  
SINGLE DOOR HINGED TO SIDE STILE  
NO BOTTOM PANEL, NO UNDER RAIL  
MATCHES CW24 (LENGTH + WIDTH)  
FINISHED EXTERIOR IS STANDARD



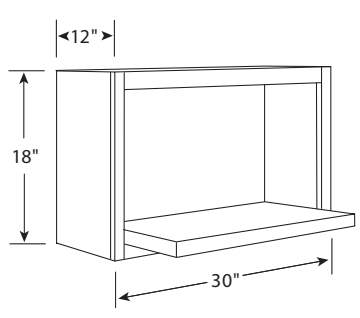
**42" HIGH X 12" DEEP**  
1/4 ROUND SHELVES

WQR642  
THREE FIXED SHELVES



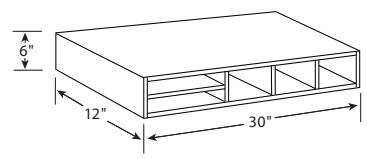
**APPLIANCE GARAGE WITH DOORS**

AG2418-BD  
FULL-FRAME CABINET  
CAN BE USED AS A W2418



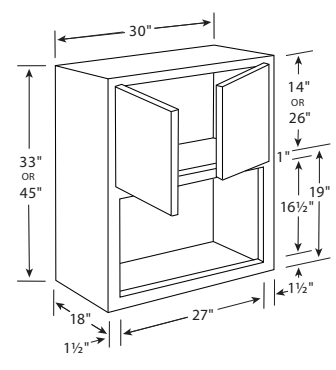
**18" HIGH X 12" DEEP**  
MICROWAVE WALL CABINETS

MWS3018X12  
SHELF IS 17" DEEP  
FINISHED INTERIOR AND EXTERIOR IS STANDARD  
OPENING DIMENSIONS: 27"W X 14 1/4"H



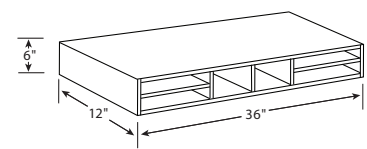
**12" DEEP**  
WALL ORGANIZERS & SHELVES

WO306  
OPENING WIDTHS ARE: 10 1/2" AND 5 1/4"  
MADE OF 3/4" VENEER PLYWOOD WITH INTERIORS FINISHED TO MATCH & FRONT EDGES BANDED



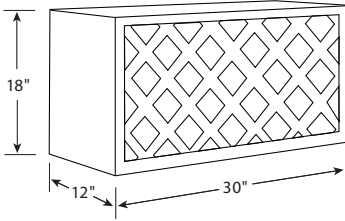
**33" & 45" HIGH X 18" DEEP**  
MICROWAVE WALL CABINETS

WMW303318  
WMW304518  
SUPPLIED WITH AN OVERLAY FACE FRAME WITH OPENING  
DIMENSIONS: 25"W X 14 3/8"H TRIMMABLE  
FINISHED INTERIOR AND EXTERIOR IS STANDARD



**12" DEEP**  
WALL ORGANIZERS & SHELVES

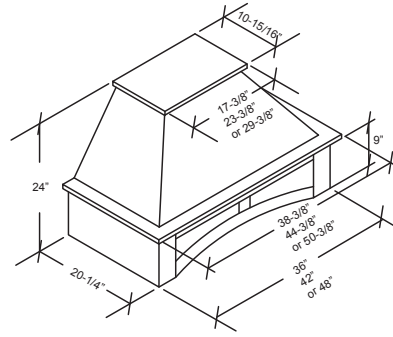
WO366  
OPENING WIDTHS ARE: 10 1/2" AND 5 1/2"  
MADE OF 3/4" VENEER PLYWOOD WITH INTERIORS FINISHED TO MATCH & FRONT EDGES BANDED



**12" DEEP  
WALL WINE RACKS**

WR3018

HOLDS 18 TO 20 BOTTLES  
FINISHED INTERIOR AND  
EXTERIOR IS STANDARD

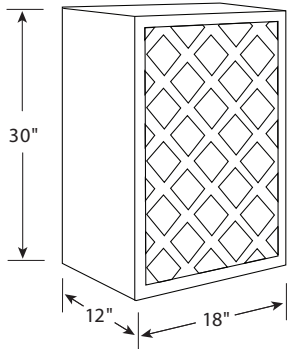


**CONTEMPORARY  
ARCHED HOOD**  
36", 42", & 48" WIDE

RH36CTARCH  
RH42CTARCH  
RH48CTARCH

DOES NOT COME WITH  
BLOWER UNIT  
TRIM EXTENDS PAST THE 36",  
42", AND 48" MEASUREMENTS

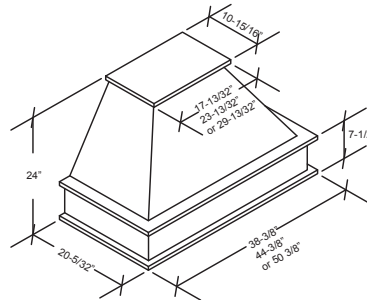
*Available while supplies last -  
In process of being retired.*



**12" DEEP  
WALL WINE RACKS**

WR1830

HOLDS 18 TO 20 BOTTLES  
FINISHED INTERIOR AND  
EXTERIOR IS STANDARD

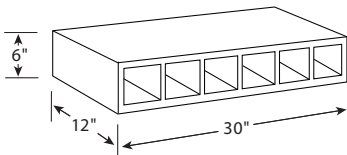


**CONTEMPORARY  
STRAIGHT HOOD**  
36", 42", & 48" WIDE

RH36CTSTR  
RH42CTSTR  
RH48CTSTR

DOES NOT COME WITH  
BLOWER UNIT  
TRIM EXTENDS PAST THE 36",  
42", AND 48" MEASUREMENTS

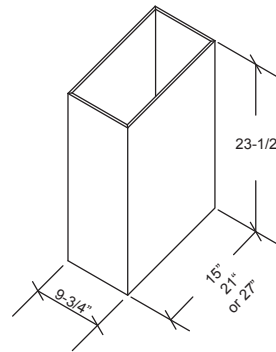
*Available while supplies last -  
In process of being retired.*



**12" DEEP  
WINE CUBBIES**

WCU30

CAN BE INSTALLED  
VERTICALLY OR HORIZONTALLY  
MADE OF 3/4" VENEER  
PLYWOOD WITH INTERIORS  
FINISHED TO MATCH &  
FRONT EDGES BANDED

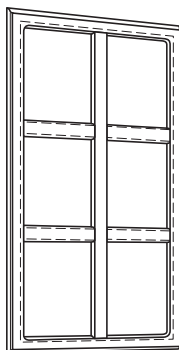


**CONTEMPORARY  
CHIMNEY**

RH36CTCHIM  
RH42CTCHIM  
RH48CTCHIM

DOES NOT COME WITH  
BLOWER UNIT  
COMPATIBLE WITH 36", 42", &  
48" CONTEMPORARY ARCHED &  
STRAIGHT HOODS  
CHIMNEYS ARE OFFERED THROUGH  
THE MODIFICATIONS PROGRAM  
AND EXTEND LEAD TIME

*Available while supplies last -  
In process of being retired.*

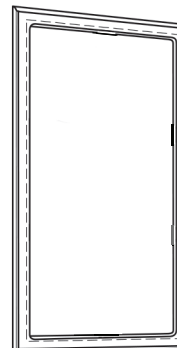


**MULLION DOORS**

MD

SEE ORDER FORM FOR  
AVAILABLE SIZES

GLASS NOT SUPPLIED  
NOT AVAILABLE IN DESOTO  
OR DALTON GRAY  
(SEE PREP FOR GLASS DOORS)

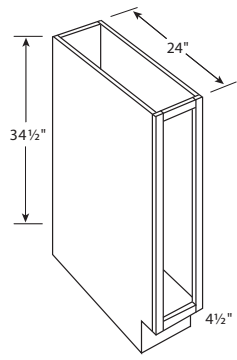


**PREP FOR GLASS  
DOORS**

PFG

SEE ORDER FORM FOR  
AVAILABLE SIZES

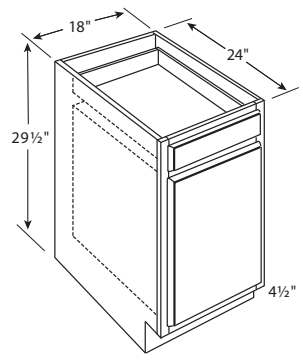
GLASS NOT SUPPLIED  
CURRENTLY AVAILABLE IN  
DESOTO AND DALTON GRAY;  
SELECT STYLES MAY REQUIRE  
A MODIFICATION



**FULL HEIGHT SINGLE DOOR BASE CABINETS**

B9

NO SHELF

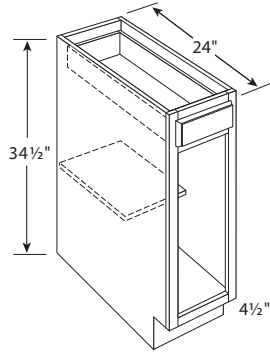


**FILE DRAWER (STANDARD TOP DRAWER & LARGE BOTTOM DRAWER)**

DDB18

TOP DRAWER HEAD ON FULL OVERLAY STYLES 6 3/4" HIGH, THE SIDES ARE 4" HIGH

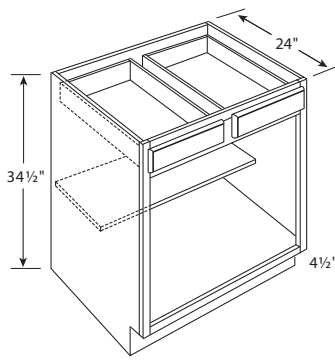
BOTTOM DRAWER HEAD ON FULL OVERLAY STYLES 16 1/2" HIGH, THE SIDES ARE 11 3/8" HIGH



**SINGLE DOOR & DRAWER BASE CABINETS**

B12  
B15  
B18  
B21

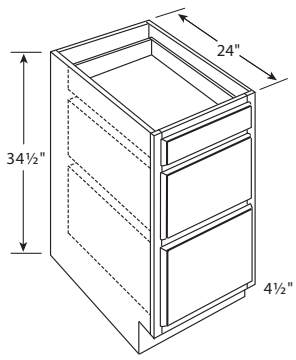
CAN BE MODIFIED FOR FIXED FRONT



**DOUBLE DOOR & DRAWER BASE CABINETS**

B24-2\*    B36  
B27\*    B39  
B30    B42\*\*  
B33

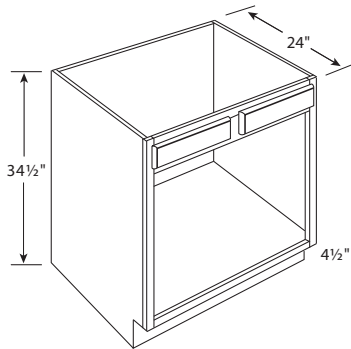
\*SINGLE DRAWER HEAD  
\*\*WILL HAVE CENTER STILE



**THREE DRAWER BASE CABINETS**

DB12    DB24  
DB15    DB30  
DB18    DB36  
DB21

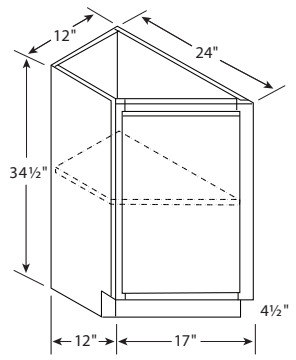
SINGLE TOP DRAWER ON ALL SIZES  
TOP DRAWER HEIGHT: 6 3/4", SIDE DEPTH 3 1/4"  
BOTTOM DRAWERS HEIGHT: 10 1/2", SIDE DEPTH 5 1/2"



**DOUBLE DOOR SINK BASE CABINETS**

SB30  
SB33  
SB36  
SB42\*\*

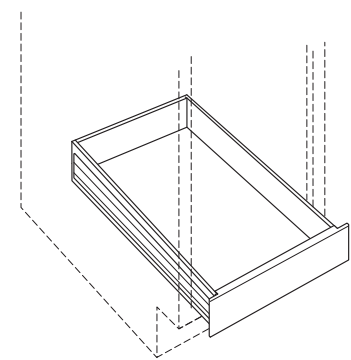
\*\*WILL HAVE CENTER STILE



**ANGLED TRANSITIONAL W/FULL HEIGHT DOOR BASE CABINETS (LEFT SHOWN)**

TAB12FHDL  
TAB12FHDR

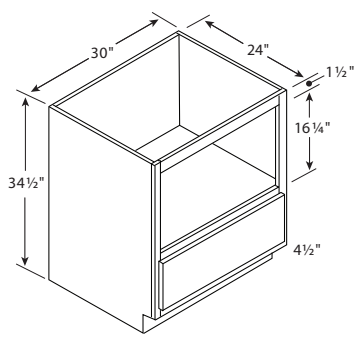
HINGES ON SMALL SIDE  
FINISHED EXTERIOR IS STANDARD



**PULL OUT SHELF TRAYS**

ROT B15    ROT B27  
ROT B18    ROT B30  
ROT B21    ROT B33  
ROT B24    ROT B36

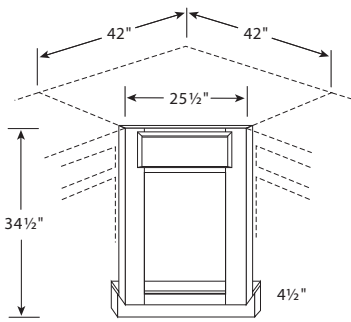
ALL-WOOD DOVETAIL DRAWERS  
FULL EXTENSION, SOFT CLOSE  
UNDERMOUNT GLIDES, 4" TALL  
WILL FIT INTO TALL UNITS



**MICROWAVE/DISH DRAWER BASE CABINETS**

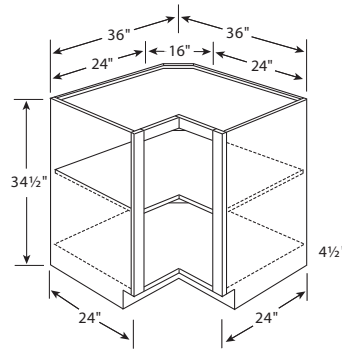
BM30

27" WIDE OPENING, DRAWER HEAD HEIGHT: 11", SIDE DEPTH 5 1/2", DOES NOT ACCEPT APPL. TRIM KITS  
FINISHED INTERIOR & EXTERIOR STD.



**SINGLE DOOR CORNER SINK FRONT**

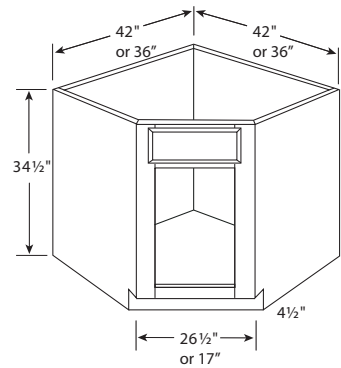
CSF42



**EASY REACH CORNER BASE CABINETS**

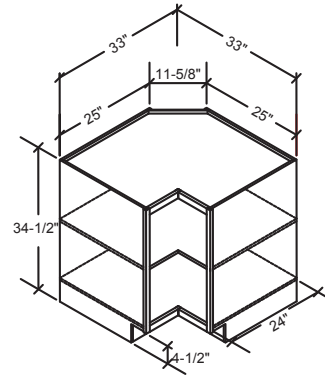
ER36

DOUBLE HINGED DOORS  
ONE SHELF  
ORDER LAZY SUSAN SEPARATELY, FREE INSTALL



**SINGLE DOOR CORNER SINK BASE CABINETS**

DSB42  
DSB36



**EASY REACH CORNER BASE CABINETS**

ER33

DOUBLE HINGED DOORS  
ONE SHELF  
ORDER LAZY SUSAN SEPARATELY, FREE INSTALL

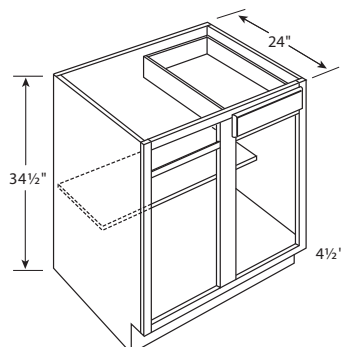
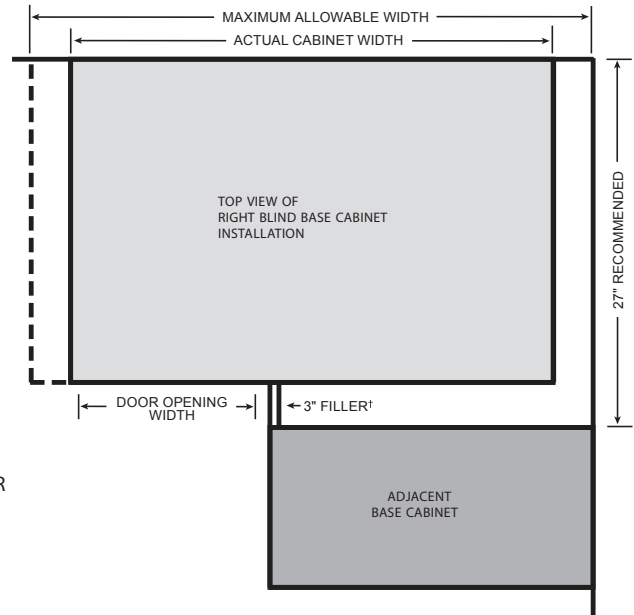
**BLIND BASE CABINET INSTALLATION RECOMMENDATIONS BY WIDTH**

CABINET NUMBER	ACTUAL CABINET WIDTH	MIN/MAX RECOMMENDED DIMENSIONS FOR INSTALL	WIDTH OF DOOR OPENING
BB36 **	30"	36" - 39"	9"
BB42	36"	42" - 45"	12"
BB48	48"	48" - 52"	18"

NOTE: MINIMUM PULL RECOMMENDATION INCLUDES 3" STILE REVEAL TO CORNER

ORDER FILLER SEPARATELY

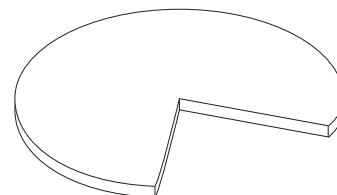
\*\*FULL-HEIGHT DOOR, NO DRAWER



**SINGLE DOOR & DRAWER BLIND BASE CABINETS**

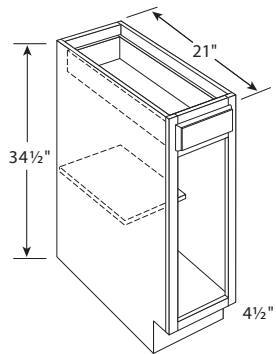
BB36 -NO DRAWER  
BB42  
BB48

SPECIFY ON ORDER WHICH SIDE RECEIVES DRAWER AND DOOR



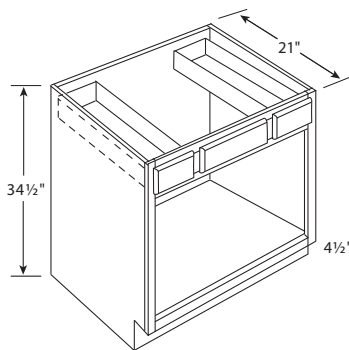
**LAZY SUSANS**

SEE ORDER FORM FOR AVAILABLE OPTIONS & SIZES



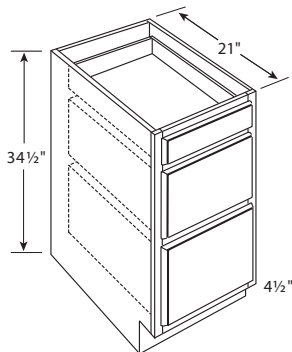
**21" DEEP VANITY  
BASE CABINETS**

VB12  
VB15  
VB18  
  
ONE SHELF



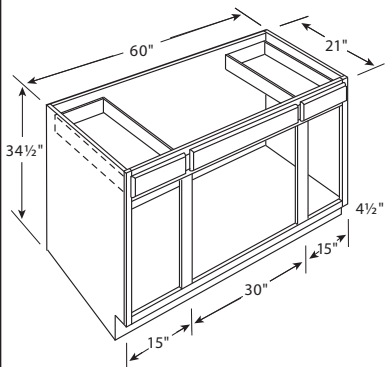
**21" DEEP RIGHT  
DOUBLE DRAWER  
& DOUBLE DOOR VANITY  
SINK BASE CABINETS**

VSB36\* - 10"W DRWR FRNTS  
VSB42\*\* - 11 1/2"W DRWR FRNTS  
VSB48\*\* - 11 1/2"W DRWR FRNTS  
  
\*UNDER-MOUNT DRAWER GLIDES  
\*\*WILL HAVE CENTER STILE



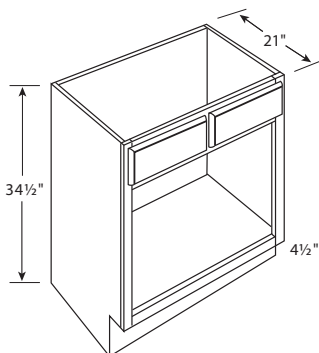
**21" DEEP VANITY  
THREE DRAWER  
BASE CABINETS**

VDB12  
VDB15  
VDB18  
VDB21  
VDB24



**21" DEEP  
TWO DRAWER &  
FOUR DOOR VANITY  
SINK BASE CABINETS**

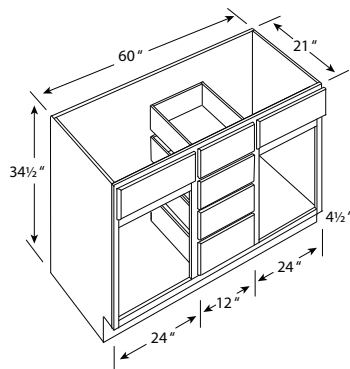
VSB60



**21" DEEP  
DOUBLE DOOR VANITY SINK  
BASE CABINETS**

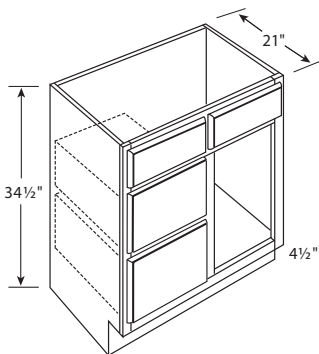
V24-2\*    V33  
V27\*    V36  
V30    V42\*\*

\*SINGLE FALSE DRAWER HEAD  
\*\*WILL HAVE CENTER STILE



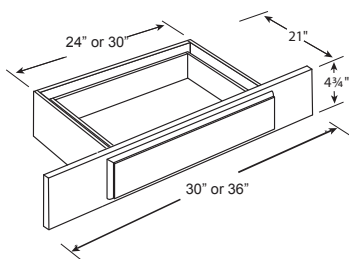
**21" DEEP  
FOUR DRAWER &  
TWO DOOR DOUBLE  
VANITY SINK  
BASE CABINETS**

VDB60



**21" DEEP LEFT  
DOUBLE DRAWER &  
SINGLE DOOR VANITY  
SINK BASE CABINETS**

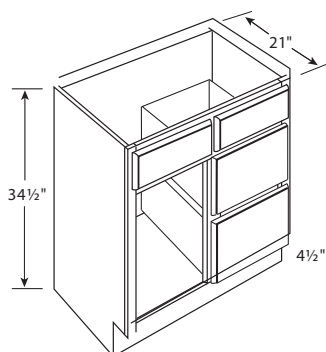
VSDL30  
VSDL36  
  
TWO FALSE DRAWER HEADS



**VANITY LAP DRAWER**

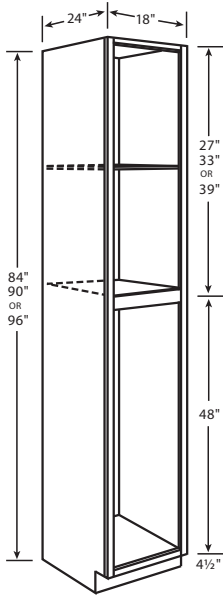
KD30  
KD36

DRAWER HEAD IS SLAB WITH EDGE PROFILE  
TRIMMABLE 3" STILE EACH SIDE OF DRAWER  
EACH DRAWER CAN BE TRIMMED UP TO 6"



**21" DEEP RIGHT  
DOUBLE DRAWER & SINGLE  
DOOR VANITY  
SINK BASE CABINETS**

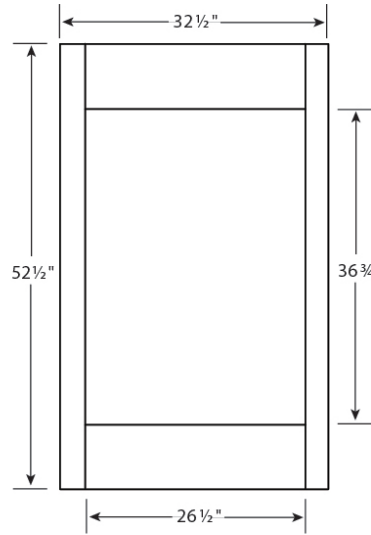
VSDR30  
VSDR36  
  
TWO FALSE DRAWER HEADS



**84", 90", & 96" HIGH  
X 18" WIDE  
SINGLE DOOR  
UTILITY CABINETS**

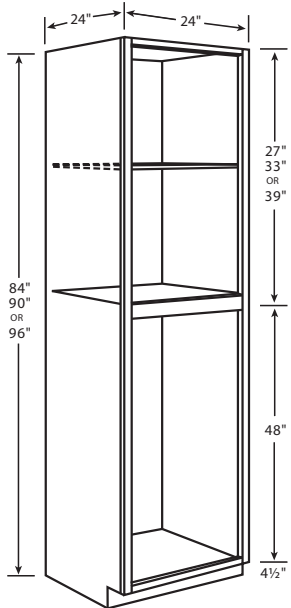
P1884  
P1890  
P1896

SINGLE DOOR ON TOP & BOTTOM  
84" AND 90" HIGH CABINETS  
HAVE 4 ADJUSTABLE SHELVES  
& 1 DIVIDER SHELF  
96" HIGH CABINETS HAVE 5  
ADJUSTABLE SHELVES & 1  
DIVIDER SHELF  
END PANELS ARE FULL HEIGHT  
FINISHED EXTERIOR IS STANDARD



**OVEN CABINET  
OVERLAY PANEL  
DETAIL**

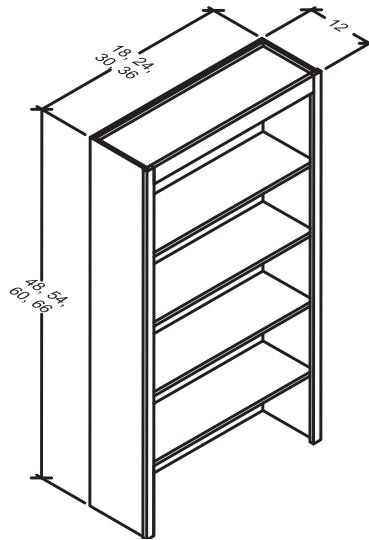
OUTSIDE EDGE IS PROFILED  
THIS PANEL COMES WITH OVEN  
CABINETS NOTED "W/OL"  
CHECK STOCK SHEET FOR  
AVAILABILITY  
OPENING IS 26.3"W X 38"H



**84", 90", & 96" HIGH  
X 24" WIDE  
DOUBLE DOOR  
UTILITY CABINETS**

P2484  
P2490  
P2496

BUTT DOORS ON TOP & BOTTOM  
84" AND 90" HIGH CABINETS  
HAVE 4 ADJUSTABLE SHELVES  
& 1 DIVIDER SHELF  
96" HIGH CABINETS HAVE 5  
ADJUSTABLE SHELVES & 1  
DIVIDER SHELF  
END PANELS ARE FULL HEIGHT  
FINISHED EXTERIOR IS STANDARD

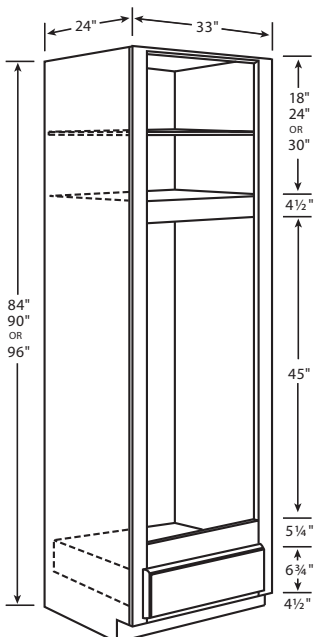


**48", 54", 60", & 66" HIGH  
X 18", 24", 30", 36" WIDE  
BOOKCASES**

BU1848S BU3048S  
BU1854S BU3054S  
BU1860S BU3060S  
BU1866S BU3066S

BU2448S BU3648S  
BU2454S BU3654S  
BU2460S BU3660S  
BU2466S BU3666S

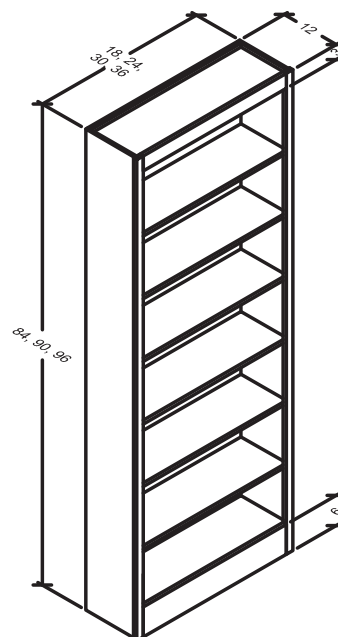
BOOKCASES ARE OFFERED  
THROUGH THE MOD. PROGRAM  
AND EXTEND LEAD TIME  
FINISHED INTERIOR AND  
EXTERIOR IS STANDARD



**84", 90", & 96" HIGH  
DOUBLE OVEN  
CABINETS WITH  
SINGLE DRAWER**

OC3384D (w/ol)  
OC3390D (w/ol)  
OC3396D (w/ol)

END PANELS ARE FULL HEIGHT  
OPENING IS 30"W X 45"H (ALL  
THREE SIZES)



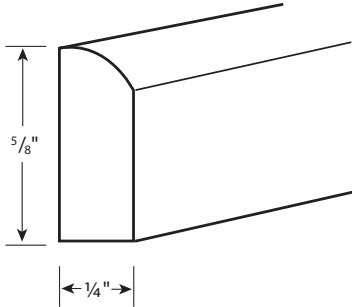
**84", 90", & 96" HIGH  
X 18", 24", 30", 36" WIDE  
BOOKCASES**

BU1884S BU3084S  
BU1890S BU3090S  
BU1896S BU3096S

BU2484S BU3684S  
BU2490S BU3690S  
BU2496S BU3696S

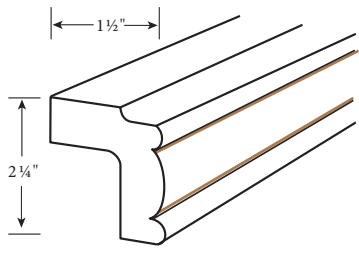
BOOKCASES ARE OFFERED  
THROUGH THE MOD. PROGRAM  
AND EXTEND LEAD TIME  
FINISHED INTERIOR AND  
EXTERIOR IS STANDARD





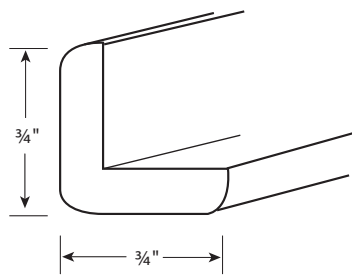
**5/8" SCRIBE MOULDING**

SM8  
8' LONG



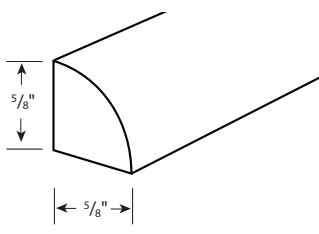
**TRADITIONAL LIGHT RAIL MOULDING**

LRM8  
8' LONG  
TWO GLAZE LINES (FOR GLAZED DOOR STYLES ONLY)  
NOT AVAILABLE IN DALTON GRAY



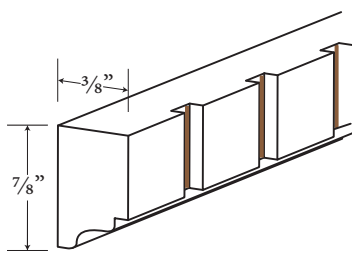
**OUTSIDE CORNER MOULDING**

OCM8  
8' LONG



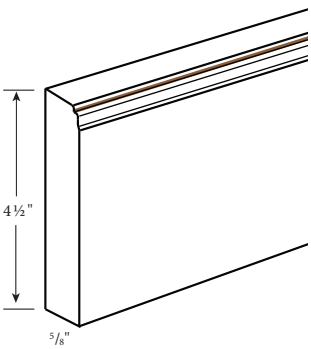
**SHOE MOULDING**

SHOEMLD  
8' LONG



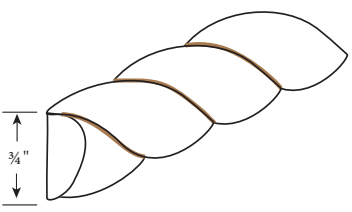
**DENTIL MOULDING**

DMTIS  
8' LONG  
GLAZE IN EACH DADO (FOR GLAZED DOOR STYLES ONLY)  
NOT AVAILABLE IN DALTON GRAY



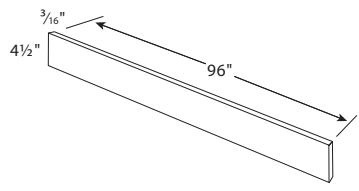
**BASE MOULDING**

BASEMLD  
8' LONG  
ONE GLAZE LINE (FOR GLAZED DOOR STYLES ONLY)



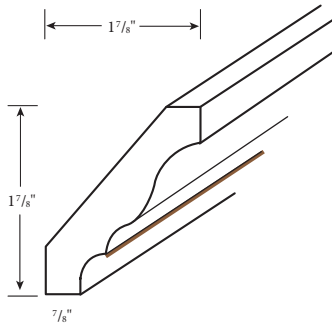
**ROPE MOULDING**

RPIS  
8' LONG  
GLAZE ON ALL ROPE TWISTS (FOR GLAZED DOOR STYLES ONLY)  
NOT AVAILABLE IN DALTON GRAY



**TOE KICK COVER**  
3/16" X 4 1/2" X 96"

TKS8  
8' LONG

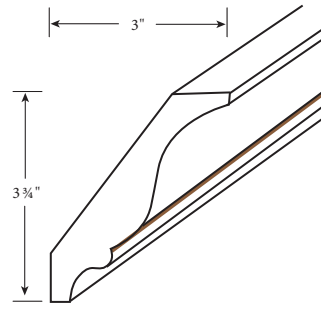


**2 3/4" CROWN MOULDING**

CM8

8' LONG

ONE GLAZE LINE (FOR GLAZED DOOR STYLES ONLY)

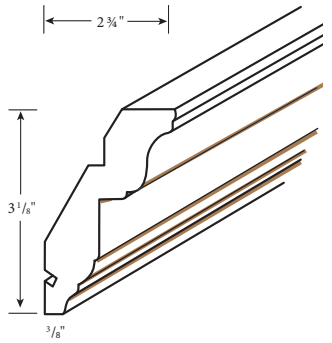


**LARGE CROWN MOULDING**

BCM8

8' LONG

ONE GLAZE LINE (FOR GLAZED DOOR STYLES ONLY)



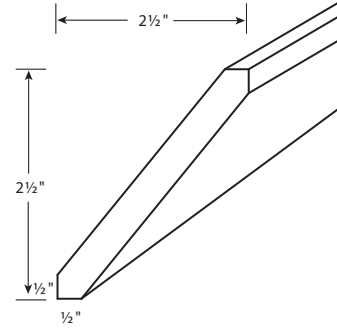
**ROYAL CROWN MOULDING**

RCM4S

8' LONG

FIVE GLAZE LINES (FOR GLAZED DOOR STYLES ONLY)

NOT AVAILABLE IN DALTON GRAY

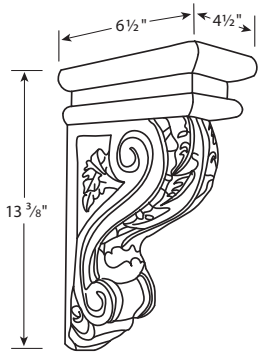


**SHAKER CROWN MOULDING**

SHAKERCROWN

8' LONG

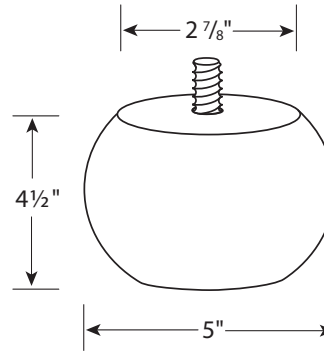
CHECK STOCK SHEET FOR AVAILABILITY



**LARGE CORBEL**

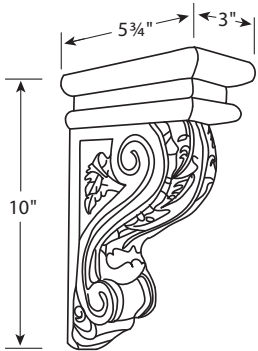
LCOR14

UNGLAZED  
 PROFILES MAY VARY SLIGHTLY  
 FROM PICTURE



**BUN FOOT**

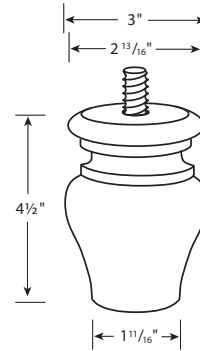
BUNFOOT



**MEDIUM CORBEL**

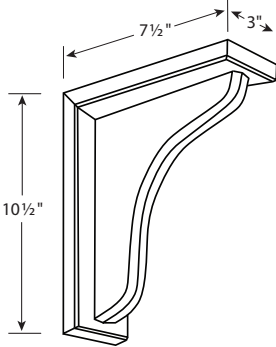
MCOR10

UNGLAZED  
 PROFILES MAY VARY SLIGHTLY  
 FROM PICTURE



**TULIP BUN FOOT**

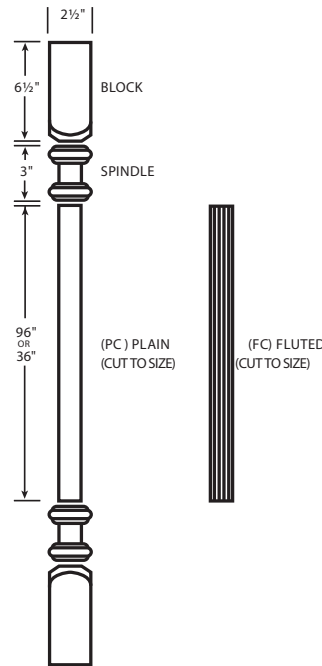
TULIPBUNFOOT



**PLAIN CORBEL**

PLCOR

UNGLAZED  
 PROFILES MAY VARY SLIGHTLY  
 FROM PICTURE



**COLUMN PILASTERS  
 INDIVIDUAL PARTS**

BLOCK

SPINDLE

PC36

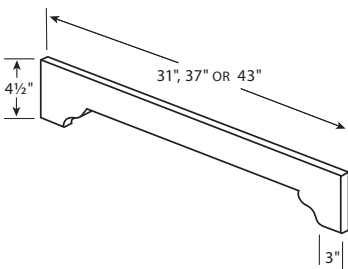
PC96

FC36

FC96

PILASTERS ARE ROUND AND  
 MUST BE CUT FOR APPLIQUE  
 APPLICATIONS.

DIAMETER OR PILASTER IS 1 1/2".  
 BLOCK SPINDLE AND COLUMNS  
 ARE NOT GLAZED

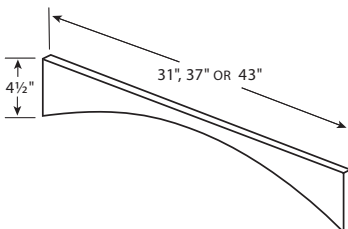


**BECKONY VALANCE**

V31D

V37D

V43D

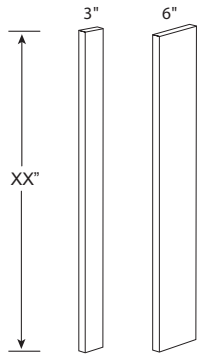


**ARCHED VALANCE**

V31E

V37E

V43E



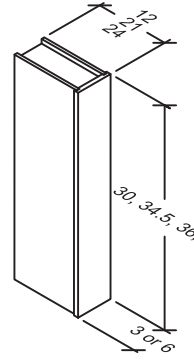
**3" FILLER**  
3/4" X 3" X XX"

F330 F342  
F336 F396

**6" FILLER**  
3/4" X 6" X XX"

F630 F642  
F636 F696

STANDARD FINISH INCLUDES ONE FACE AND TWO SIDES



**COLUMN BOX FILLER**

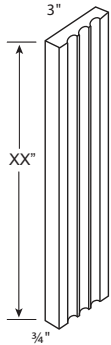
3" OR 6" WIDE  
X 12", 21", OR 24" DEEP  
X 30", 34 1/2", 36", OR 42" HIGH

CBF33012 CBF63012  
CBF33412 CBF63412  
CBF33612 CBF63612  
CBF34212 CBF64212  
CBF39612 CBF69612

CBF33021 CBF63021  
CBF33421 CBF63421  
CBF33621 CBF63621  
CBF34221 CBF64221  
CBF39621 CBF69621

CBF33024 CBF63024  
CBF33424 CBF63424  
CBF33624 CBF63624  
CBF34224 CBF64224  
CBF39624 CBF69624

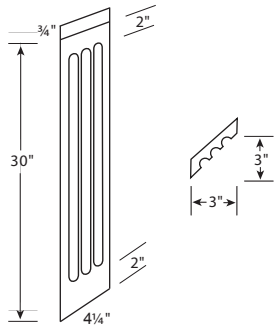
COLUMN BOXES ARE OFFERED THROUGH THE MODIFICATIONS PROGRAM AND EXTEND LEAD TIME  
FRONT FILLER EXTENDS 1/4" ON EACH SIDE OF BOX



**FLUTED FILLER**  
3/4" X 3" X XX"

F330F F342F  
F336F F396F

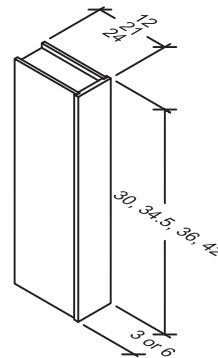
THREE FLUTES RUN THE LENGTH OF THE FILLER  
GLAZED FLUTES ON GLAZED DOOR STYLES ONLY



**ANGLED FLUTED FILLER**  
3/4" X 4 1/4" X 30"

AFF330

THREE FLUTES RUN THE LENGTH OF THE FILLER BEGINNING 2" IN FROM EITHER END  
GLAZED FLUTES ON GLAZED DOOR STYLES ONLY



**COLUMN BOX FLUTED FILLER**

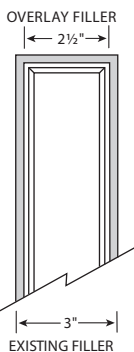
3" WIDE  
X 12", 21", OR 24" DEEP  
X 30", 34 1/2", 36", OR 42" HIGH

CBF33012F  
CBF33412F  
CBF33612F  
CBF34212F  
CBF39612F

CBF33021F  
CBF33421F  
CBF33621F  
CBF34221F  
CBF39621F

CBF33024F  
CBF33424F  
CBF33624F  
CBF34224F  
CBF39624F

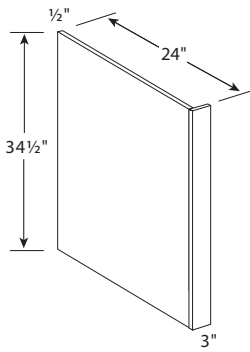
NOTE: COLUMN BOXES ARE OFFERED THROUGH THE MODIFICATIONS PROGRAM AND EXTEND LEAD TIME



**OVERLAY FILLER**

SEE ORDER FORM FOR AVAILABLE SIZES

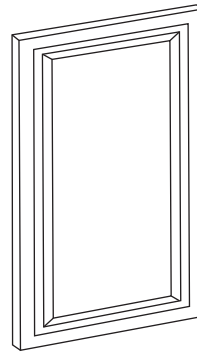
MATCHES DOOR AND DRAWER REVEAL



**BASE END PANEL**

DWR3 (REVERSIBLE)

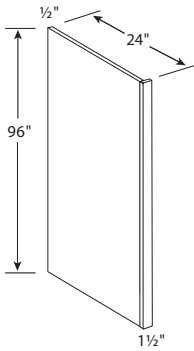
FRONT FILLER EXTENDS 1/4" ON FINISHED SIDE OF PANEL



**END PANEL DOORS**

- WEP1230 12" X 30"
- WEP1236 12" X 36"
- WEP1242 12" X 42"
- WEP2430-1 24" X 30"

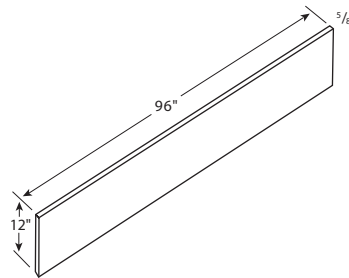
WEPS MATCH DOOR  
 REVEALS - 1/2" LESS WIDTH AND 1 1/4" LESS HEIGHT  
 SPECIFY FINISHED END ON CABINET SIDE THAT IS RECEIVING WEP



**REFRIGERATOR END PANEL**

REP (REVERSIBLE)

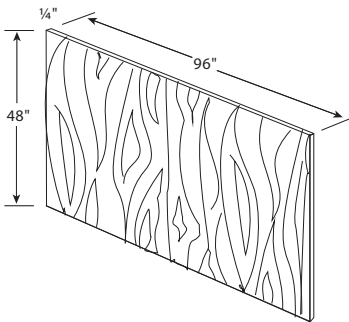
FRONT FILLER EXTENDS 1/4" ON FINISHED SIDE OF PANEL



**SHELF MATERIAL**

12" X 96" X 1/4"

NATURAL BIRCH VENEER OR FINISHED TO MATCH DOOR COLOR  
 ONE LONG EDGE BANDED

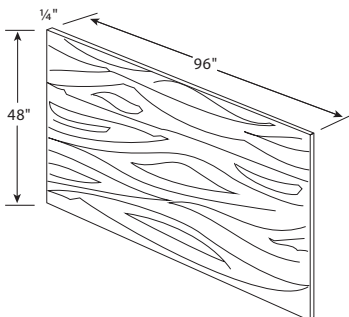


**SHORT GRAIN PANEL**

48" X 96" X 1/4"

BP96X48SG

NOT AVAILABLE IN PAINTED DOOR STYLES



**LONG GRAIN PANEL**

96" X 48" X 1/4"

BP48X96LG