



| How RiverRun Cabinetry Compares . . . |
|--|
| 1/2" Hardwood Construction |
| Natural Birch Plywood Interiors |
| Near- Flush Finished Ends (Option) |
| All Full Overlay Door Styles |
| 7 - Five Piece MDF Painted Doors, All Reversed Raised or Raised Panel |
| KCMA Performance Certified |
| Numerous Paint and Stain Options - "All the Right Colors" |
| Soft-Close, 6-way Adjustable Hinges - Standard |
| Dovetail Drawers with Full-Extension, Soft-Close Slides - Option |
| Customization - Depth, Extended Stiles, Pipe Chase, Finished Interiors |
| Popular Accessories with Install Options |
| Many Specialty SKU's |
| Weekly Cycle Ship Deliveries |
| Delivered Floor Loaded, on Dedicated Cabinet Delivery Trucks |
| User-Friendly Spec Book and Easy Online Ordering System |
| 2020 Design Catalog |
| ProKitchen Catalog |
| 2020 Design KIT File Order Process Option |
| Experienced Customer Service Team and Factory Support |
| Display and Sample Programs |
| Special Programs for Multi-Unit Projects |
| 10-Year Limited Warranty |

RiverRun Cabinetry is a privately held manufacturer based in Mt Crawford, VA. RiverRun provides cabinetry for every application in your customers' homes at extremely competitive pricing. The Secret: Our components are bulk purchased controlling our pricing and quality. To learn more about RiverRun Cabinetry check out our website: riverruncabinetry.com and join a winning team.



TABLE OF CONTENTS

RiverRun Cabinetry

General Info GENERAL INFORMATION

- **Team Directory** GI-1
- **Getting Started** GI-3
 - New Account Set-Up GI-3
 - Dealer Site Registration GI-3
 - Online Order Site Access GI-3
 - Customer Service Contact Information GI-3
- **Step-By-Step Order Process** GI-4
- **Placing Orders**
 - Online Ordering GI-5
 - Emailing 2020 Design (KIT) Files GI-5
 - Design Software Options GI-5
 - Expedited Orders GI-5
 - Cancellation Policy GI-6
- **Shipping Program Information**
 - Cycle Ship Program GI-7
 - Calculating Freight Costs (LTL / Non-Cycle Ship) GI-7
 - Shipping Address Changes GI-7
 - Registering New Ship To Locations GI-8
 - Carriers GI-8
 - Pick Ups GI-8
 - Missed Deliveries GI-8
 - Missing Item From Delivery/Shipment GI-8
- **Damages & Warranties**
 - Damage Program GI-9
 - Damage Replacement Process GI-9
 - Warranty Program GI-9
 - Warranty Replacement Process GI-9
- **Ten Year Limited Warranty** GI-10

Specs & Finishes CABINET SPECS & FINISHES

- **General Product Notes** SF-1
- **Standard Materials and Construction Information** SF-2
- **Wall Cabinet Construction** SF-3
- **Base Cabinet Construction** SF-4

(continued on next page)

CABINET SPECS & FINISHES *(continued)*

- **Door Styles & Finishes Availability** SF-5
 - Parkview Doors SF-6
 - Jefferson Doors SF-6
 - Cambridge Doors SF-7
 - Dalton Doors SF-7
 - Hampton & Lenox Chestnut Doors SF-8
- **Door Sizes** SF9 - 11
- **Drawer Front Sizes** SF-12

Custom Made
CUSTOM MODIFICATIONS

- **Modification Descriptions & Images** CM1 - 6
 - Reduced Depth (RD) CM-1
 - Increased Depth (ID) CM-1
 - Recess Toe Kick on Right or Left or Back (BTKR or L or B) CM-1
 - Recess Toe Kick on Right and Left (BTKRL) CM-1
 - Toe Kick Removed (BTKN) CM-2
 - Add Toe Kick to Wall with Toe Kick Space at Front Only (WTKF) CM-2
 - Add Toe Kick to Wall with Toe Kick Space to Right or Left (WTKR or L) CM-2
 - Add Toe Kick to Wall with Toe Kick Space to Right and Left (WTKRL) CM-2
 - Add Toe Kick to Wall with Toe Kick Space to Front and Right or Left (WTKFR or L) CM-2
 - Add Toe Kick to Wall with Toe Kick Space to Front, Right and Left (WTKFRL) CM-3
 - Face Frame, Drawer Front and Door Only (TP) CM-3
 - Case Only (CO) CM-3
 - No Doors (OMITDOORS) CM-3
 - Finished Interior (FI) CM-3
 - Finished Interior Tall (FIT) CM-4
 - Pipe Chase Cut-Out on Right or Left Corner (PCR or L) CM-4
 - Pipe Chase Cut-Out on Middle (PCM) CM-4
 - Install Extended Stile on Right or Left (ESR or L) CM-4
 - Install Extended Stile on Right and Left (ESRL) CM-4
 - Peninsula Cabinet (PN) CM-5
 - Wall End Panels (WEP) & Base End Panels (BEP) Factory Installed CM-5
 - Install Full Depth Shelf (FDS) CM-5
 - Prep For Glass (PG) CM-5
 - Reversed Base Cabinet Drawer (BD) CM-5
 - Finished Ends CM-6
 - Convert 2 Drawers to 1 Drawer (IDRW) CM-6
- **Summary Modifications & List Prices** CM-7

(continued on next page)

Walls
WALL CABINETS

- Wall Cabinets W1 - 4
- Corner Wall Cabinets W5 - 6
- Blind Wall Cabinets W6 - 7
- Specialty Wall Cabinets W8 - 10
- Mullion Doors W-11
- Wall End Panels W-12
- Wall End Panel Kits W-12

Bases
BASE CABINETS

- Base Cabinets B1 - 2
- Sink Base Cabinets B2 - 3
- Base Microwave Cabinet B-3
- Drawer Base & Easy Reach Cabinets B-4
- Blind Base Cabinets B-5
- Specialty Base Cabinets B-6
- Base End Panel B-7
- Base End Panel Kit B-7

Vanities
VANITY CABINETS

- Vanity Base Cabinets V1 - 3

Talls
TALL CABINETS

- Utility Cabinets T-1
- Double Oven Cabinet T-2
- Bookcases T3 - 4

Accessories
ACCESSORIES

- Mouldings & Accents - Decorative Accents A1 - 2
- Crown Mouldings A-3
- Mouldings & Accents - Decorative Accents A4 - 5
- Fillers A5 - 7
- Panels & Skins A7 - 8
- Shelving A-9
- Toe Kick Cover A-9
- Roll Out Trays A-10
- Pilaster Kits A-10

(continued on next page)

ACCESSORIES *(continued)*

- **Accessories - Installed**A11 - 13
 - Lazy SusansA11 - 12
 - Tilt Out Trays A-12
 - Utensil Organizers & Cutlery TraysA12 - 13
 - Spice Organizers A-13
 - Waster Containers A-13
- **Accessories - Not Installed**A14 - 17
 - Chrome Tray Dividers A-14
 - Base Drip Tray A-14
 - Wall Filler Pull-OutsA14 - 15
 - Base Filler Pull-OutsA15 - 16
 - Repair ItemsA16 - 17
- **Osborne Wood Products Program** A-18

Forms
FORMS

- Replacement Form (Damage/Warranty) F-1
- Showroom Display Program & Agreement F-2
- Email Registration F-3



TEAM DIRECTORY

GENERAL INFORMATION

| <u>NAME</u> | <u>TITLE/RESPONSIBILITY</u> | <u>EXT</u> | <u>EMAIL</u> |
|---------------------|--------------------------------------|--------------|---------------------------------------|
| Customer Service | General Inquiries | 540-438-5973 | CustomerService@RiverRunCabinetry.com |
| Damage/Warranty | Damage/Warranty Inquiries | | Damages@RiverRunCabinetry.com |
| Order Inquiries | (for items not on Online Order Site) | | Order@RiverRunCabinetry.com |
| 2020 Kit File Order | Submitting 2020 KIT files/orders | | 2020Order@RiverRunCabinetry.com |

CUSTOMER SERVICE

| | | | |
|----------------|--------------------------|-----|---------------------------------|
| Ken Hollihan | Customer Service Manager | 314 | KHollihan@RiverRunCabinetry.com |
| Autumn Ritchie | Customer Service Rep | 453 | ARitchie@RiverRunCabinetry.com |
| Rebecca Davis | Customer Service Rep | 463 | RebeccaD@RiverRunCabinetry.com |
| Tasia Teele | Customer Service Rep | 452 | TTeele@RiverRunCabinetry.com |

SHIPPING & PRODUCTION

| | | | |
|--------------|--------------------|-----|--------------------------------|
| Jim Miller | Shipping Dispatch | 323 | JMiller@ClassicDistribution.us |
| Tommy Miller | Production Manager | 455 | TMiller@ClassicDistribution.us |

ACCOUNTING

| | | | |
|---------------|---------------------|-----|--------------------------------|
| Dwight Blakey | Accounts Receivable | 430 | DBlakey@ClassicDistribution.us |
|---------------|---------------------|-----|--------------------------------|

SALES & MARKETING

| | | | |
|-----------------|------------------------|-----|-----------------------------------|
| Jeff Diener | National Sales Manager | 100 | JDiener@RiverRunCabinetry.com |
| Carol Swinehart | Marketing Manager | 433 | CSwinehart@ClassicDistribution.us |



GETTING STARTED

RiverRun Cabinetry

NEW ACCOUNT SET-UP

- Once your dealer application has been reviewed and approved, you will receive an email notification providing instructions for logging into our Online Order Site and registering for the Dealer site.
- **Please Note:** The Online Order site is different than the Dealer site with different logins and web addresses. (See below)

DEALER SITE - www.riverruncabinetry.com/dealer-login

- The Dealer site is where you will access the current 2020 Design catalog, updates for the sales binder, promotions, etc.
- Once your account has been approved and you receive a dealer account number by email, you can register for the Dealer Site. This is where you can access updates for the sales binder along with other useful sales aids, 2020 Design Catalog, promotions, etc. To register...
 - Visit <https://www.riverruncabinetry.com/dealer-login/>
Go to, "Are you a new RiverRun Dealer? Register for the RiverRun Dealer Website here."
 - Enter your Dealer Account Number (found in your welcome email) when registering. You can register multiple user names and passwords for your company as long as each person uses your designated Dealer Account Number and each one is associated with a different email address.
 - Once activated, use your user name and password to login:
<https://www.riverruncabinetry.com/dealer-login/>

ONLINE ORDER SITE - orders.riverruncabinetry.com

- The Online Order site is where you will create quotes and submit orders.
- Once your dealer application has been approved, you will receive a welcome email with your user name and password to log into the Online Order Site. See the ORDER PROCESS section of the binder for additional information about placing orders and using this site.

CUSTOMER SERVICE CONTACT INFO:

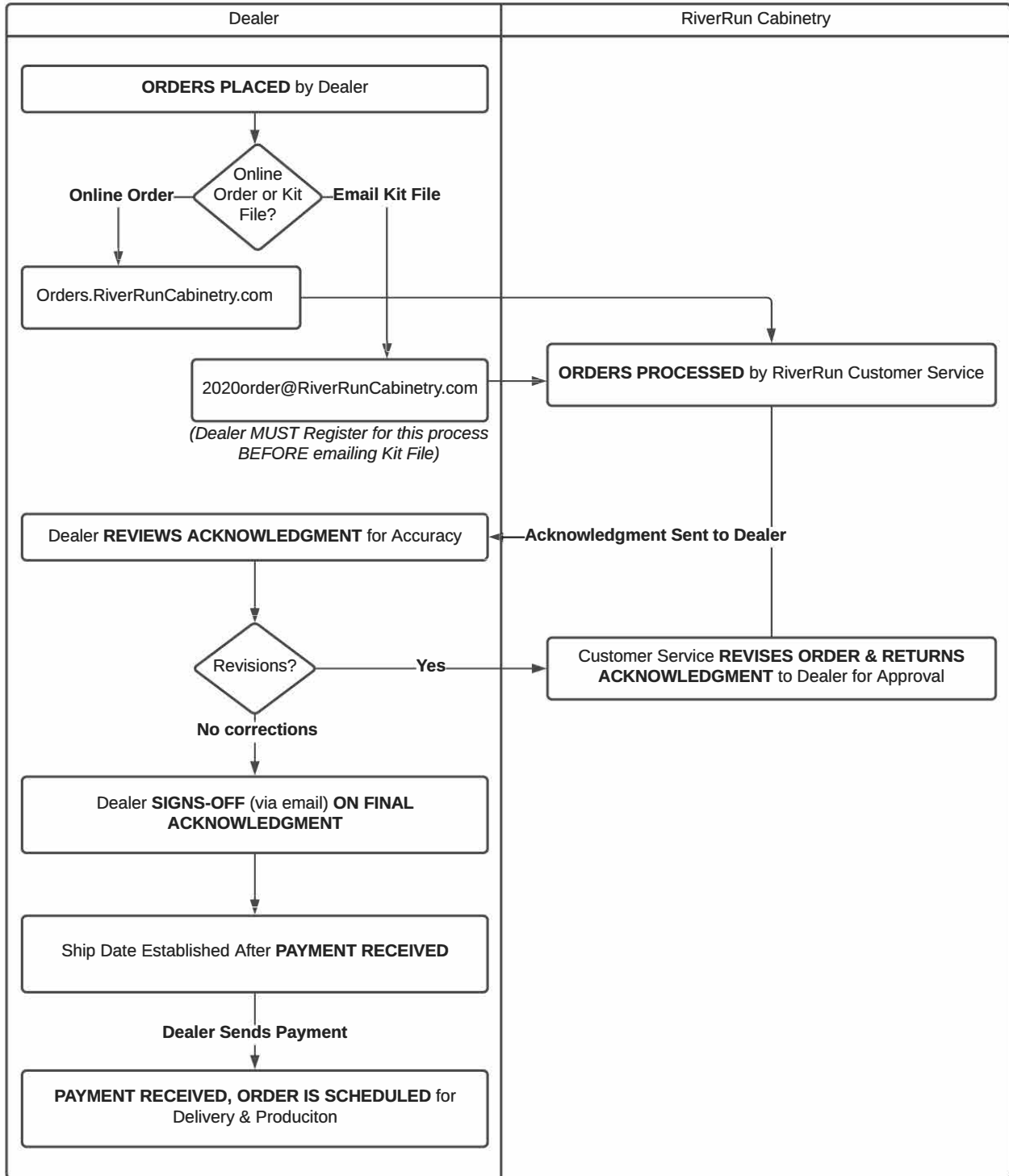
Phone: 540-438-5973

Email: CustomerService@RiverRunCabinetry.com

Order Email: Order@RiverRunCabinetry.com

(Use this email address to contact Customer Service regarding any RiverRun order.)

STEP-BY-STEP ORDER PROCESS





PLACING ORDERS

RiverRun Cabinetry

ONLINE ORDERING

- Visit: orders.riverruncabinetry.com
- This new Online Order Site was launched in early Sept. 2021, to work seamlessly with our new ERP system, 2020 Insight, and the 2020 Design software.
- First time users of the new site, **MUST** click “register here” before logging in. Old accounts from the previous site will not work. Your DEALER CODE is needed to complete the registration form. (The Dealer Code is the Username from the old Online Order site and was emailed to the dealer when the account was originally set up.) Contact Customer Service if you do not have your Dealer Code.
- A *Quick Start Reference Guide* (PDF), located on the Dealer site, is a helpful tool to guide you through the new Online Order site.

EMAILING 2020 DESIGN (KIT) FILES

- Dealers need to email Carol Swinehart at cswinehart@classicdistribution.us the following information on each person/designer that will be sending 2020 KIT files as RiverRun orders:
 - Name (First and Last)
 - Email address
 - Company Name
- RiverRun staff will set up these contacts to be able to place orders. Dealers will be notified when they are able to place their first order, via their 2020 KIT file.
- Designers must use the most recent RiverRun/2020 Design catalog available. See the Dealer site for the most recent catalog.
- Approved dealers should send 2020 KIT file orders to: 2020order@riverruncabinetry.com

DESIGN SOFTWARE OPTIONS

- 2020 Catalog is available on our Dealer site. Go to the 2020 Catalog link in the main menu for a link to the latest catalog.
- ProKitchen Catalog is available on the ProKitchen website at: <https://www.prokitchensoftware.com/prokitchen-online/conf/riverrun>.

EXPEDITE ORDERS

- Depending on current production demands, RiverRun may not be able to expedite orders during certain periods of the year. Contact Customer Service to see if your order can be expedited.
- There is a 30% upcharge for these orders.

CANCELLATION POLICY

- Canceled or modified orders (after approval) will have a 20% restocking fee if not yet shipped.
- Unpaid orders will be canceled after 45 days.
- Returns are not accepted.



SHIPPING PROGRAM

RiverRun Cabinetry

CYCLE SHIP PROGRAM

- This program offers our dealers better service with regular scheduled deliveries on our trucks, fewer shipping damages and reduced shipping costs with a landed multiplier. Contact your Sales Rep or Customer Service to see if you qualify for this program. (Certain restrictions apply.)
- The majority of our dealers use this program as long as they meet the following delivery parameters:
 - Dealers will need to be able to receive delivery from a 70' truck (cab + trailer)
 - Delivery address must be serviced by the customer to unload cabinets off the back of the trailer
 - For Job site delivery needs, please consult Customer Service for available options.
- Current Cycle Ship Programs include the following areas (subject to change):
 - Local - Harrisonburg area
 - VMD - VA, MD, DE
 - Northeast - eastern PA, NJ, NY, CT, RI, MA, VT, NH
 - Southeast - NC, SC, GA, FL,
 - Prairie - southern WV, KY, TN, IL, southern WI, IA, MO, NE, KS, eastern CO
 - Midwest - MI, OH, western PA
- \$250 additional charge for all deliveries to metro NYC (NY, NJ, LI)
- For orders under \$1,000 an additional \$100 cycle ship fee will be added to your freight costs by Customer Service after the order is placed. You can avoid this fee by either adding items to this order or placing another order for delivery at the same time.
- Freight Surcharges may be added to all orders (including pick-up) to cover inbound freight costs

CALCULATING FREIGHT COSTS FOR LTL SHIPMENTS (NON-CYCLE SHIP ORDERS)

- For dealers unable to use our Cycle Ship Programs, a freight grid will be created for you when your account is set up. Freight costs are based on the weight of your order and its destination.
- Customer Service will calculate orders that weigh less than 500 lbs or greater than 3000 lbs.

SHIPPING ADDRESS CHANGES

- Changes to a shipping address after order confirmation will result in possible shipping delays and administrative fees.

REGISTERING NEW SHIP TO LOCATIONS

- Contact Customer Service to set up new Ship To addresses. Please allow at least two business days for new addresses to be approved and set up in your account.
- If you are shipping to a new address that has not yet been approved, Customer Service will calculate the freight costs after you submit the order and will bill freight separately.
- Please notify Customer Service if ship to addresses require any of the following services. (LTL companies may charge higher fees on site, direct to you, if these are not noted prior to delivery.) RiverRun will invoice customers for any accessorial fees incurred at time of shipment. Unpaid fees will result in a block on the account. Customers should address disputed fees directly with LTL companies.
 - Notification of delivery beyond tracking number
 - Lift gate services (required if you do not have two people to unload cabinets off the back of the truck OR a truck height dock)
 - Residential/limited access area

CARRIERS

- Carriers are selected based on the most economical rates. If you wish to choose another carrier, please contact Customer Service.
- Orders will be shipped palletized for LTL shipments only. Be sure to have proper equipment for receiving. This option is not currently available for our Cycle Ship Programs.
- Small items may be shipped via small package carrier. A damage disclaimer may need to be signed. Please check with Customer Service. Single assembled cabinets cannot be shipped via a small package carrier.

PICK UPS

- Pick up orders are available and must be picked up with 24 hours of the availability date.
- Orders not picked up within the 24 hour time frame are subject to storage and handling fees of \$20 per pallet per day.

MISSED DELIVERIES

- Refused orders or missed deliveries will be charged a minimum of \$250 re-delivery fee.

MISSING ITEM(S) FROM DELIVERY/SHIPMENT

- In the event that you have a missing item(s) from a delivery, please notify Customer Service of the missing item(s) using the Replacement form found in the back of this Sales Binder or located on the Dealer website. Email the completed Replacement form to [damages@riverruncabinetry.com](mailto:damage@riverruncabinetry.com)
- Missing item(s) must be reported within 15 days of delivery.



DAMAGES & WARRANTIES

River Run Cabinetry

DAMAGE PROGRAM

- In the event that you have a damaged or warranty item, we will take the most expeditious measures to replace the damaged parts.
- Your prompt response to the damage order confirmation request will keep the order moving as quickly as possible. All damages/warranties require approval of order acknowledgement. Orders will not be processed without written approval confirmation.
- Shipping damage must be reported within 15 days.

FOR DAMAGED REPLACEMENTS

- Please check the cabinet/parts before installation as we will not replace the case after it has been installed.

Process to replace a damaged cabinet/part:

- 1) Email a completed Damage/Warranty Replacement Form to damages@riverruncabinetry.com and photo(s) of damage. This information is critical for reimbursement, processing, and development of future preventative measures. (The form can be found in the "forms" section of this binder and electronically on the Dealer Site.)
- 2) Do not use, destroy or discard the damaged item as it is the property of the freight carrier. It is required that the item be available for the shipping company to retrieve. They will contact you to arrange for pickup. If the carrier is unable to reclaim the part, you will be charged for the replacement.

WARRANTY REPLACEMENT PROGRAM

- In the event that you have a warranty item, we will take the most expeditious measures to replace the warranty parts.
- Your prompt response to the warranty order confirmation request will keep the order moving as quickly as possible.

FOR WARRANTY REPLACEMENTS

- Please check the cabinet/parts before installation as we will not replace the cabinet/part after it has been installed.

Process to replace a warranty cabinet/part:

- 1) Please review our warranty.
- 2) Email a completed Damage/Warranty Replacement Form to damages@riverruncabinetry.com. This information is critical for determining warranty qualification and development of future preventative measures. (The form can be found in the following pages and electronically on the Dealer Site.)
- 3) Replacement forms must include a picture in order for a replacement to be sent at no charge.

Ten Year Limited Warranty

All of our cabinets are warranted to the original purchaser for ten years after the purchase date. We guarantee the original purchaser that all parts and components are free from defects in material and workmanship under normal use. (Defects are defined as any imperfection that may prohibit the proper use of the cabinets.) This warranty applies to the original cabinet purchaser only and is non-transferable.

As with other natural materials, wood is affected by environmental factors such as natural and artificial lighting. Darkening or mellowing of the wood can be expected and is a natural process of wood as it ages. Each wood specie also exhibits its own distinctive patterns and characteristics which add to its natural beauty. These variations in color and characteristics are not considered imperfections or defects. This warranty does not cover the natural aging and darkening of wood color nor does it apply to the inherent growth characteristics of wood. Color variations and color softening in cabinets are a natural occurrence due to species, age, character of cabinets, and exposure to UV light and sunlight. These changes are not valid reasons for replacements under warranty claims.

Extreme temperatures and humidity levels in homes may cause the shrinking and swelling (this change is usually more in width than height), or warping of materials, which are out of the control of RiverRun Cabinetry and are not covered under warranty. Do not install in new constructions until humidity and temperatures are controlled. Cabinet doors that warped must be allowed to hang through one seasonal heating cycle before replacement will be considered under this limited warranty.

- A twist or warp up to ¼" shall not be considered a defect for warranty replacement. Door sizes have a tolerance of (+ or -) ⅓₂".

Product used for commercial purposes is excluded. Not covered under this warranty are cabinets showing normal wear and tear; cabinets that were improperly stored or installed, improperly assembled or disassembled, intentionally damaged, misused, or exposed to the elements; cabinets that have defects due to excessive moisture, accidents or negligence; and cabinets that have been changed or modified in any way.

RiverRun Cabinetry does not warrant the installation of "stand alone" or independent cabinets in widths greater than thirty-six inches and depths greater than twelve inches. All cabinets regardless of design dimension or shape must be affixed to "studs," permanently fastened to interior wall, floor or ceiling joists attached to permanent structures (i.e. interior partition wall or floor). IMPORTANT: Structural modification of a wall cabinet can significantly weaken the cabinet. For this reason modification are not recommended, if a modification is required, the warranty of the cabinet is void and it is the responsibility of the installer to take appropriate steps to compensate for any loss of strength or support due to the modification.

This warranty is expressly limited to the replacement of the defective component parts at our discretion. Our liability is expressly limited to the cost of the material for the replacement of defective goods. We may elect to replace the product with a product of equal value and complementary style if the original style is no longer available. Due to the aging process of natural wood, RiverRun Cabinetry cannot guarantee an exact match between the finish of the existing product and its replacement.

In no event are we liable for incidental, indirect, or consequential damages resulting from the use of our cabinets. This warranty does not cover the cost of installation, removal, subsequent damage or transportation of the defective product regardless of whether the work was performed by a contractor, service company, or consumer.

Some states do not allow limitations on how long an implied warranty may last or the exclusion and/or limitations of incidental and/or consequential damages. Therefore the above limitations may not apply. This warranty allows specific rights that may vary from state to state. Any claims made under this warranty must be presented in writing with a Replacement Form and accompanied by photographs of defective material.



CABINET SPECS & FINISHES

RiverRun Cabinetry

GENERAL PRODUCT NOTES

DOOR STYLES, COLORS AND PRICE GROUPS:

| PRICE GROUP 1 | PRICE GROUP 2 | PRICE GROUP 3 | PRICE GROUP 4 | PRICE GROUP 5 | PRICE GROUP 6 | PRICE GROUP 7 |
|---------------|---------------|-----------------|-----------------|---|------------------|---------------|
| | | Parkview (slab) | Cambridge (5pc) | Hampton (5pc) | Jefferson (slab) | |
| | | | Dalton (5pc) | Lenox (<i>retiring, limited SKUs</i>) | | |

PRICE GROUPS FOR ACCESSORIES:

| PRICE GROUP 1 | PRICE GROUP 2 |
|---------------|---------------|
| Stains | Paints |

PRODUCT SPECIFICATIONS / NOTES

- RiverRun Cabinetry provides a broad selection of cabinet sizes and accessories.

DOOR CLEARANCE

- As with all full overlay door styles, clearance of doors and drawers must be taken into consideration during the design process to assure proper operation of all doors, drawers and roll out trays.

SINGLE DOOR CABINET HINGING

- Using the Online Order System, please select hinge left or hinge right on single door cabinets.

CABINET SIZES

- All wall cabinets are 12" deep unless otherwise specified.
- All base cabinets are 34½" tall and 24" deep.
- All vanity cabinets are 34½" tall and 21" deep.

TOE KICK MATERIAL

- All cabinets with a toe notch require ¼" x 4½" high, toe kick material. This needs to be ordered in addition to the cabinetry.

In keeping with a policy of continuous refinement, RiverRun Cabinetry reserves the right to alter specifications without general notice or obligation to make similar changes in previously produced product.

STANDARD PRODUCT MATERIALS

CASE

- Standard face frames are traditional construction and are ¾" thick with 1½" stiles and rails made of solid wood.
- End panels are ½" thick plywood. Interiors include a clear coat finish and exteriors have a natural finish, both with option to add a finished skin.
- Shelves are ¾" thick balanced veneer core plywood, sealed with a clear-coat and are adjustable and front edge banded.
- Backs are ½" thick plywood to allow multiple locations for installation. Base cabinet backs extend to the floor providing optimal structural stability.
- Toe kick is recessed 4" and is 4½" high.

DRAWERS AND GLIDES

- EuroBoxes come standard with ⅝" thick hardwood plywood with drill and dowel construction. Optional upgraded dovetail drawer boxes are also available. Both drawer box options are UV clear-coated on all sides.
- Bottoms are fully captured plywood on the EuroBox and the upgraded dovetail box.
- Glides are under mounted full-extension and soft close on both drawer options.

HINGES

- Integrated soft-close hinges are standard for all door styles.

REVEALS

- Wall cabinet doors have a ¼" reveal on bottom and sides. The top reveal is 1" for moulding installation.
- Base cabinet doors have a ¼" reveal on bottom and sides. The top drawer head has a ¼" reveal at the bottom and sides.
- All base cabinets have a 1" reveal on top.

FINISH

- Catalyzed conversion varnish top coat with UV protection is applied to doors, drawers and face frames.

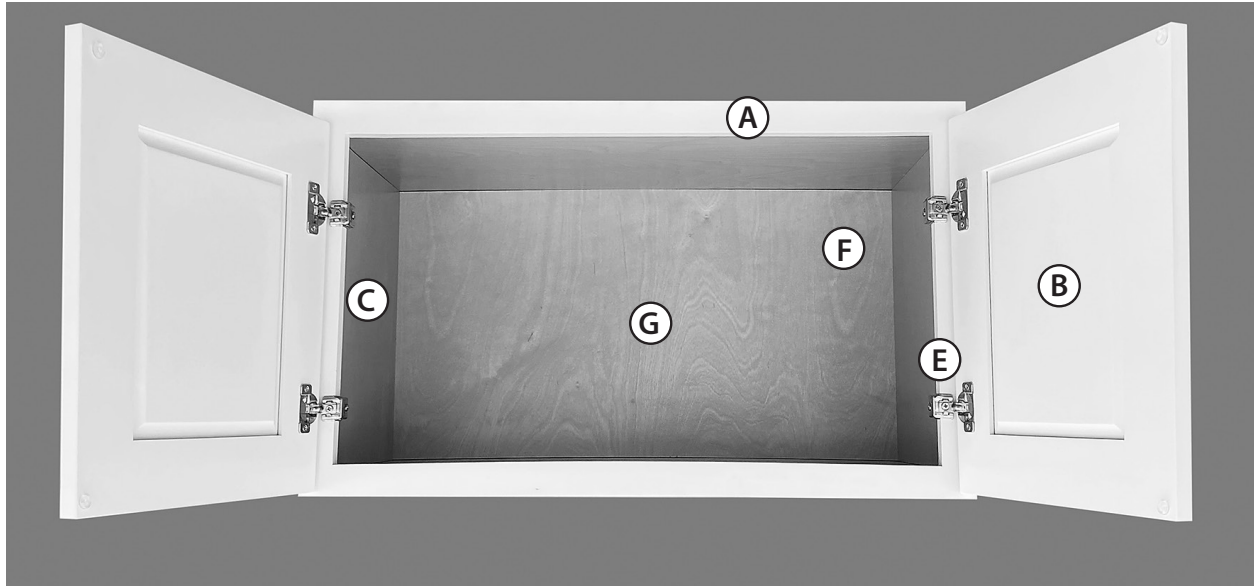
SPECIES/MATERIAL

- Natural Hardwood
- MDF for painted doors, except where noted



WALL CONSTRUCTION

River Run Cabinetry



(A) FACE FRAMES

Constructed from $\frac{3}{4}$ " hardwood. Base and wall frames have $1\frac{1}{2}$ " stiles and rails.

Wall cabinets have a 1" reveal at the top for moulding installation. Bottom and sides have $\frac{1}{4}$ " reveal.

(B) DOORS

Premium full overlay door styles with soft-close door hinges. Stained doors are solid hardwood and painted doors are MDF. (See door specification pages: SF6-8 for details.)

(C) PANELS

Constructed from $\frac{1}{2}$ " plywood with option for finished skins. Ends, tops and bottoms are captured in frame grooves. Backs are captured in end panel grooves.

(D) SHELVES (not shown)

Constructed from $\frac{3}{4}$ " plywood and finished on both sides. Wall shelves are adjustable at $2\frac{1}{2}$ " increments. All secured for shipment with locking shelf clips utilizing $\frac{1}{4}$ " diameter dowel.

(E) HINGES

6-way fully concealed 108° self-closing cup hinges that allow easy height, width, and depth adjustment. Soft-close hinges are standard.

(F) CABINET INTERIOR

Sealed with clear-coat finish. Finished Interior* option may be selected on wall, base and tall cabinets up to 24" deep.

(G) BACKS

For ease of installation, backs are solid $\frac{1}{2}$ " plywood.

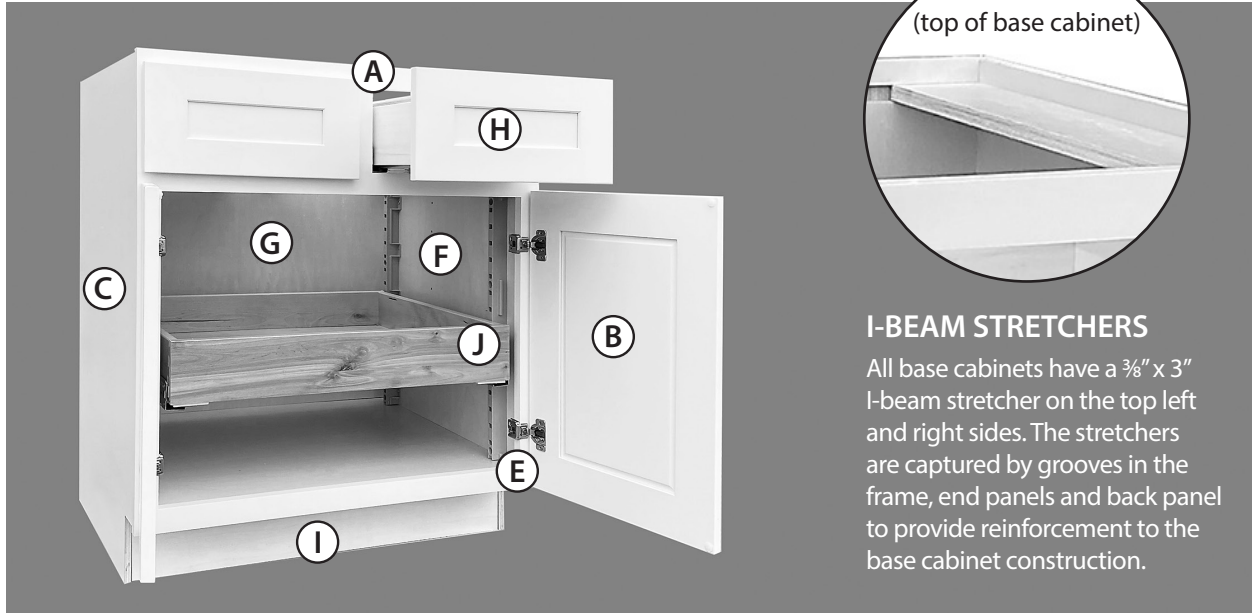
(H*) FINISHED INTERIORS (FI) - optional (not shown)

Cabinet interiors will be finished to match exterior. Shelves in cabinets with Finished Interior option will also be finished to match exterior.



BASE CONSTRUCTION

RiverRun Cabinetry



I-BEAM STRETCHERS

All base cabinets have a $\frac{3}{8}$ " x 3" I-beam stretcher on the top left and right sides. The stretchers are captured by grooves in the frame, end panels and back panel to provide reinforcement to the base cabinet construction.

(A) FACE FRAMES

Constructed from $\frac{3}{4}$ " hardwoods. Base and wall frames have $1\frac{1}{2}$ " stiles and rails. Base cabinets have a 1" reveal at the top. Bottom and sides have $\frac{1}{4}$ " reveal.

(B) DOORS

Premium full overlay door styles with soft-close door hinges. Stained doors are solid hardwood and painted doors are MDF. (See door specification pages: SF6-8 for details.)

(C) PANELS

Constructed from $\frac{1}{2}$ " plywood with option for finished skins. Ends, tops and bottoms are captured in frame grooves. Backs are captured in end panel grooves.

(D) HINGES

6-way fully concealed 108° self-closing cup hinges that allow easy height, width, and depth adjustment are standard.

(E) CABINET INTERIOR

Sealed with clear-coat finish. Finished Interior* option may be selected on wall, base and tall cabinets up to 24" deep.

(G) BACKS

Backs are solid $\frac{1}{2}$ " plywood. Base cabinet backs extend to the floor providing optional structural stability.

(H) DRAWERS

EuroBoxes are $\frac{5}{8}$ " thick hardwood plywood with dowel construction. Option to upgrade to dovetail construction. Both options are clear coated and bottoms are fully captured plywood. Glides are under mount, full extension soft-close.

(I) TOE KICKS

Constructed from $\frac{1}{2}$ " unfinished plywood. They are inset into the cabinet box $3\frac{1}{2}$ " and are $4\frac{1}{2}$ " high. Toe Kick Material (TKS) required to finish the toe kick space.

(J) Roll Out Tray & Pilaster Kit (optional)

EuroBox (standard) or dovetail upgrade option for roll out tray box with undermount glides. Pilasters are installed at each corner of base cabinet (pantries get 2 sets of pilaster kits) with slots for approximate 1" height adjustments.



DOOR STYLES & FINISHES

RiverRun Cabinetry

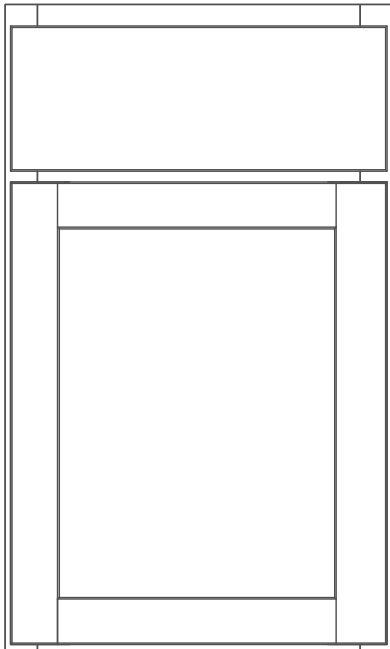
FINISH AVAILABILITY MATRIX

| | | PARKVIEW | JEFFERSON | CAMBRIDGE | DALTON | HAMPTON (without glaze) | LENOX (with glaze) Limited SKUs |
|---------------|-----------|----------|-----------|-----------|--------|----------------------------|---------------------------------------|
| STAINS | Natural | | | | X | | |
| | Smoke | X | X | | X | | |
| | Cocoa | X | X | | X | | |
| | Chestnut | | | | | | X |
| | RiverRock | X | X | | | | |

| | | | | | | | |
|---------------|-------------|--|--|---|--|---|--|
| PAINTS | White | | | X | | X | |
| | Linen | | | X | | X | |
| | Mint | | | X | | X | |
| | Pewter | | | X | | X | |
| | Sage | | | X | | X | |
| | Blue Lagoon | | | X | | X | |
| | Onyx | | | X | | X | |



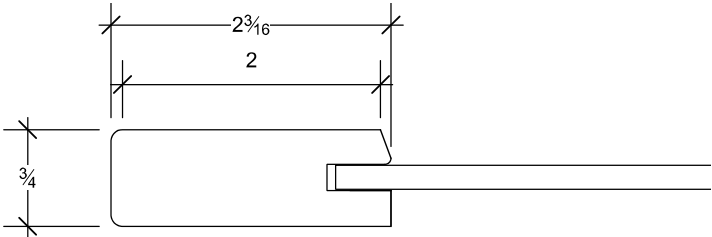
PARKVIEW



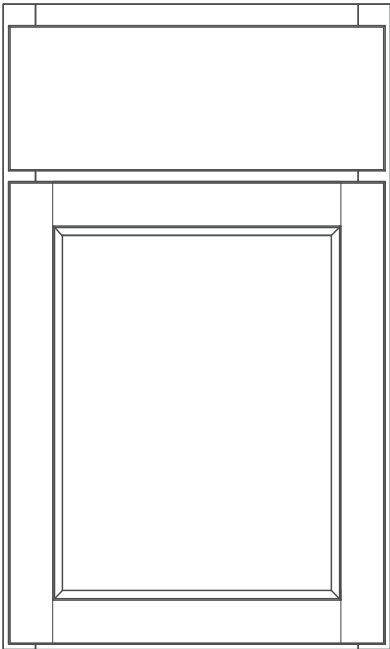
Species: Maple

Construction & Specifications:

- drawer fronts are slab
- available in Cocoa, RiverRock and Smoke
- full overlay door
- 2 3/16" stiles and rails



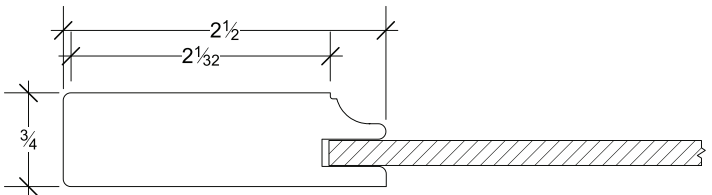
JEFFERSON



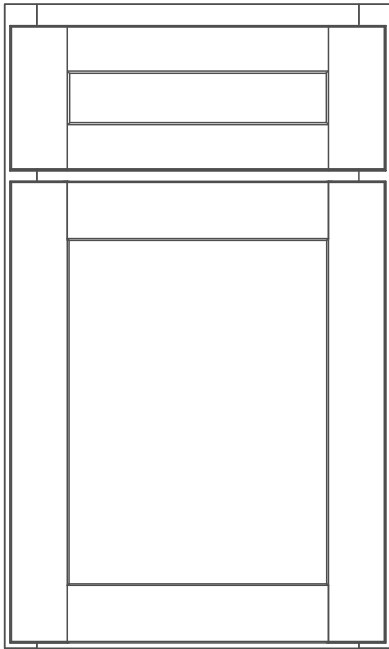
Species: Red Oak

Construction & Specifications:

- drawer fronts are slab
- available in Cocoa, RiverRock and Smoke
- full overlay door
- 2 1/2" stiles and rails
- center panel is 1/4" flat panel veneer



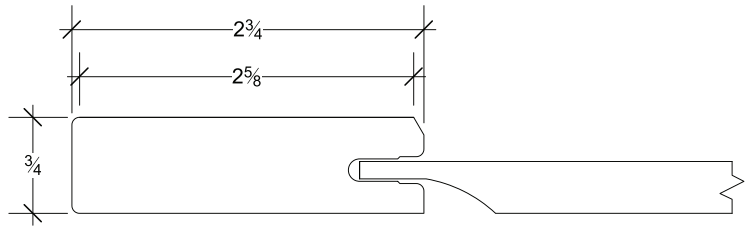
CAMBRIDGE



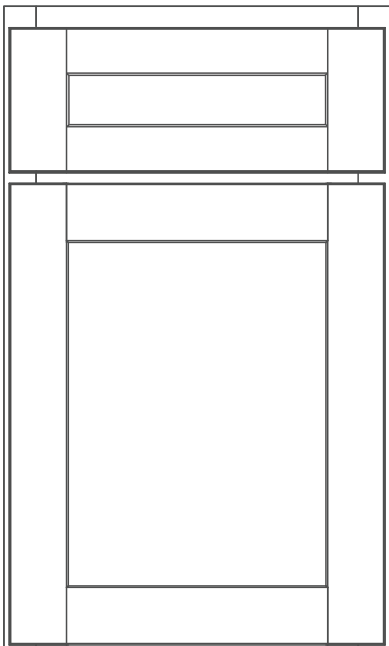
Species: Premium MDF

Construction & Specifications:

- drawer fronts are 5-piece
- available in all paint colors
- full overlay door
- 2 $\frac{3}{4}$ " stiles and rails
- center panel is a solid reversed raised panel



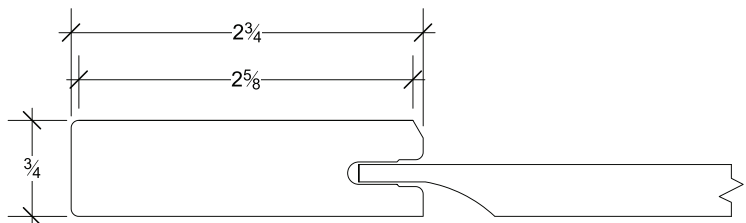
DALTON



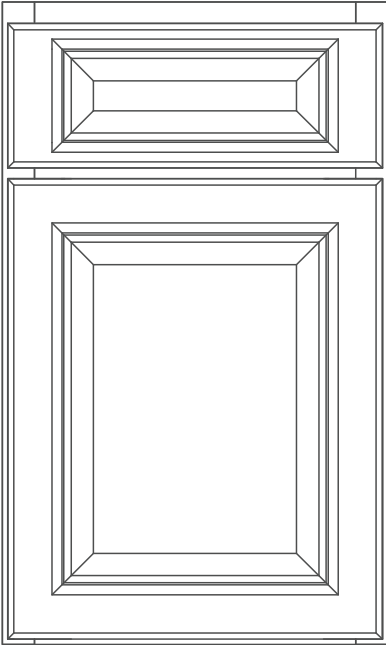
Species: Birch

Construction & Specifications:

- drawer fronts are 5-piece
- available in Natural, Cocoa and Smoke
- full overlay door
- 2 $\frac{3}{4}$ " stiles and rails
- center panel is a solid reversed raised panel



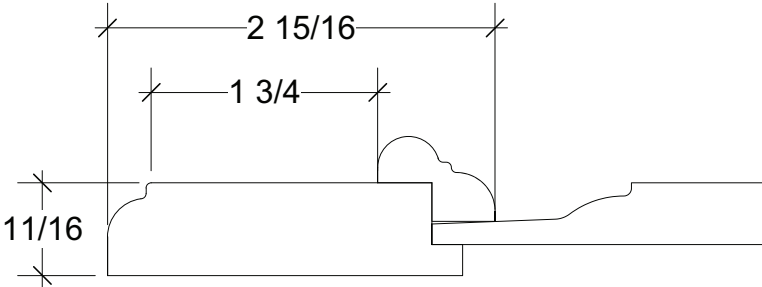
HAMPTON



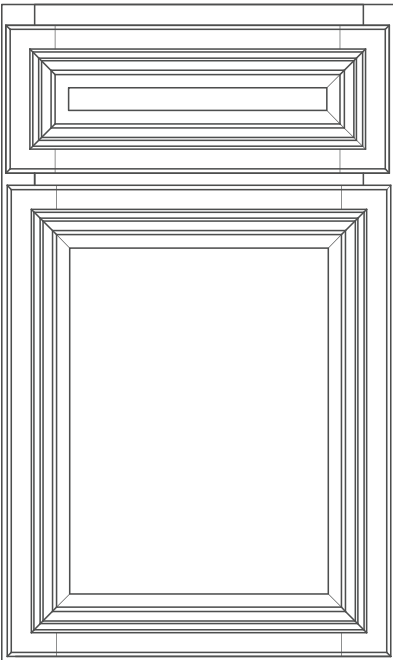
Species: Premium MDF

Construction & Specifications:

- drawer fronts are 5-piece
- available in all paint colors
- full overlay door
- 2¹⁵/₁₆" stiles and rails
- raised center panel



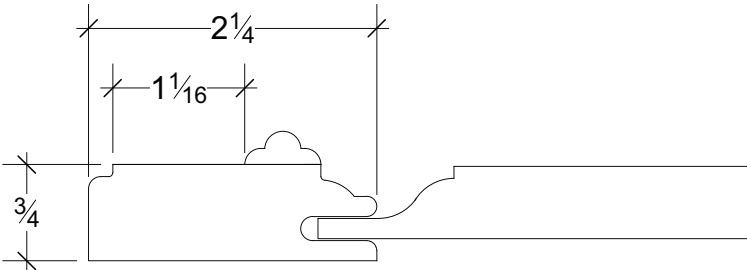
LENOX GLAZED *(retiring, limited SKUs)*



Species: Premium Hardwood

Construction & Specifications:

- drawer fronts are 5-piece
- available in Chestnut stain color
- full overlay door
- 2¹/₄" stiles and rails
- raised center panel





| DOOR SIZE CHART | | | |
|-----------------|--|------------|-------------|
| ITEM NO. | CABINET | DOOR WIDTH | DOOR HEIGHT |
| DR-ER33 | ER33 | 7.8750 | 28.7500 |
| DR-W0930 | W930, B9 | 8.5000 | 28.7500 |
| DR-W0936 | W936 | 8.5000 | 34.7500 |
| DR-W0942 | W942 | 8.5000 | 40.7500 |
| DR-ERCW2415 | ERCW2415 | 10.805 | 13.7500 |
| DR-ER36 | ER36, ERCW2430 | 10.805 | 28.7500 |
| DR-ERCW2436 | ERCW2436 | 10.805 | 34.7500 |
| DR-ERCW2442 | ERCW2442 | 10.805 | 40.7500 |
| DR-W1215 | W1215 | 11.5000 | 13.7500 |
| DR-B12 | B12, VB12 | 11.5000 | 21.5000 |
| DR-W1230 | W1230, BB36, BW2430, WEP1230 | 11.5000 | 28.7500 |
| DR-W1236 | W1236, BW2436, WEP1236 | 11.5000 | 34.7500 |
| DR-W1242 | W1242, BW2442, WEP1242 | 11.5000 | 40.7500 |
| DR-2415-2 | W2415 | 11.6875 | 13.7500 |
| DR-AG2418 | AG2418-BD | 11.6875 | 16.7500 |
| DR-B24-2 | B24-2, V24-2 | 11.6875 | 21.5000 |
| DR-W2430-2 | W2430-2, P2484 | 11.6875 | 28.7500 |
| DR-W2436-2 | W2436-2, P2490 | 11.6875 | 34.7500 |
| DR-W2442-2 | W2442-2, P2496 | 11.6875 | 40.7500 |
| DR-P2484 | P2484, P2490, P2496 (pantry bottom door) | 11.6875 | 49.0000 |
| DR-2715 | W2715 | 13.1875 | 13.7500 |
| DR-B27 | B27, V27 | 13.1875 | 21.5000 |
| DR-W2730 | W2730 | 13.1875 | 28.7500 |
| DR-W2736 | W2736 | 13.1875 | 34.7500 |
| DR-W2742 | W2742 | 13.1875 | 40.7500 |
| DR-TAB12FHDL | TAB12FHDL, TAB12FHDR | 14.0000 | 28.7500 |
| DR-W1515 | W1515, CW2415 | 14.5000 | 13.7500 |
| DR-ADAG2418 | ADAG2418 | 14.5000 | 17.5000 |
| DR-B15 | B15, BB42, DSB36, VB15, VSB60, VSDL30, VS DR30 | 14.5000 | 21.5000 |
| DR-W1530 | W1530, CW2430 | 14.5000 | 28.7500 |
| DR-W1536 | W1536, CW2436, CW2736 | 14.5000 | 34.7500 |
| DR-W1542 | W1542, CW2442, CW2742 | 14.5000 | 40.7500 |
| DR-W3012 | W3012 | 14.6875 | 10.7500 |
| DR-WMW3033 | WMW303318 | 14.6875 | 12.2500 |
| DR-W3015 | W3015 | 14.6875 | 13.7500 |
| DR-W3018 | W3018, SBFH30 | 14.6875 | 16.7500 |
| DR-W3021 | W3021 | 14.6875 | 19.7500 |

(continued on next page)

(continued from previous page)

| DOOR SIZE CHART | | | |
|-----------------|---------------------------|---------|---------|
| ITEM NO. | CABINET | WIDTH | HEIGHT |
| DR-B30 | B30, SB30, V30, VSB60 | 14.6875 | 21.5000 |
| DR-W3024 | W3024 | 14.6875 | 22.7500 |
| DR-WMW3045 | WMW304518 | 14.6875 | 24.2500 |
| DR-W3027 | W3027 | 14.6875 | 25.7500 |
| DR-W3030 | W3030, BW4230 | 14.6875 | 28.7500 |
| DR-W3036 | W3036 | 14.6875 | 34.7500 |
| DR-W3042 | W3042 | 14.6875 | 40.7500 |
| DR-W3315 | W3315 | 16.1875 | 13.7500 |
| DR-OC3384D | OC3384D, SBFH33 | 16.1875 | 16.7500 |
| DR-B33 | B33, SB33, V33 | 16.1875 | 21.5000 |
| DR-OC3390D | OC3390D | 16.1875 | 22.7500 |
| DR-W3330 | W3330, OC3396D | 16.1875 | 28.7500 |
| DR-W3336 | W3336 | 16.1875 | 34.7500 |
| DR-W3342 | W3342 | 16.1875 | 40.7500 |
| DR-W1815 | W1815 | 17.5000 | 13.7500 |
| DR-B18 | B18, VB18, VSDL36, VSDR36 | 17.5000 | 21.5000 |
| DR-W1830 | W1830, BW3030, P1884 | 17.5000 | 28.7500 |
| DR-W1836 | W1836, BW3036, P1890 | 17.5000 | 34.7500 |
| DR-W1842 | W1842, BW3042, P1896 | 17.5000 | 40.7500 |
| DR-P1884 | P1884, P1890, P1896 | 17.5000 | 49.0000 |
| DR-W3612 | W3612, W361224 | 17.6875 | 10.7500 |
| DR-W3615 | W3615 | 17.6875 | 13.7500 |
| DR-W3618 | W3618, W361824, SBFH36 | 17.6875 | 16.7500 |
| DR-B36 | B36, SB36, V36, VSB36 | 17.6875 | 21.5000 |
| DR-W3624 | W3624, W362424 | 17.6875 | 22.7500 |
| DR-W3630 | W3630 | 17.6875 | 28.7500 |
| DR-W3636 | W3636 | 17.6875 | 34.7500 |
| DR-W3642 | W3642 | 17.6875 | 40.7500 |
| DR-W3912 | W3912 | 19.1875 | 10.7500 |
| DR-W3915 | W3915 | 19.1875 | 13.75 |
| DR-B39 | B39 | 19.1875 | 21.5000 |
| DR-W3930 | W3930 | 19.1875 | 28.7500 |
| DR-W3936 | W3936 | 19.1875 | 34.7500 |
| DRW2115 | W2115, W4215 | 20.5000 | 13.7500 |
| DR-B21 | B21, BB48 | 20.5000 | 21.5000 |
| DR-W2130 | W2130 | 20.5000 | 28.7500 |
| DR-W2136 | W2136 | 20.5000 | 34.7500 |
| DR-W2142 | W2142 | 20.5000 | 40.7500 |

(continued on next page)

(continued from previous page)

| DOOR SIZE CHART | | | |
|-----------------|-----------------------|---------|---------|
| ITEM NO. | CABINET | WIDTH | HEIGHT |
| DR-B42 | B42, SB42, V42, VSB42 | 20.6875 | 21.5000 |
| DR-DSB42 | DSB42, CSF42 | 23.0000 | 21.5000 |
| DR-VSB48 | VSB48, VDB60 | 23.5000 | 21.5000 |
| DR-BW3630 | BW3630, WEP2430-1 | 23.5000 | 28.7500 |
| DR-BW3636 | BW3636 | 23.5000 | 34.7500 |
| DR-BW3642 | BW3642 | 23.5000 | 40.7500 |
| DR-W4230 | W42 30 | 20.688 | 28.7500 |
| DR-W4236 | W4236 | 20.688 | 34.7500 |



| DRAWER FRONT SIZE CHART | | | |
|-------------------------|---|---------|---------|
| ITEM NO. | CABINET | WIDTH | HEIGHT |
| DF-KD30 | KD30 | 23.5000 | 4.2500 |
| DF-KD36 | KD36 | 29.5000 | 4.2500 |
| DF-VSB36 | VSB36-left/right | 10.0000 | 6.7500 |
| DF-B12 | B12, DB12-upper, VB12, VDB12-upper, VDB60-center, VSB42-left/right, VSB48-left/right | 11.5000 | 6.7500 |
| DF-B15 | B15, BB42, DB15-upper, DSB36, VB15, VDB15-upper, VSDL30-upper, VSDR30-upper, VSB60-upper | 14.5000 | 6.7500 |
| DF-B30 | B30, SB30, V30 | 14.6875 | 6.7500 |
| DF-VSB36-center | VSB36-center | 15.1250 | 6.7500 |
| DF-B33 | B33, SB33, V33 | 16.1875 | 6.7500 |
| DF-B18 | B18, DB18-upper, DDB18-upper, VB18-upper, VDB18-upper, VSB42-center, VSDL36-upper, VSDR36-upper | 17.5000 | 6.7500 |
| DF-B36 | B36, SB36, V36 | 17.6875 | 6.7500 |
| DF-B39 | B39 | 19.1875 | 6.7500 |
| DF-B21 | B21, BB48, DB21-upper, VDB21-upper | 20.5000 | 6.7500 |
| DF-B42 | B42, SB42, V42 | 20.6875 | 6.7500 |
| DF-DSB42 | DSB42, CSF42 | 23.0000 | 6.7500 |
| DF-B24 | B24-2, DB24-upper, V24-2, VDB24-upper, VDB60-left/right, VSB48-center | 23.5000 | 6.7500 |
| DF-B27 | B27, V27 | 26.5000 | 6.7500 |
| DF-B30-1 | DB30-upper, VSB60-center | 29.5000 | 6.7500 |
| DF-OC3384 | OC3384D, OC3390D, OC3396D | 32.5000 | 6.7500 |
| DF-B36-1 | DB36-upper | 35.5000 | 6.7500 |
| DF-VDB60 | VDB60-bottom | 11.5000 | 7.0000 |
| DF-DB12 | DB12-bottom, VDB12-bottom | 11.5000 | 10.5000 |
| DF-DB15 | DB15-bottom, VDB15-bottom, VSDR30-bottom, VSDL30-bottom | 14.5000 | 10.5000 |
| DF-DB18 | DB18-bottom, VDB18-bottom, VSDR36-bottom, VSDL36-bottom | 17.5000 | 10.5000 |
| DF-DB21 | DB21-bottom, VDB21-bottom | 20.5000 | 10.5000 |
| DF-DB24 | DB24-bottom, VDB24-bottom | 23.5000 | 10.5000 |
| DF-DB30 | DB30-bottom | 29.5000 | 10.5000 |
| DF-DB36 | DB36-bottom | 35.5000 | 10.5000 |
| DF-BM30 | BM30 | 29.5000 | 11.0000 |
| DF-DDB18 | DDB18-bottom | 17.5000 | 16.5000 |

Doors and drawer fronts are available for purchase. (list prices)

Doors - \$110 per sq. ft

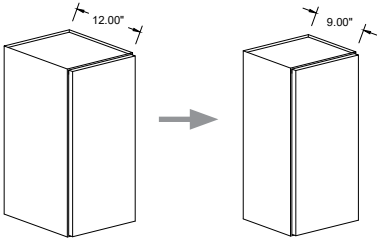
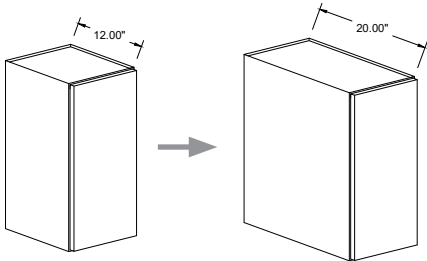
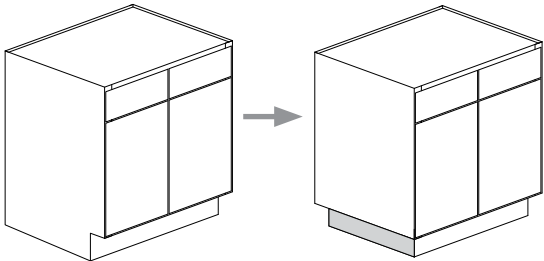
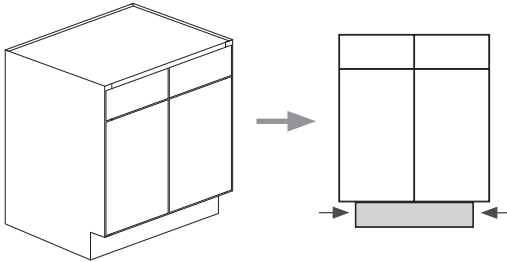
Drawer Fronts - \$130 per sq. ft

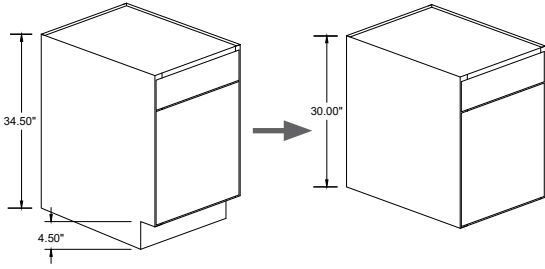
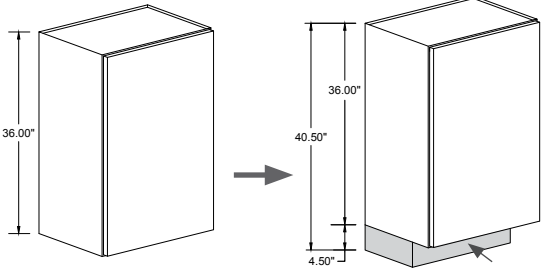
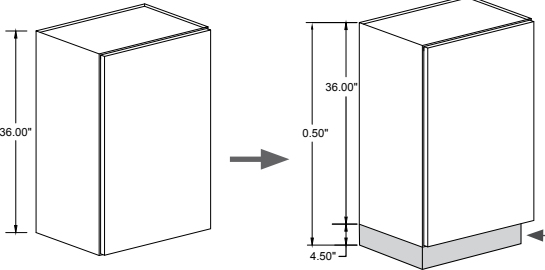
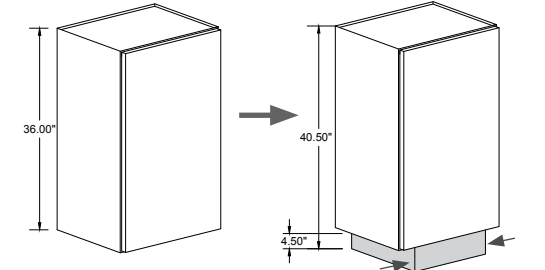
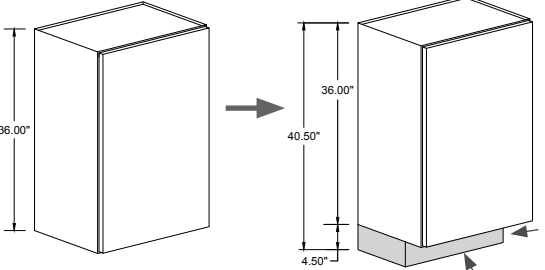


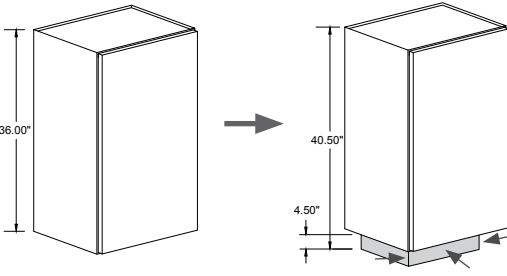
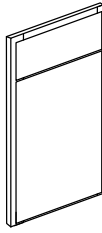
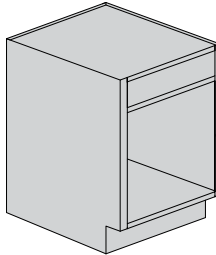
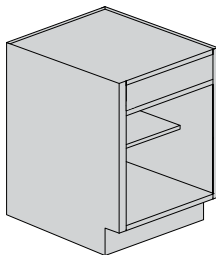
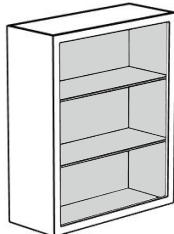
CUSTOM MODIFICATIONS

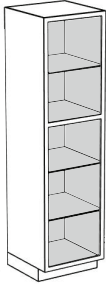
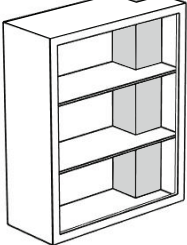
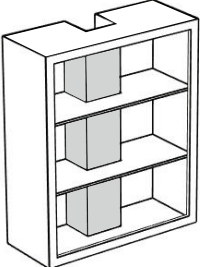
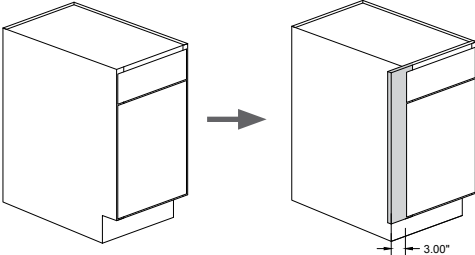
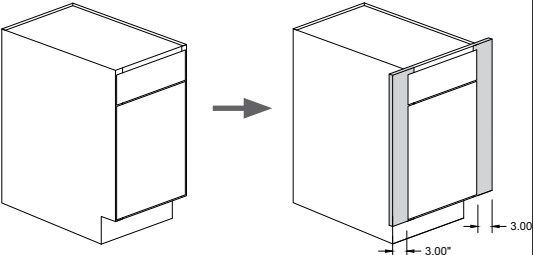
River Run Cabinetry

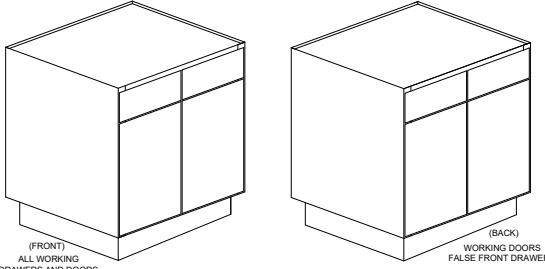
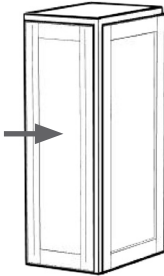
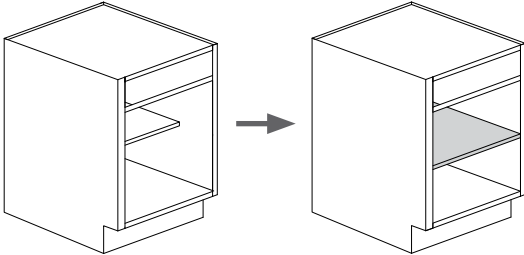
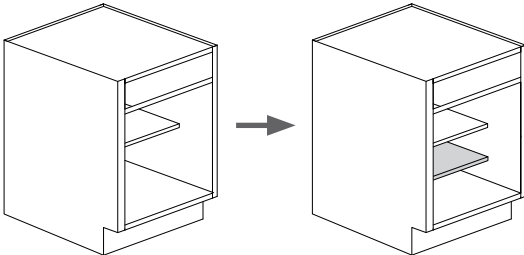
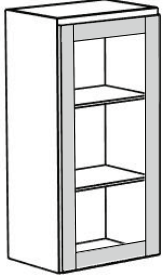
Note: Modifications extend lead times except where noted in description.

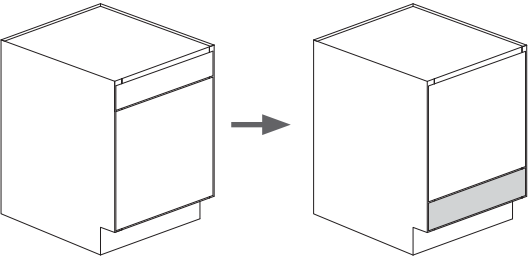
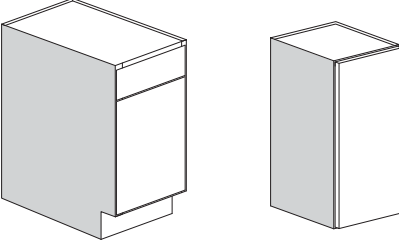
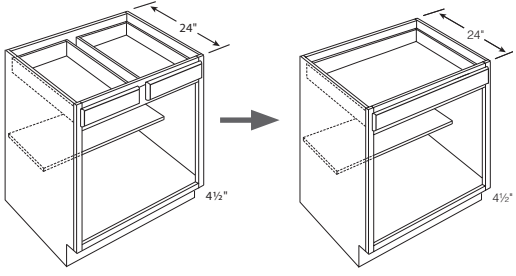
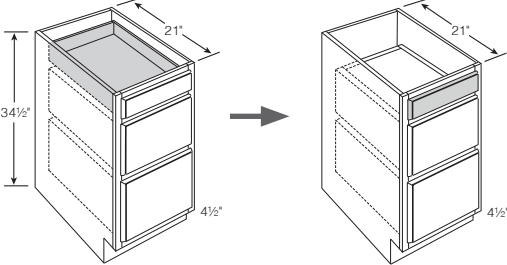
| MOD. CODES & DESCRIPTIONS | EXAMPLE | LIST PRICES |
|--|---|--|
| <p>RD</p> <p>Reduce Depth of cabinet (1" increments)</p> <p>base - 12" minimum depth wall - 4" minimum depth</p> <p>Reduce Depth of roll out tray</p> |  <p>pictured: W1230 reduced depth to 9"</p> | <p>cab + 300 (walls)</p> <p>cab + 500 (talls & bases)</p> <p>ROT+167</p> |
| <p>ID</p> <p>Increase Depth of wall and vanity cabinet (1" increments)</p> <p>walls - 24" depth maximum bookcase - 18" depth maximum bases - not available</p> |  <p>pictured: W1230 increased depth to 20"</p> | <p>cab + 657</p> <p>1.5 x bookcase</p> |
| <p>BTKR or L or B</p> <p>Recess Toe Kick on Right or Left or Back of base, pantry, or vanity cabinet</p> <p>available in B15 and larger base cabinets</p> |  <p>pictured: V27 recess toe kick added to left</p> | <p>cab + 283</p> |
| <p>BTKRL</p> <p>Recess Toe Kick on Right and Left of base, pantry, or vanity cabinet</p> <p>available in B18 and larger base cabinets</p> |  <p>pictured: V27 recess toe kick added to right and left</p> | <p>cab + 417</p> |

| MOD. CODES & DESCRIPTIONS | EXAMPLE | LIST PRICES |
|--|--|------------------|
| <p>BTKN Toe Kick Removed from base, pantry, or vanity cabinet (height less 4½")</p> |  <p>pictured: B18 toe kick removed</p> | <p>cab + 450</p> |
| <p>WTKF Add Toe Kick to Wall Cabinet with Toe Kick Space at Front only (height plus 4½")</p> |  <p>pictured: W1836 toe kick added with space at front only</p> | <p>cab + 417</p> |
| <p>WTKR or L Add Toe Kick to Wall Cabinet with Toe Kick Space to Right or Left (height plus 4½")</p> |  <p>pictured: W1836 toe kick added with space at right</p> | <p>cab + 417</p> |
| <p>WTKRL Add Toe Kick to Wall Cabinet with Toe Kick Space to Right and Left (height plus 4½")</p> |  <p>pictured: W1836 toe kick added with space at right and left</p> | <p>cab + 483</p> |
| <p>WTKFR or L Add Toe Kick to Wall Cabinet with Toe Kick Space to Front and Right or Left (height plus 4½")</p> |  <p>pictured: W1836 toe kick added with space at front and right</p> | <p>cab + 483</p> |

| MOD. CODES & DESCRIPTIONS | EXAMPLE | LIST PRICES |
|--|---|---------------------|
| <p>WTKFRL</p> <p>Add Toe Kick to Wall Cabinet with Toe Kick Space to Front, Right, and Left (height plus 4½")</p> |  <p>pictured: W1836 toe kick added with space at front, right and left (WTKFRL)</p> | <p>cab + 550</p> |
| <p>TP</p> <p>Tri-Pack - face frame, drawer front(s), and door(s) only</p> <p><i>Does not extend lead time.</i></p> |  | <p>75% x cab. *</p> |
| <p>BO</p> <p>Box Only - Does not include drawer box, hardware, doors, drawer fronts or shelves.</p> <p><i>Does not extend lead time.</i></p> |  <p>pictured: B24-2 case only</p> | <p>60% x cab. *</p> |
| <p>NO FRONTS</p> <p>Includes hardware, shelves, and drawer box. Does not include doors or drawer fronts.</p> <p><i>Does not extend lead time.</i></p> |  <p>pictured: B24-2 no front</p> | <p>85% x cab. *</p> |
| <p>FI</p> <p>Cabinet with Finished Interior</p> |  <p>pictured: W3030 - finished interior</p> | <p>cab + 420</p> |

| MOD. CODES & DESCRIPTIONS | EXAMPLE | LIST PRICES |
|--|--|-----------------------------------|
| <p align="center">FIT</p> <p align="center">Cabinet with Finished Interior (Talls)</p> |  <p align="center">pictured: P2490 finished interior (tall)</p> | <p align="center">cab + 533</p> |
| <p align="center">PCR or L</p> <p align="center">Pipe Chase Cut-Out on Right or Left Corner (width x depth, location)</p> |  <p align="center">pictured: W3030 pipe chase cut-out on right (back)</p> | <p align="center">cab + 983</p> |
| <p align="center">PCM</p> <p align="center">Pipe Chase Cut-Out in Middle (width x depth, location)</p> |  <p align="center">pictured: W3030 pipe chase cut-out in middle (back)</p> | <p align="center">cab + 1,250</p> |
| <p align="center">ESR or L</p> <p align="center">Install Extended Stile on Right or Left side of cabinet (This modification adds 3" on either side)</p> <p align="center"><i>Field Trimmable</i></p> |  <p align="center">pictured: B15 extended stile on left 3" (making it 18" wide)</p> | <p align="center">cab + 417</p> |
| <p align="center">ESRL</p> <p align="center">Install Extended Stile on Right and Left sides of cabinet (This modification adds 3" to both sides.)</p> <p align="center"><i>Field Trimmable</i></p> |  <p align="center">pictured: B15 extended stile on right and left 3" on both sides</p> | <p align="center">cab + 834</p> |

| MOD. CODES & DESCRIPTIONS | EXAMPLE | LIST PRICES |
|--|---|--|
| <p>PN Peninsula Cabinet</p> |  <p>pictured: B27 peninsula cabinet</p> | <p>1.5 x cab. *</p> |
| <p>WEP Factory Installed Wall End Panels <i>For loose WEPs - see Wall Section</i></p> <p>BEP Factory Installed Base End Panels <i>For loose BEP - see Base Section</i></p> |  <p>pictured: W1230 Wall End Panel (WEP)</p> | <p>cab + WEP + \$90</p> <p>cab + BEP + \$90</p> |
| <p>FDS Install Full Depth Shelf in a base cabinet</p> <p><i>Does not extend lead time.</i></p> |  <p>pictured: B24-2 installed full depth shelf</p> | <p>cab + 100</p> |
| <p>2SH Install Second Shelf in a base cabinet</p> <p><i>Does not extend lead time.</i></p> |  <p>pictured: B24-2 installed second shelf</p> | <p>cab + 100</p> |
| <p>PG Prep for Glass - remove center panel in one door</p> <p>or PG2 (2 doors)</p> |  <p>pictured: W1230 Prep for Glass</p> | <p>cab + 163 (1 door)</p> <p>cab + 327 (2 doors)</p> |

| MOD. CODES & DESCRIPTIONS | EXAMPLE | LIST PRICES |
|---|--|---|
| <p>BD Reversed Base Cabinet with drawer at the bottom of the cabinet</p> |  <p>pictured: B21 reversed base cabinet (drawer at the bottom)</p> | <p>cab + 417</p> |
| <p>Finished Ends (cost per side)</p> |  <p>pictured: B15 finished left and W1230 finished left</p> | <p>cab + 53 (wall) cab + 73 (base) cab + 183 (tall)</p> |
| <p>1DRW Convert 2 drawers to 1 drawer (only available on 30", 33", & 36" base cabinets)</p> |  <p>pictured: B33- 2 drawers converted to 1 drawer</p> | <p>cab + 333</p> |
| <p>SB Sink Base Converts Top Drawer to False Front in Drawer Base or Vanity Drawer Base</p> |  <p>pictured: VDB- top drawer converted to false front</p> | <p>cab + 0 (no additional charge)</p> |

| SUMMARY MODIFICATIONS & SUGGESTED LIST PRICES | | |
|---|--|---|
| MOD. CODES | DESCRIPTIONS | LIST PRICES |
| RD | Reduce Depth of cabinet base (12" minimum); wall (4" minimum) - 1" increments Reduce Depth of roll out tray | cab + 300 cab + 500 (talls & bases) ROT+167 |
| ID | Increase Depth of wall and vanity cabinet (24" maximum); bookcase (18" maximum) - 1" increments | cab + 657 (wall & vanity) 1.5 x cab (bookcase) |
| BTKR or L or B | Recess Toe Kick on Right or Left or Back of base, pantry, or vanity cabinet | cab + 283 |
| BTKRL | Recess Toe Kick on Right and Left of base, pantry, or vanity cabinet | cab + 417 |
| BTKN | Toe Kick Removed from base, pantry, or vanity cabinet (height less 4½") | cab + 450 |
| WTKF | Add Toe Kick to Wall Cabinet with Toe Kick Space at Front only (height plus 4½") | cab + 417 |
| WTKR or L | Add Toe Kick to Wall Cabinet with Toe Kick Space to Right or Left (height plus 4½") | cab + 417 |
| WTKRL | Add Toe Kick to Wall Cabinet with Toe Kick Space to Right and Left (height plus 4½") | cab + 483 |
| WTKFR or L | Add Toe Kick to Wall Cabinet with Toe Kick Space to Front and Right or Left (height plus 4½") | cab + 483 |
| WTKFRL | Add Toe Kick to Wall Cabinet with Toe Kick Space to Front, Right, and Left (height plus 4½") | cab + 550 |
| TP # | Face Frame Only - face frame, drawer front(s), and door(s) only | 75% x cab. * |
| BO # | Box Only | 60% x cab. * |
| NOFRONTS# | No Doors/Drawer Fronts - includes hardware, shelves and drawer | 85% x cab. * |
| FI | Cabinet with Finished Interior | cab + 420 |
| FIT | Tall Cabinet with Finished Interior | 533 |
| PCR or L | Pipe Chase Cut-Out on Right or Left Corner (width x depth) | cab + 983 |
| PCM | Pipe Chase Cut-Out in Middle (width x depth, location) | cab +1,250 |
| ESR or L | Install Extended Stile on Right or Left side of cabinet (Adds 3" to either side) Field Trimmable | cab + 417 |
| ESRL | Install Extended Stile on Right and Left sides of cabinet (Adds 3" to both sides) Field Trimmable | cab + 834 |
| PN | Peninsula Cabinet | 1.5 x cab. * |
| WEP or BEP | Factory Applied Wall or Base Panels | cab + WEP/BEP + 90 |
| FDS # | Install Full Depth Shelf in a base cabinet | cab + 100 |
| 2SH # | Install Second Shelf in a base cabinet | cab + 100 |
| PG | Prep for Glass - remove center panel in door | cab + 163 |
| BD | Reversed Base Cabinet with drawer at the bottom of the cabinet | cab + 417 |

NOTE: Modifications extend lead times, except modifications noted with "#".

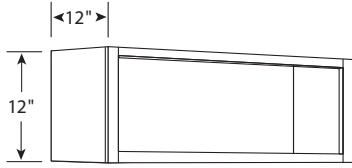
(continued on next page)

| SUMMARY MODIFICATIONS & SUGGESTED LIST PRICES <i>(continued)</i> | | |
|---|--|--|
| MOD. CODES | DESCRIPTIONS | LIST PRICES |
| FINISHED END | Finished Ends (cost per side) | cab + 53 (wall) cab + 73 (base) cab + 183 (tall) |
| 1DRW | Converts 2 drawers to 1 drawer, Only available for 30", 33", 36" | cab + \$333 |
| SB | Converts top drawer to false front (DBs or VDBs) | No Charge |

NOTE: Modifications extend lead times, except modifications noted with "#".

WALL CABINETS

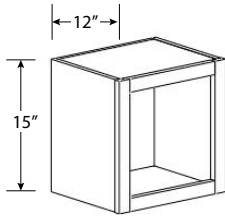
Wall Cabinet 12" High, 2 Doors



| | 1 | 2 | 3 | 4 | 5 | 6 | 7 |
|--------------------|-----|-----|-----|-----|-----|-----|-----|
| W3012 | 256 | 269 | 282 | 294 | 307 | 320 | 333 |
| W3612 | 300 | 315 | 330 | 345 | 360 | 375 | 390 |
| W3912 | 345 | 362 | 380 | 397 | 414 | 431 | 449 |
| W361224 (24" Deep) | 405 | 425 | 446 | 466 | 486 | 506 | 527 |

- No Shelf

Wall Cabinet 15" High, 1 Door

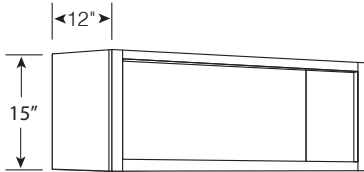


| | 1 | 2 | 3 | 4 | 5 | 6 | 7 |
|-------|-----|-----|-----|-----|-----|-----|-----|
| W1215 | 131 | 138 | 144 | 151 | 157 | 164 | 170 |
| W1515 | 155 | 163 | 171 | 178 | 186 | 194 | 202 |
| W1815 | 175 | 184 | 193 | 201 | 210 | 219 | 228 |
| W2115 | 195 | 205 | 215 | 224 | 234 | 244 | 254 |

- No Shelf

- Not Available in Hampton, Dalton or Lenox Door Styles

Wall Cabinet 15" High, 2 Doors



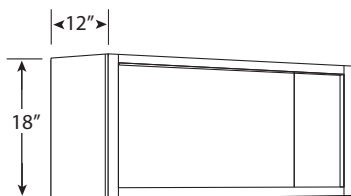
| | 1 | 2 | 3 | 4 | 5 | 6 | 7 |
|---------------------|-----|-----|-----|-----|-----|-----|-----|
| W2415 [#] | 220 | 231 | 242 | 253 | 264 | 275 | 286 |
| W2715 [#] | 246 | 258 | 271 | 283 | 295 | 308 | 320 |
| W3015 | 296 | 311 | 326 | 340 | 355 | 370 | 385 |
| W3315 | 317 | 333 | 349 | 365 | 380 | 396 | 412 |
| W3615 | 338 | 355 | 372 | 389 | 406 | 423 | 439 |
| W3915 [#] | 329 | 345 | 362 | 378 | 395 | 411 | 428 |
| W4215* [#] | 367 | 385 | 404 | 422 | 440 | 459 | 477 |

- No Shelf

* Has 3" Center Stile

[#] Not Available in Hampton, Dalton or Lenox Door Styles

Wall Cabinet 18" High, 2 Doors

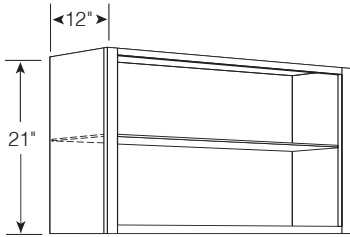


| | 1 | 2 | 3 | 4 | 5 | 6 | 7 |
|--------------------|-----|-----|-----|-----|-----|-----|-----|
| W2418 | 312 | 328 | 343 | 359 | 374 | 390 | 406 |
| W3018 | 321 | 337 | 353 | 369 | 385 | 401 | 417 |
| W3318 | 349 | 367 | 384 | 401 | 419 | 436 | 454 |
| W3618 | 377 | 396 | 415 | 434 | 452 | 471 | 490 |
| W361824 (24" Deep) | 462 | 485 | 508 | 531 | 554 | 578 | 601 |

- No Shelf

WALL CABINETS

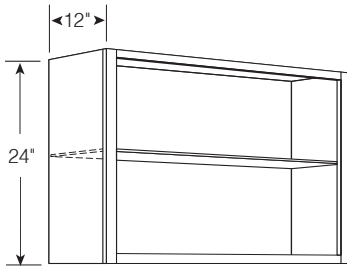
Wall Cabinet 21" High, 2 Doors



| | 1 | 2 | 3 | 4 | 5 | 6 | 7 |
|--------------|-----|-----|-----|-----|-----|-----|-----|
| W3021 | 398 | 418 | 438 | 458 | 478 | 498 | 517 |

- One Shelf

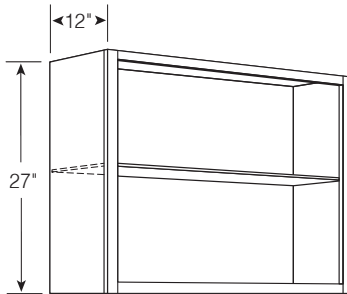
Wall Cabinet 24" High, 2 Doors



| | 1 | 2 | 3 | 4 | 5 | 6 | 7 |
|--------------|-----|-----|-----|-----|-----|-----|-----|
| W3024 | 432 | 454 | 475 | 497 | 518 | 540 | 562 |
| W3624 | 496 | 521 | 546 | 570 | 595 | 620 | 645 |

- One Shelf

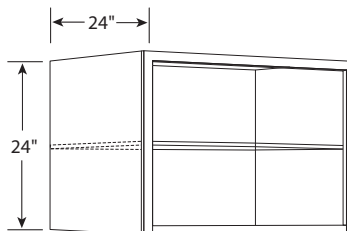
Wall Cabinet 27" High, 2 Doors



| | 1 | 2 | 3 | 4 | 5 | 6 | 7 |
|--------------|-----|-----|-----|-----|-----|-----|-----|
| W3027 | 465 | 488 | 512 | 535 | 558 | 581 | 605 |

- One Shelf

Wall Cabinet 24" High X 24" Deep, 2 Doors

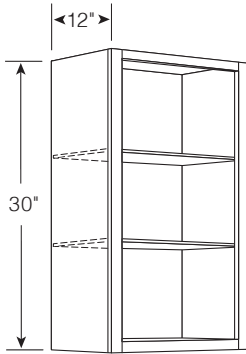


| | 1 | 2 | 3 | 4 | 5 | 6 | 7 |
|----------------|-----|-----|-----|-----|-----|-----|-----|
| W362424 | 650 | 683 | 715 | 748 | 780 | 813 | 845 |

- One Shelf
- Refrigerator Cabinet

WALL CABINETS

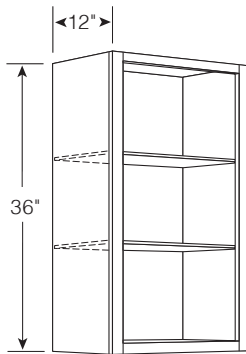
Wall Cabinet 30" High, 1 Door



| | 1 | 2 | 3 | 4 | 5 | 6 | 7 |
|--------------|-----|-----|-----|-----|-----|-----|-----|
| W0930 | 229 | 240 | 252 | 263 | 275 | 286 | 298 |
| W1230 | 262 | 275 | 288 | 301 | 314 | 328 | 341 |
| W1530 | 309 | 324 | 340 | 355 | 371 | 386 | 402 |
| W1830 | 350 | 368 | 385 | 403 | 420 | 438 | 455 |
| W2130 | 390 | 410 | 429 | 449 | 468 | 488 | 507 |

- Two Shelves

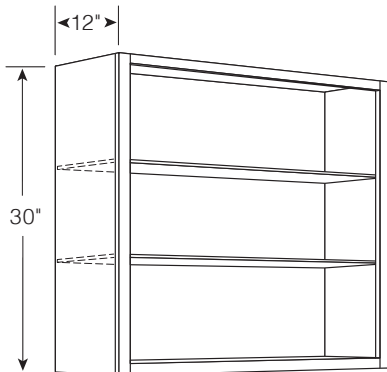
Wall Cabinet 36" High, 1 Door



| | 1 | 2 | 3 | 4 | 5 | 6 | 7 |
|--------------|-----|-----|-----|-----|-----|-----|-----|
| W0936 | 272 | 286 | 299 | 313 | 326 | 340 | 354 |
| W1236 | 316 | 332 | 348 | 363 | 379 | 395 | 411 |
| W1536 | 362 | 380 | 398 | 416 | 434 | 453 | 471 |
| W1836 | 407 | 427 | 448 | 468 | 488 | 509 | 529 |
| W2136 | 454 | 477 | 499 | 522 | 545 | 568 | 590 |

- Two Shelves

Wall Cabinet 30" High, 2 Doors



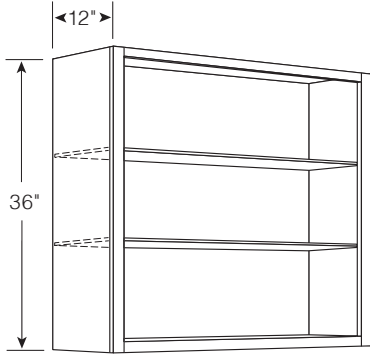
| | 1 | 2 | 3 | 4 | 5 | 6 | 7 |
|----------------|-----|-----|-----|-----|-----|-----|-----|
| W2430-2 | 440 | 462 | 484 | 506 | 528 | 550 | 572 |
| W2730 | 493 | 518 | 542 | 567 | 592 | 616 | 641 |
| W3030 | 518 | 544 | 570 | 596 | 622 | 648 | 673 |
| W3330 | 574 | 603 | 631 | 660 | 689 | 718 | 746 |
| W3630 | 618 | 649 | 680 | 711 | 742 | 773 | 803 |
| W3930 | 658 | 691 | 724 | 757 | 790 | 823 | 855 |
| W4230* | 734 | 771 | 807 | 844 | 881 | 918 | 954 |

- Two Shelves

* Has 3" Center Stile

WALL CABINETS

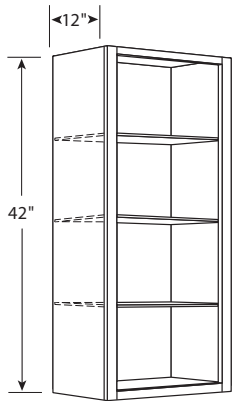
Wall Cabinet 36" High, 2 Doors



| | 1 | 2 | 3 | 4 | 5 | 6 | 7 |
|---------|-----|-----|-----|-----|-------|-------|-------|
| W2436-2 | 515 | 541 | 567 | 592 | 618 | 644 | 670 |
| W2736 | 575 | 604 | 633 | 661 | 690 | 719 | 748 |
| W3036 | 607 | 637 | 668 | 698 | 728 | 759 | 789 |
| W3336 | 671 | 705 | 738 | 772 | 805 | 839 | 872 |
| W3636 | 716 | 752 | 788 | 823 | 859 | 895 | 931 |
| W3936 | 756 | 794 | 832 | 869 | 907 | 945 | 983 |
| W4236 * | 848 | 890 | 933 | 975 | 1,018 | 1,060 | 1,102 |

- Two Shelves
 * Has 3" Center Stile

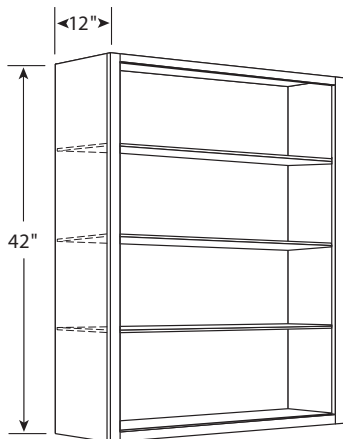
Wall Cabinet 42" High, 1 Door



| | 1 | 2 | 3 | 4 | 5 | 6 | 7 |
|-------|-----|-----|-----|-----|-----|-----|-----|
| W0942 | 316 | 332 | 348 | 363 | 379 | 395 | 411 |
| W1242 | 366 | 384 | 403 | 421 | 439 | 458 | 476 |
| W1542 | 421 | 442 | 463 | 484 | 505 | 526 | 547 |
| W1842 | 474 | 498 | 521 | 545 | 569 | 593 | 616 |
| W2142 | 529 | 555 | 582 | 608 | 635 | 661 | 688 |

- Three Shelves

Wall Cabinet 42" High, 2 Doors

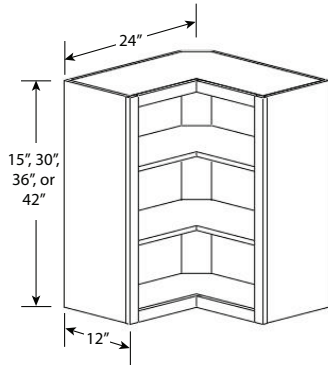


| | 1 | 2 | 3 | 4 | 5 | 6 | 7 |
|---------|-----|-----|-----|-----|-------|-------|-------|
| W2442-2 | 618 | 649 | 680 | 711 | 742 | 773 | 803 |
| W2742 | 673 | 707 | 740 | 774 | 808 | 841 | 875 |
| W3042 | 726 | 762 | 799 | 835 | 871 | 908 | 944 |
| W3342 | 781 | 820 | 859 | 898 | 937 | 976 | 1,015 |
| W3642 | 835 | 877 | 919 | 960 | 1,002 | 1,044 | 1,086 |

- Three Shelves

CORNER CABINETS

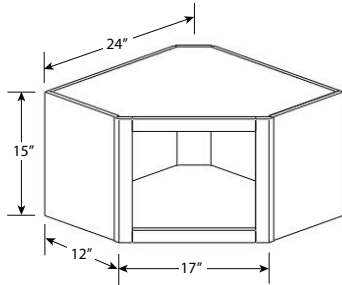
Easy Reach Corner Wall Cabinet, 24" Wide



| | 1 | 2 | 3 | 4 | 5 | 6 | 7 |
|--------------|-----|-----|-------|-------|-------|-------|-------|
| ERCW2415 (0) | 645 | 677 | 710 | 742 | 774 | 806 | 839 |
| ERCW2430 (2) | 768 | 806 | 845 | 883 | 922 | 960 | 998 |
| ERCW2436 (2) | 827 | 868 | 910 | 951 | 992 | 1,034 | 1,075 |
| ERCW2442 (3) | 914 | 960 | 1,005 | 1,051 | 1,097 | 1,143 | 1,188 |

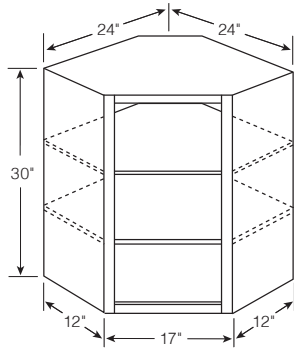
- Double Hinged Doors
- Order Lazy Susan Separately, Free Install
- Not Available in Hampton, Dalton or Lenox Door Styles
- (# of shelves)

Corner Wall Cabinet 15" High, 1 Door



| | 1 | 2 | 3 | 4 | 5 | 6 | 7 |
|--------|-----|-----|-----|-----|-----|-----|-----|
| CW2415 | 296 | 311 | 326 | 340 | 355 | 370 | 385 |

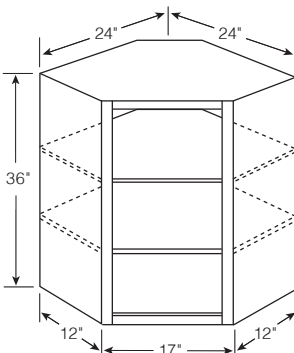
Corner Wall Cabinet 30" High, 1 Door



| | 1 | 2 | 3 | 4 | 5 | 6 | 7 |
|--------|-----|-----|-----|-----|-----|-----|-----|
| CW2430 | 593 | 623 | 652 | 682 | 712 | 741 | 771 |

- Two Shelves

Corner Wall Cabinet 36" High, 1 Door

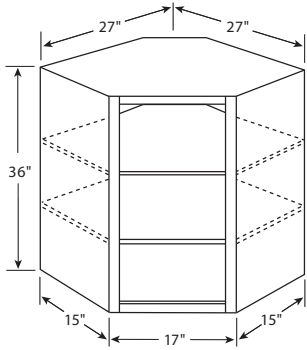


| | 1 | 2 | 3 | 4 | 5 | 6 | 7 |
|--------|-----|-----|-----|-----|-----|-----|-----|
| CW2436 | 639 | 671 | 703 | 735 | 767 | 799 | 831 |

- Two Shelves

CORNER & BLIND WALL CABINETS

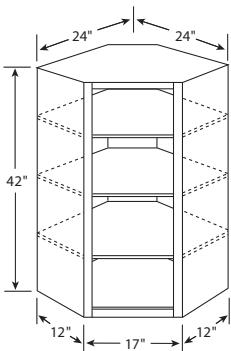
Corner Wall Cabinet 36" High x 15" Deep, 1 Door



| | 1 | 2 | 3 | 4 | 5 | 6 | 7 |
|---------------|-----|-----|-----|-----|-----|-----|-----|
| CW2736 | 737 | 774 | 811 | 848 | 884 | 921 | 958 |

- Two Shelves

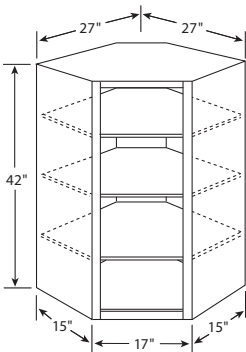
Corner Wall Cabinet 42" High, 1 Door



| | 1 | 2 | 3 | 4 | 5 | 6 | 7 |
|---------------|-----|-----|-----|-----|-----|-----|-----|
| CW2442 | 760 | 798 | 836 | 874 | 912 | 950 | 988 |

- Three Shelves

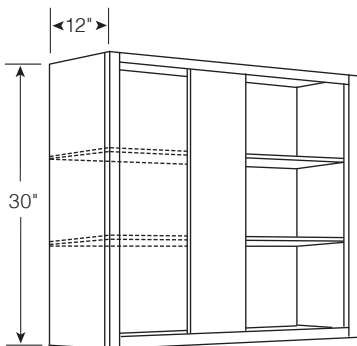
Corner Wall Cabinet 42" High x 15" Deep, 1 Door



| | 1 | 2 | 3 | 4 | 5 | 6 | 7 |
|---------------|------|-------|-------|-------|-------|-------|-------|
| CW2742 | 1024 | 1,075 | 1,126 | 1,178 | 1,229 | 1,280 | 1,331 |

- Three Shelves

Blind Wall Cabinet 30" High, 1 Door

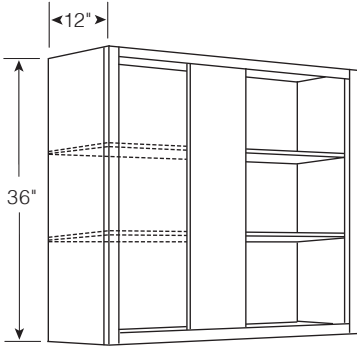


| | 1 | 2 | 3 | 4 | 5 | 6 | 7 |
|---------------|-----|-----|-----|-----|-----|-----|-----|
| BW2430 | 458 | 481 | 504 | 527 | 550 | 573 | 595 |
| BW3030 | 540 | 567 | 594 | 621 | 648 | 675 | 702 |
| BW3630 | 621 | 652 | 683 | 714 | 745 | 776 | 807 |

- Two Shelves
- Choose Side to Hinge Door
- Stile = 4¾" wide
- Shown: Blind Right with Door on Left

BLIND WALL CABINETS

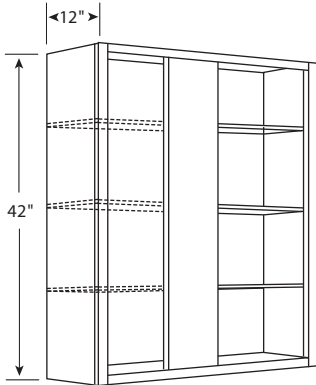
Blind Wall Cabinet 36" High, 1 Door



| | 1 | 2 | 3 | 4 | 5 | 6 | 7 |
|---------------|-----|-----|-----|-----|-----|-----|-----|
| BW2436 | 533 | 560 | 586 | 613 | 640 | 666 | 693 |
| BW3036 | 624 | 655 | 686 | 718 | 749 | 780 | 811 |
| BW3636 | 717 | 753 | 789 | 825 | 860 | 896 | 932 |

- Two Shelves
- Choose Side to Hinge Door
- Stile = 4¾" wide
- Shown: Blind Right with Door on Left

Blind Wall Cabinet 42" High, 1 Door



| | 1 | 2 | 3 | 4 | 5 | 6 | 7 |
|---------------|-----|-----|-------|-------|-------|-------|-------|
| BW2442 | 624 | 655 | 686 | 718 | 749 | 780 | 811 |
| BW3042 | 734 | 771 | 807 | 844 | 881 | 918 | 954 |
| BW3642 | 913 | 959 | 1,004 | 1,050 | 1,096 | 1,141 | 1,187 |

- Three Shelves
- Choose Side to Hinge Door
- Stile = 4¾" wide
- Shown: Blind Right with Door on Left

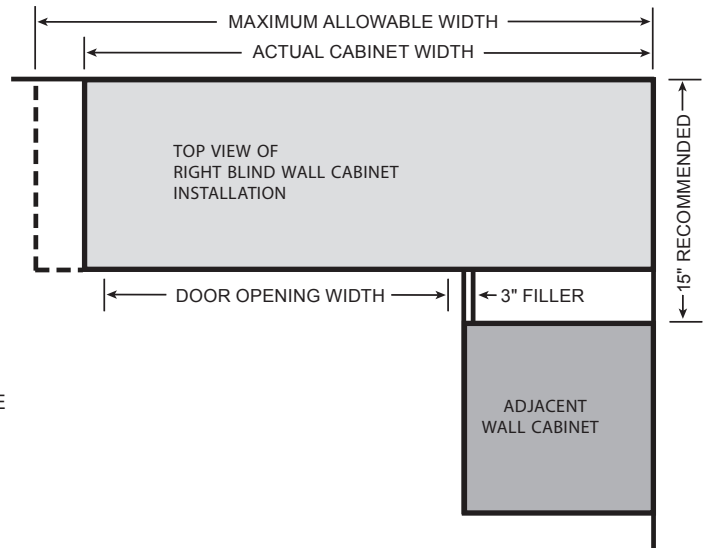
Blind Wall Cabinet Installation Recommendations

By Width

| CABINET NUMBER | ACTUAL CABINET WIDTH | MIN/MAX RECOMMENDED DIMENSIONS FOR INSTALL | WIDTH OF DOOR OPENING |
|----------------|----------------------|--|-----------------------|
| BW24XX | 24" | 24" - 26½" | 9" |
| BW30XX | 30" | 30" - 32½" | 15" |
| BW36XX | 36" | 36" - 38½" | 21" |

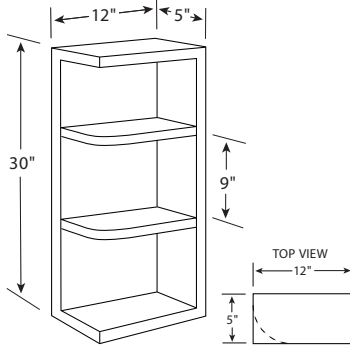
ORDER FILLER SEPARATELY

MEASUREMENTS BASED ON DESIGN USING A 4¾" VERTICAL IN FACE FRAME



SPECIALTY WALL CABINETS

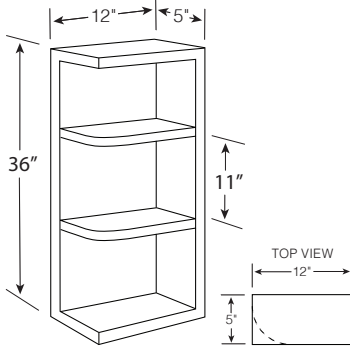
Wall Cabinet 30" High, 1/4 Round Shelves



| | 1 | 2 | 3 | 4 | 5 | 6 | 7 |
|---------------|-----|-----|-----|-----|-----|-----|-----|
| WQR630 | 149 | 156 | 164 | 171 | 179 | 186 | 194 |

- Two Fixed Shelves

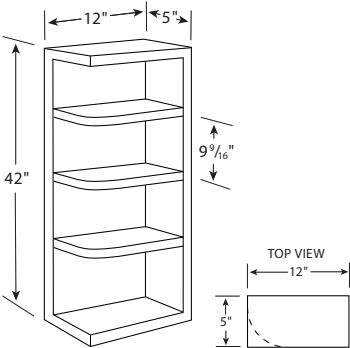
Wall Cabinet 36" High, 1/4 Round Shelves



| | 1 | 2 | 3 | 4 | 5 | 6 | 7 |
|---------------|-----|-----|-----|-----|-----|-----|-----|
| WQR636 | 173 | 182 | 190 | 199 | 208 | 216 | 225 |

- Two Fixed Shelves

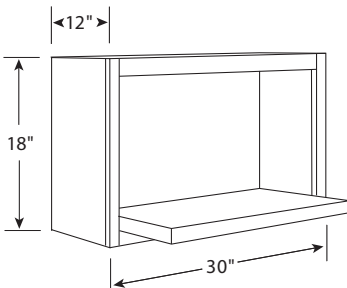
Wall Cabinet 42" High, 1/4 Round Shelves



| | 1 | 2 | 3 | 4 | 5 | 6 | 7 |
|---------------|-----|-----|-----|-----|-----|-----|-----|
| WQR642 | 196 | 206 | 216 | 225 | 235 | 245 | 255 |

- Three Fixed Shelves

Microwave Wall Cabinet 18" High

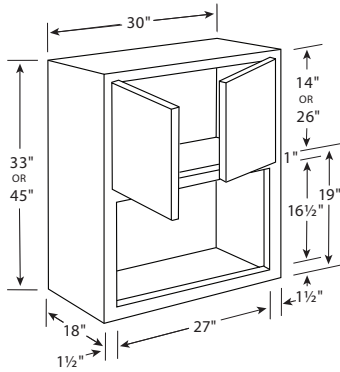


| | 1 | 2 | 3 | 4 | 5 | 6 | 7 |
|-------------------|-----|-----|-----|-----|-----|-----|-----|
| MWS3018X12 | 267 | 280 | 294 | 307 | 320 | 334 | 347 |

- Shelf is 17" Deep
- Opening Dimensions: 27" W x 14 1/4" H x 17" D
- Finished Interior and Exterior is Standard

SPECIALTY WALL CABINETS

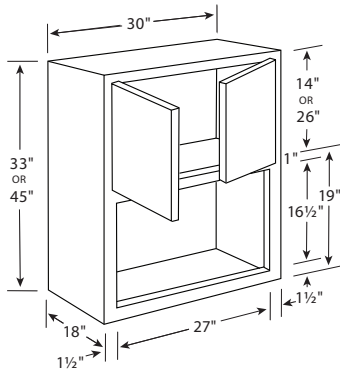
Microwave Wall Cabinet 33" High



| | 1 | 2 | 3 | 4 | 5 | 6 | 7 |
|------------------|-----|-----|-----|-----|-----|-----|-----|
| WMW303318 | 748 | 785 | 823 | 860 | 898 | 935 | 972 |

- Supplied with an Overlay Face Frame
- Opening Dimensions: 25" W x 14³/₈" H Trimmable
- Finished Interiors and Finished Ends are not Standard and Must be Specified if Desired.

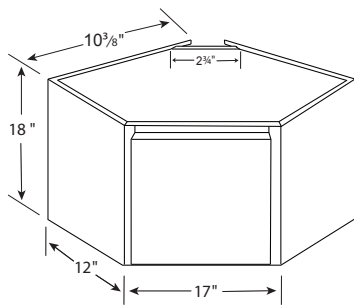
Microwave Wall Cabinet 45" High



| | 1 | 2 | 3 | 4 | 5 | 6 | 7 |
|------------------|------|-------|-------|-------|-------|-------|-------|
| WMW304518 | 1064 | 1,117 | 1,170 | 1,224 | 1,277 | 1,330 | 1,383 |

- Supplied with an Overlay Face Frame
- Opening Dimensions: 25" W x 14³/₈" H Trimmable
- Finished Interiors and Finished Ends are not Standard and Must be Specified if Desired.

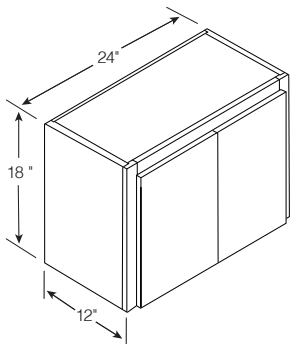
Diagonal Appliance Garage



| | 1 | 2 | 3 | 4 | 5 | 6 | 7 |
|-----------------|-----|-----|-----|-----|-----|-----|-----|
| ADAG2418 | 283 | 297 | 311 | 325 | 340 | 354 | 368 |

- Single Door Hinged to Side Stile
- No Bottom Panel, No Under Rail
- Matches CW24 (Length & Width)
- Finished Exterior is Standard

Appliance Garage with Doors

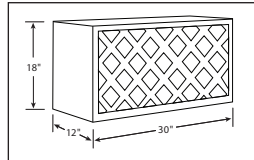
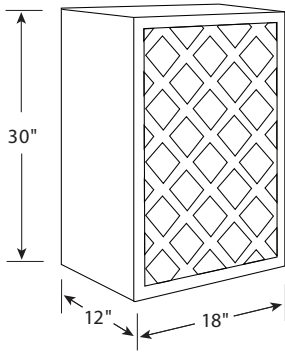


| | 1 | 2 | 3 | 4 | 5 | 6 | 7 |
|-----------------|-----|-----|-----|-----|-----|-----|-----|
| AG2418BD | 312 | 328 | 343 | 359 | 374 | 390 | 406 |

- Full Framed Cabinet with Bottom Panel
- Can be Used as a W2418

SPECIALTY WALL CABINETS

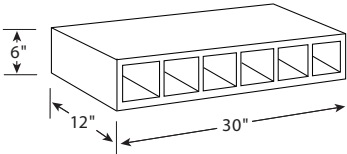
Wall Wine Racks



| | 1 | 2 | 3 | 4 | 5 | 6 | 7 |
|---------------|-----|-----|-----|-----|-----|-----|-----|
| WR1830 | 510 | 536 | 561 | 587 | 612 | 638 | 663 |
| WR3018 | 494 | 519 | 543 | 568 | 593 | 618 | 642 |

- Holds 18 to 20 Bottles
- Finished Interior and Exterior is Standard

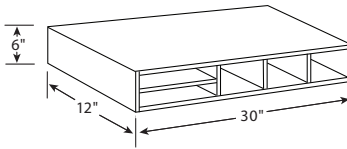
Wine Cubbies



| | 1 | 2 | 3 | 4 | 5 | 6 | 7 |
|--------------|-----|-----|-----|-----|-----|-----|-----|
| WCU30 | 208 | 218 | 229 | 239 | 250 | 260 | 270 |

- Can be Installed Vertically or Horizontally
- Made of 3/4" Veneer Plywood for Interiors
- Finished to Match and Front Edges Banded

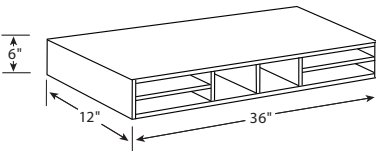
Wall Organizers & Shelves, 30" Wide



| | 1 | 2 | 3 | 4 | 5 | 6 | 7 |
|--------------|-----|-----|-----|-----|-----|-----|-----|
| WO306 | 208 | 218 | 229 | 239 | 250 | 260 | 270 |

- Opening Widths are: 10 1/2" and 5 1/4"
- Made of 3/4" Veneer Plywood for Interiors
- Finished to Match and Front Edges Banded

Wall Organizers & Shelves, 36" Wide

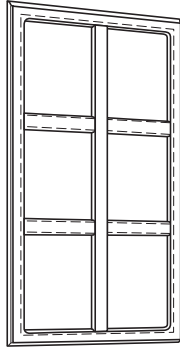


| | 1 | 2 | 3 | 4 | 5 | 6 | 7 |
|--------------|-----|-----|-----|-----|-----|-----|-----|
| WO366 | 225 | 236 | 248 | 259 | 270 | 281 | 293 |

- Opening Widths are: 10 1/2" and 5 1/2"
- Made of 3/4" Veneer Plywood for Interiors
- Finished to Match and Front Edges Banded

SPECIALTY WALL CABINETS

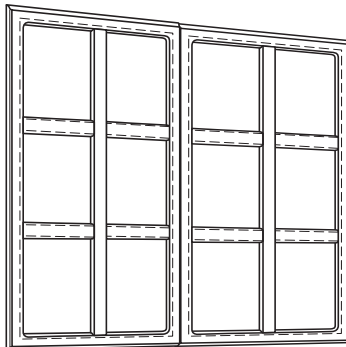
Mullion Doors- 1 Door



| | 1 | 2 | 3 | 4 | 5 | 6 | 7 |
|------------|-----|-----|-----|-----|-----|-----|-----|
| MULLCW2430 | N/A | N/A | N/A | N/A | 203 | N/A | N/A |
| MULLCW2436 | N/A | N/A | N/A | N/A | 245 | N/A | N/A |
| MULLCW2442 | N/A | N/A | N/A | N/A | 287 | N/A | N/A |
| MULLCW2736 | N/A | N/A | N/A | N/A | 245 | N/A | N/A |
| MULLCW2742 | N/A | N/A | N/A | N/A | 287 | N/A | N/A |
| MULLW1530 | N/A | N/A | N/A | N/A | 203 | N/A | N/A |
| MULLW1536 | N/A | N/A | N/A | N/A | 245 | N/A | N/A |
| MULLW1542 | N/A | N/A | N/A | N/A | 287 | N/A | N/A |
| MULLW1830 | N/A | N/A | N/A | N/A | 245 | N/A | N/A |
| MULLW1836 | N/A | N/A | N/A | N/A | 296 | N/A | N/A |
| MULLW1842 | N/A | N/A | N/A | N/A | 347 | N/A | N/A |

- Glass Not Supplied
- See Online Order Site for Available Colors/Styles
- See Prep for Glass Doors for Additional Options
- Available for Hampton and Lenox Chestnut door styles only
- While Supplies Last

Mullion Doors- 2 Doors

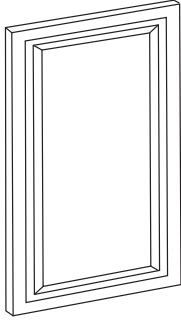


| | 1 | 2 | 3 | 4 | 5 | 6 | 7 |
|-------------|-----|-----|-----|-----|-----|-----|-----|
| MULLW2430-2 | N/A | N/A | N/A | N/A | 326 | N/A | N/A |
| MULLW2436-2 | N/A | N/A | N/A | N/A | 395 | N/A | N/A |
| MULLW2442-2 | N/A | N/A | N/A | N/A | 463 | N/A | N/A |
| MULLW3030 | N/A | N/A | N/A | N/A | 410 | N/A | N/A |
| MULLW3036 | N/A | N/A | N/A | N/A | 497 | N/A | N/A |
| MULLW3042 | N/A | N/A | N/A | N/A | 582 | N/A | N/A |
| MULLW3630 | N/A | N/A | N/A | N/A | 494 | N/A | N/A |
| MULLW3636 | N/A | N/A | N/A | N/A | 598 | N/A | N/A |
| MULLW3642 | N/A | N/A | N/A | N/A | 701 | N/A | N/A |

- Glass Not Supplied
- See Online Order Site for Available Colors/Styles
- See Prep for Glass Doors for Additional Options
- Available for Hampton and Lenox Chestnut door styles only
- While Supplies Last

SPECIALTY WALL CABINETS

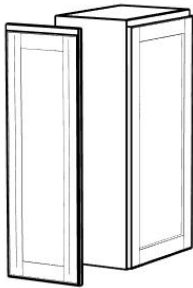
Wall End Panel Doors (Loose Decorative Door)



| | 1 | 2 | 3 | 4 | 5 | 6 | 7 |
|--------------------|-----|-----|-----|-----|-----|-----|-----|
| WEP1230 (12"x 30") | 132 | 139 | 145 | 152 | 158 | 165 | 172 |
| WEP1236 (12"x 36") | 158 | 166 | 174 | 182 | 190 | 198 | 205 |
| WEP1242 (12"x 42") | 181 | 190 | 199 | 208 | 217 | 226 | 235 |

- WEPs Match Door
- Reveals - 1/2" Less Width and 1 1/4" Less Height
- Cabinet Side that is Receiving WEP must be Finished or Purchase Skin Separately if Installing in the Field

Wall End Panel Kits

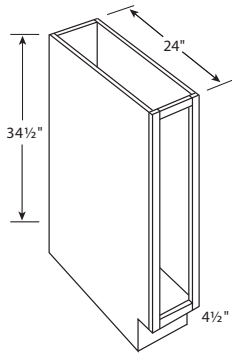


| | 1 | 2 | 3 | 4 | 5 | 6 | 7 |
|---------|-----|-----|-----|-----|-----|-----|-----|
| WEK1230 | 226 | 233 | 239 | 246 | 252 | 283 | 294 |
| WEK1236 | 276 | 284 | 292 | 300 | 308 | 345 | 359 |
| WEK1242 | 310 | 319 | 328 | 337 | 346 | 388 | 403 |

- Not Installed
- Kits Include WEP and Finished Skin
- Cabinet purchased separately

BASE CABINETS

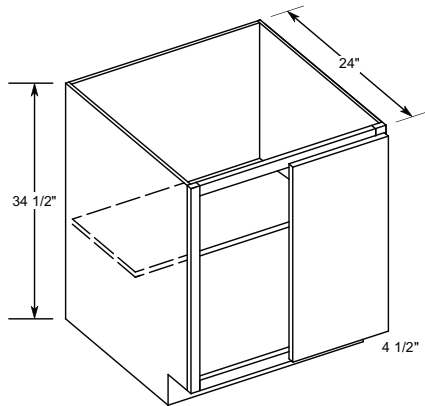
Base Cabinet Full Height Single Door



| | 1 | 2 | 3 | 4 | 5 | 6 | 7 |
|---------------|-----|-----|-----|-----|-----|-----|-----|
| B09FHD | 289 | 303 | 318 | 332 | 347 | 361 | 376 |
| B12FHD | 459 | 482 | 505 | 528 | 551 | 574 | 597 |
| B15FHD | 502 | 527 | 552 | 577 | 602 | 628 | 653 |
| B18FHD | 549 | 576 | 604 | 631 | 659 | 686 | 714 |
| B21FHD | 596 | 626 | 656 | 685 | 715 | 745 | 775 |

- No Shelf

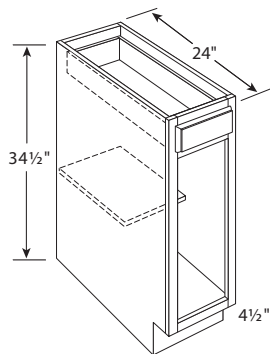
Base Cabinet Full Height, 2 Doors



| | 1 | 2 | 3 | 4 | 5 | 6 | 7 |
|-----------------|-----|-----|-----|-------|-------|-------|-------|
| B24FHD | 659 | 692 | 725 | 758 | 791 | 824 | 857 |
| B27FHD | 707 | 742 | 778 | 813 | 848 | 884 | 919 |
| B30FHD | 726 | 762 | 799 | 835 | 871 | 908 | 944 |
| B33FHD | 765 | 803 | 842 | 880 | 918 | 956 | 995 |
| B36FHD | 809 | 849 | 890 | 930 | 971 | 1,011 | 1,052 |
| B39FHD | 852 | 895 | 937 | 980 | 1,022 | 1,065 | 1,108 |
| B42FHD** | 893 | 938 | 982 | 1,027 | 1,072 | 1,116 | 1,161 |

** Will Have Center Stile

Base Cabinet, 1 Drawer & 1 Door

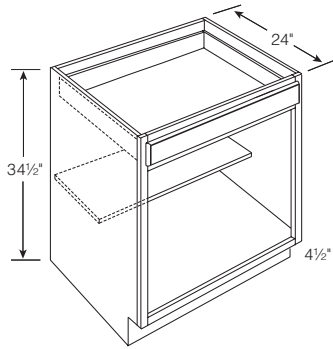


| | 1 | 2 | 3 | 4 | 5 | 6 | 7 |
|------------|-----|-----|-----|-----|-----|-----|-----|
| B12 | 483 | 507 | 531 | 555 | 580 | 604 | 628 |
| B15 | 528 | 554 | 581 | 607 | 634 | 660 | 686 |
| B18 | 578 | 607 | 636 | 665 | 694 | 723 | 751 |
| B21 | 627 | 658 | 690 | 721 | 752 | 784 | 815 |

- Can be Modified for Fixed Front

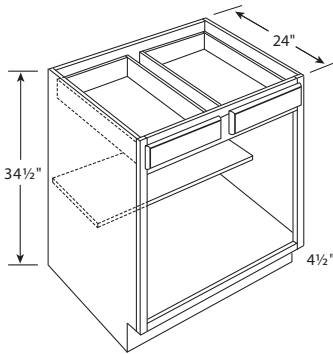
BASE & SINK BASE CABINETS

Base Cabinet, 1 Drawer & 2 Doors



| | 1 | 2 | 3 | 4 | 5 | 6 | 7 |
|------------|-----|-----|-----|-----|-----|-----|-----|
| B24 | 694 | 729 | 763 | 798 | 833 | 868 | 902 |
| B27 | 744 | 781 | 818 | 856 | 893 | 930 | 967 |

Base Cabinet, 2 Drawers & 2 Doors

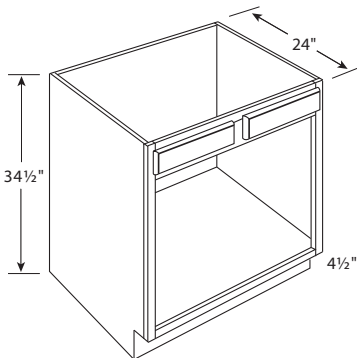


| | 1 | 2 | 3 | 4 | 5 | 6 | 7 |
|---------------|-----|-----|-------|-------|-------|-------|-------|
| B30* | 764 | 802 | 840 | 879 | 917 | 955 | 993 |
| B33* | 805 | 845 | 886 | 926 | 966 | 1,006 | 1,047 |
| B36* | 852 | 895 | 937 | 980 | 1,022 | 1,065 | 1,108 |
| B39 | 897 | 942 | 987 | 1,032 | 1,076 | 1,121 | 1,166 |
| B42 ** | 940 | 987 | 1,034 | 1,081 | 1,128 | 1,175 | 1,222 |

* Single Drawer Modification Option for \$333 + cabinet

** Will Have Center Stile

Sink Base Cabinet, 2 Doors



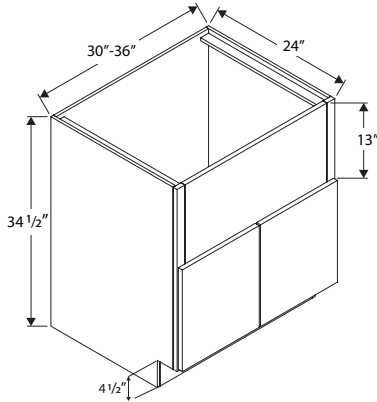
| | 1 | 2 | 3 | 4 | 5 | 6 | 7 |
|----------------|-----|-----|-----|-----|-----|-----|-----|
| SB24 * | 549 | 576 | 604 | 631 | 659 | 686 | 714 |
| SB27 * | 560 | 588 | 616 | 644 | 672 | 700 | 728 |
| SB30 | 578 | 607 | 636 | 665 | 694 | 723 | 751 |
| SB33 | 612 | 643 | 673 | 704 | 734 | 765 | 796 |
| SB36 | 651 | 684 | 716 | 749 | 781 | 814 | 846 |
| SB42 ** | 724 | 760 | 796 | 833 | 869 | 905 | 941 |

* Single Drawer Front

** Will Have Center Stile

SINK & MICROWAVE BASE CABINETS

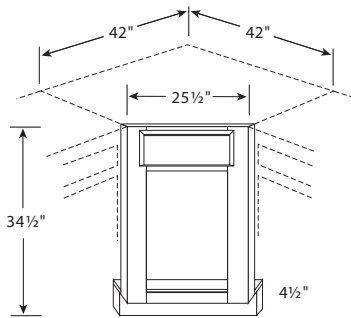
Farm House Sink Base



| | 1 | 2 | 3 | 4 | 5 | 6 | 7 |
|---------------|-----|-----|-------|-------|-------|-------|-------|
| SBFH30 | 867 | 910 | 954 | 997 | 1,040 | 1,084 | 1,127 |
| SBFH33 | 889 | 933 | 978 | 1,022 | 1,067 | 1,111 | 1,156 |
| SBFH36 | 937 | 984 | 1,031 | 1,078 | 1,124 | 1,171 | 1,218 |

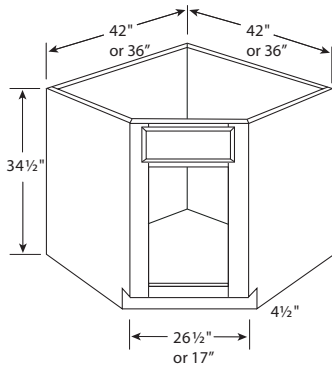
- Apron Can be Cut in Field, to Custom Fit Farm Sink

Sink Front Cabinet, 1 Door



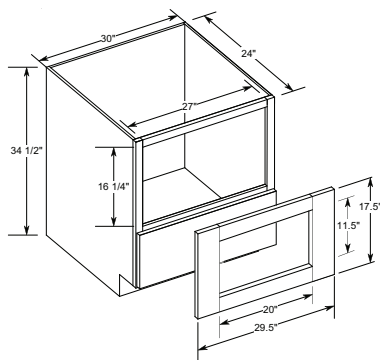
| | 1 | 2 | 3 | 4 | 5 | 6 | 7 |
|--------------|-----|-----|-----|-----|-----|-----|-----|
| CSF42 | 360 | 378 | 396 | 414 | 432 | 450 | 468 |

Corner Sink Base Cabinet, 1 Door



| | 1 | 2 | 3 | 4 | 5 | 6 | 7 |
|--------------|-----|-----|-----|-----|-----|-------|-------|
| DSB36 | 612 | 643 | 673 | 704 | 734 | 765 | 796 |
| DSB42 | 810 | 851 | 891 | 932 | 972 | 1,013 | 1,053 |

Base Microwave Cabinet w/Dish Drawer

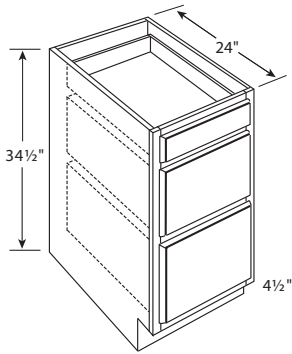


| | 1 | 2 | 3 | 4 | 5 | 6 | 7 |
|-------------|-----|-----|-----|-----|-----|-----|-------|
| BM30 | 784 | 823 | 862 | 902 | 941 | 980 | 1,019 |

- 27" Wide Opening
- Drawer Head Height: 11", Side Depth 5 1/2"
- Trimmable Overlay Panel Included
- Finished Interior Not Included

DRAWER BASE & EASY REACH CABINETS

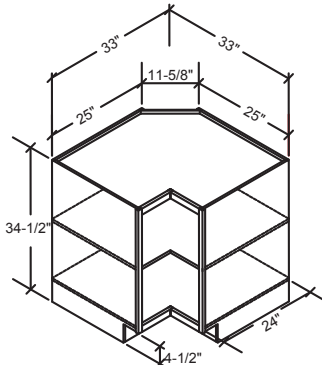
Drawer Base Cabinet, 3 Drawers



| | 1 | 2 | 3 | 4 | 5 | 6 | 7 |
|------|------|-------|-------|-------|-------|-------|-------|
| DB12 | 543 | 570 | 597 | 624 | 652 | 679 | 706 |
| DB15 | 601 | 631 | 661 | 691 | 721 | 751 | 781 |
| DB18 | 655 | 688 | 721 | 753 | 786 | 819 | 852 |
| DB21 | 712 | 748 | 783 | 819 | 854 | 890 | 926 |
| DB24 | 766 | 804 | 843 | 881 | 919 | 958 | 996 |
| DB30 | 879 | 923 | 967 | 1,011 | 1,055 | 1,099 | 1,143 |
| DB36 | 1015 | 1,066 | 1,117 | 1,167 | 1,218 | 1,269 | 1,320 |

- Single Top Drawer on All Sizes
- Top Drawer Height: 6 $\frac{3}{4}$ " , Side Depth 3 $\frac{1}{4}$ "
- Bottom Drawer Height: 10 $\frac{1}{2}$ " , Side Depth 5 $\frac{1}{2}$ "
- Slab Door Styles Will Have All 3 Slab Drawers

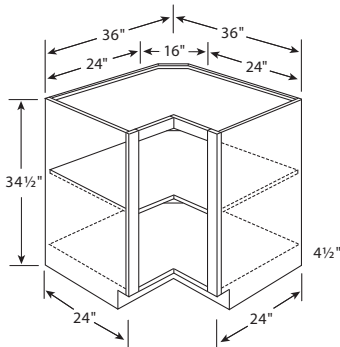
Easy Reach Corner Base Cabinet, 33" Wide



| | 1 | 2 | 3 | 4 | 5 | 6 | 7 |
|------|-----|-----|-----|-----|-------|-------|-------|
| ER33 | 838 | 880 | 922 | 964 | 1,006 | 1,048 | 1,089 |

- Double Hinged Doors
- One Shelf
- Order Lazy Susan Separately, Free Install

Easy Reach Corner Base Cabinet, 36" Wide

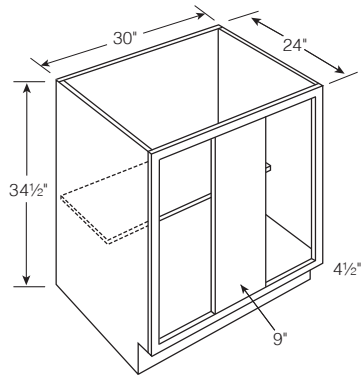


| | 1 | 2 | 3 | 4 | 5 | 6 | 7 |
|------|------|-------|-------|-------|-------|-------|-------|
| ER36 | 1050 | 1,103 | 1,155 | 1,208 | 1,260 | 1,313 | 1,365 |

- Double Hinged Doors
- One Shelf
- Order Lazy Susan Separately, Free Install

BLIND BASE CABINETS

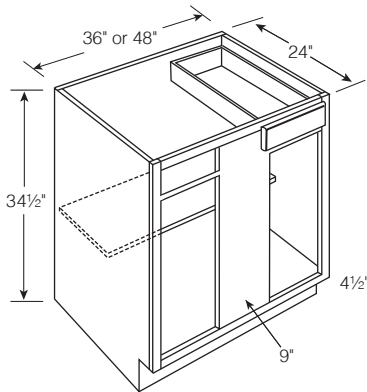
Blind Base Cabinet, 1 Door & No Drawer



| | 1 | 2 | 3 | 4 | 5 | 6 | 7 |
|-------------------------|-----|-----|-----|-----|-----|-----|-----|
| BB36 (No Drawer) | 574 | 603 | 631 | 660 | 689 | 718 | 746 |

- Specify on Order Which Side Receives Door
- Shown: Blind Left with Door on Right

Blind Base Cabinet, 1 Door & 1 Drawer



| | 1 | 2 | 3 | 4 | 5 | 6 | 7 |
|-------------|-----|-----|-------|-------|-------|-------|-------|
| BB42 | 814 | 855 | 895 | 936 | 977 | 1,018 | 1,058 |
| BB48 | 948 | 995 | 1,043 | 1,090 | 1,138 | 1,185 | 1,232 |

- Specify on Order Which Side Receives Drawer and Door
- Shown: Blind Left with Door and Drawer on Right

Blind Base Cabinet Installation Recommendations

By Width

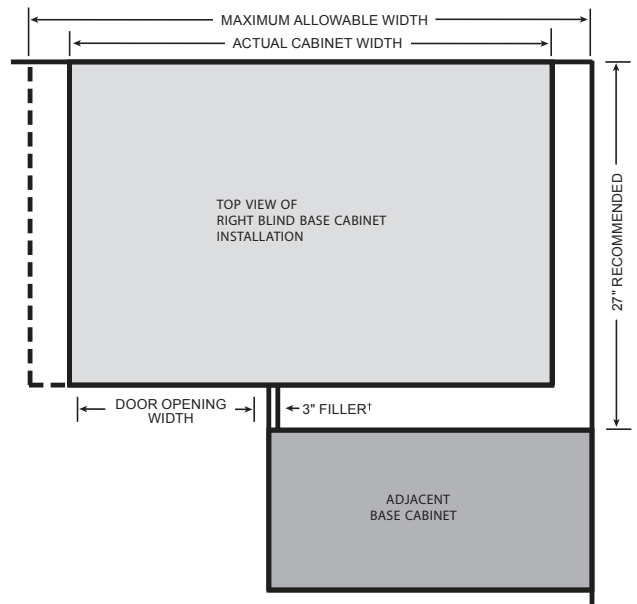
| CABINET NUMBER | ACTUAL CABINET WIDTH | MIN/MAX RECOMMENDED DIMENSIONS FOR INSTALL | WIDTH OF DOOR OPENING |
|----------------|----------------------|--|-----------------------|
| BB36** | 30" | 36" - 39" | 9" |
| BB42 | 36" | 42" - 45" | 12" |
| BB48 | 48" | 48" - 52" | 18" |

NOTE: MINIMUM PULL RECOMMENDATION INCLUDES 3" STILE REVEAL TO CORNER

ORDER FILLER SEPARATELY

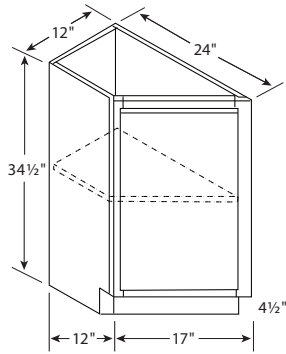
**FULL-HEIGHT DOOR, NO DRAWER (BB36 ONLY)

9" CENTER STILE



SPECIALTY BASE CABINETS

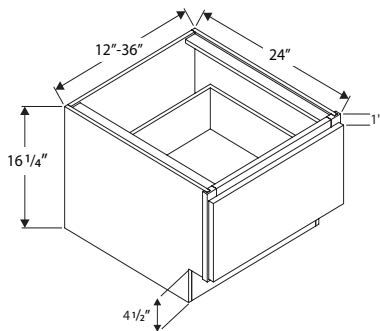
Transitional Angled Base Cabinet w/ Full Height Door



| | 1 | 2 | 3 | 4 | 5 | 6 | 7 |
|-----------|-----|-----|-----|-----|-----|-----|-----|
| TAB12FHDL | 485 | 509 | 534 | 558 | 582 | 606 | 631 |
| TAB12FHDR | 485 | 509 | 534 | 558 | 582 | 606 | 631 |

- TAB 12FHDL (pictured)
- Hinges on Small side
- Finished Exterior is Standard
- Modification Not Available: Add Toe Kick to Right, Left or Both

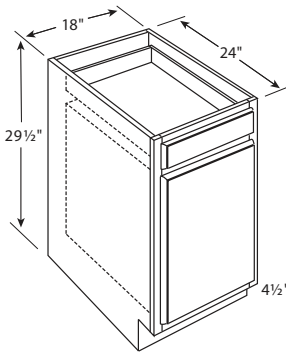
Window Seat Base Cabinet



| | 1 | 2 | 3 | 4 | 5 | 6 | 7 |
|-------|-----|-----|-----|-----|-----|-----|-----|
| BWS12 | 535 | 562 | 589 | 615 | 642 | 669 | 696 |
| BWS15 | 561 | 589 | 617 | 645 | 673 | 701 | 729 |
| BWS18 | 604 | 634 | 664 | 695 | 725 | 755 | 785 |
| BWS21 | 622 | 653 | 684 | 715 | 746 | 778 | 809 |
| BWS24 | 644 | 676 | 708 | 741 | 773 | 805 | 837 |
| BWS30 | 685 | 719 | 754 | 788 | 822 | 856 | 891 |
| BWS36 | 734 | 771 | 807 | 844 | 881 | 918 | 954 |

- Extended lead times for this SKU

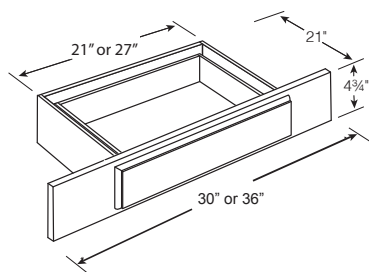
File Drawer



| | 1 | 2 | 3 | 4 | 5 | 6 | 7 |
|-------|-----|-----|-----|-----|-----|-----|-----|
| DDB18 | 659 | 692 | 725 | 758 | 791 | 824 | 857 |

- Standard Top Drawer on Full Overlay Stiles 6 3/4" High, the Sides are 4" High
- Large Bottom Drawer Head on Full Overlay Stiles 16 1/2" High, the Sides are 11 3/8" High

Vanity Lap Drawer

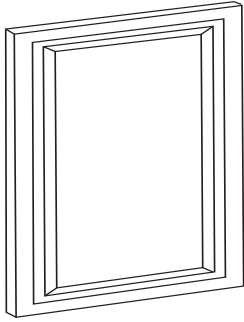


| | 1 | 2 | 3 | 4 | 5 | 6 | 7 |
|------|-----|-----|-----|-----|-----|-----|-----|
| KD30 | 387 | 406 | 426 | 445 | 464 | 484 | 503 |
| KD36 | 471 | 495 | 518 | 542 | 565 | 589 | 612 |

- Drawer Head is Slab with Edge Profile
- Trimmable 3" Stile Each Side of Drawer
- Each Drawer can be Trimmed up to 6"

SPECIALTY BASE CABINETS

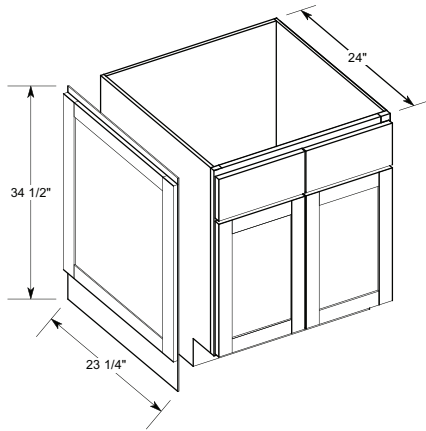
Base End Panel Door (Loose Decorative Door)



| | 1 | 2 | 3 | 4 | 5 | 6 | 7 |
|-----------------------------|-----|-----|-----|-----|-----|-----|-----|
| BEP2430-1 (24"x 30") | 263 | 276 | 289 | 302 | 316 | 329 | 342 |

- BEPs Match Door
- Reveals - 1/2" Less Width and 1 1/4" Less Height
- Cabinet Side that is Receiving BEP must be Finished or Purchase Skin Separately if Installing in the Field

Base End Panel Kit

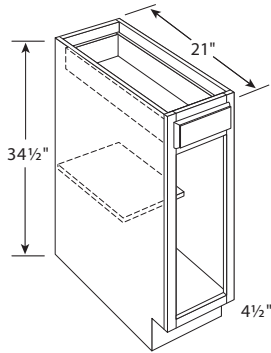


| | 1 | 2 | 3 | 4 | 5 | 6 | 7 |
|-----------------------|-----|-----|-----|-----|-----|-----|-----|
| BEK2430-1LEFT | 422 | 435 | 448 | 461 | 475 | 528 | 549 |
| BEK2430-1RIGHT | 422 | 435 | 448 | 461 | 475 | 528 | 549 |

- Not Installed
- Kits Include BEP and Finished Skin
- Cabinet purchased separately

VANITY BASE CABINETS

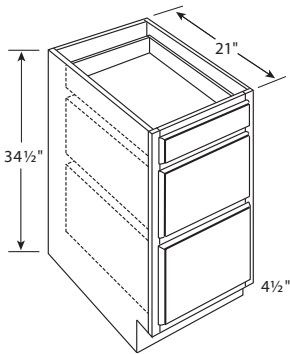
Vanity Base Cabinet



| | 1 | 2 | 3 | 4 | 5 | 6 | 7 |
|------|-----|-----|-----|-----|-----|-----|-----|
| VB12 | 453 | 476 | 498 | 521 | 544 | 566 | 589 |
| VB15 | 498 | 523 | 548 | 573 | 598 | 623 | 647 |
| VB18 | 545 | 572 | 600 | 627 | 654 | 681 | 709 |

- 21" Deep
- One Shelf

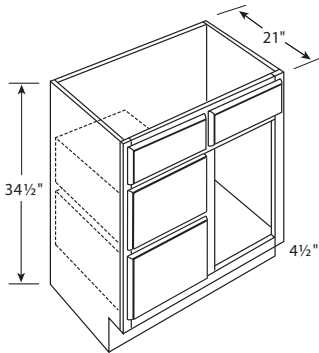
Vanity Drawer Base Cabinet



| | 1 | 2 | 3 | 4 | 5 | 6 | 7 |
|-------|-----|-----|-----|-----|-----|-----|-----|
| VDB12 | 485 | 509 | 534 | 558 | 582 | 606 | 631 |
| VDB15 | 544 | 571 | 598 | 626 | 653 | 680 | 707 |
| VDB18 | 597 | 627 | 657 | 687 | 716 | 746 | 776 |
| VDB21 | 650 | 683 | 715 | 748 | 780 | 813 | 845 |
| VDB24 | 704 | 739 | 774 | 810 | 845 | 880 | 915 |

- 21" Deep
- Slab Door Styles Will Have All 3 Slab Drawers

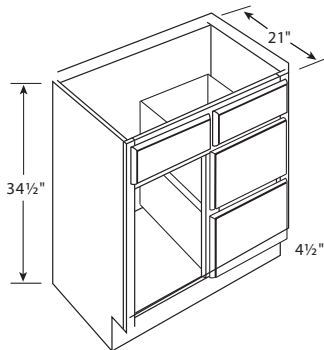
Vanity Sink Base Cabinet, 2 Left Drawers & 1 Door



| | 1 | 2 | 3 | 4 | 5 | 6 | 7 |
|--------|-----|-----|-----|-----|-----|-------|-------|
| VSDL30 | 723 | 759 | 795 | 831 | 868 | 904 | 940 |
| VSDL36 | 805 | 845 | 886 | 926 | 966 | 1,006 | 1,047 |

- 21" Deep
- Two False Drawer Heads
- Slab Door Styles Will Have All 4 Slab Drawers

Vanity Sink Base Cabinet, 2 Right Drawers & 1 Door

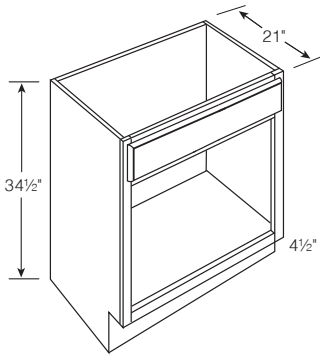


| | 1 | 2 | 3 | 4 | 5 | 6 | 7 |
|--------|-----|-----|-----|-----|-----|-------|-------|
| VSDR30 | 723 | 759 | 795 | 831 | 868 | 904 | 940 |
| VSDR36 | 805 | 845 | 886 | 926 | 966 | 1,006 | 1,047 |

- 21" Deep
- Two False Drawer Heads
- Slab Door Styles Will Have All 4 Slab Drawers

VANITY BASE CABINETS

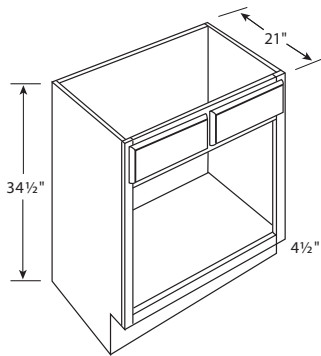
Vanity Sink Base Cabinet, 2 Doors



| | 1 | 2 | 3 | 4 | 5 | 6 | 7 |
|-----|-----|-----|-----|-----|-----|-----|-----|
| V24 | 472 | 496 | 519 | 543 | 566 | 590 | 614 |
| V27 | 510 | 536 | 561 | 587 | 612 | 638 | 663 |

- 21" Deep
- One False Drawer Head

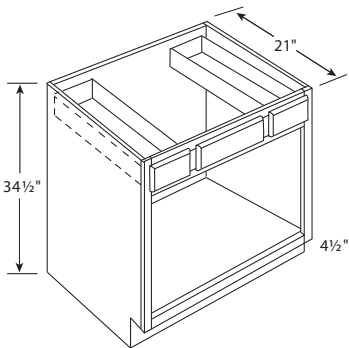
Vanity Sink Base Cabinet, 2 Doors



| | 1 | 2 | 3 | 4 | 5 | 6 | 7 |
|-------|-----|-----|-----|-----|-----|-----|-----|
| V30 | 555 | 583 | 611 | 638 | 666 | 694 | 722 |
| V33 | 589 | 618 | 648 | 677 | 707 | 736 | 766 |
| V36 | 627 | 658 | 690 | 721 | 752 | 784 | 815 |
| V42** | 698 | 733 | 768 | 803 | 838 | 873 | 907 |

- 21" Deep
- Two False Drawer Heads
- ** Will Have Center Stile

Vanity Sink Base Cabinet, 2 Drawers & 2 Doors

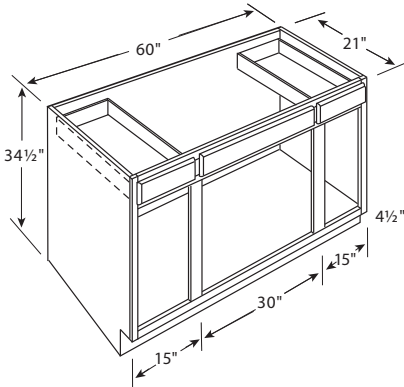


| | 1 | 2 | 3 | 4 | 5 | 6 | 7 |
|----------|-----|-----|-------|-------|-------|-------|-------|
| VSB36 * | 773 | 812 | 850 | 889 | 928 | 966 | 1,005 |
| VSB42 ** | 871 | 915 | 958 | 1,002 | 1,045 | 1,089 | 1,132 |
| VSB48 ** | 948 | 995 | 1,043 | 1,090 | 1,138 | 1,185 | 1,232 |

- 21" Deep
- VSB36 has 10" Wide Drawer Fronts
- VSB42 has 11 1/2" Wide Drawer Fronts
- VSB48 has 11 1/2" Wide Drawer Fronts
- * Under-mount Drawer Glides
- ** Will Have Center Stile

VANITY BASE CABINETS

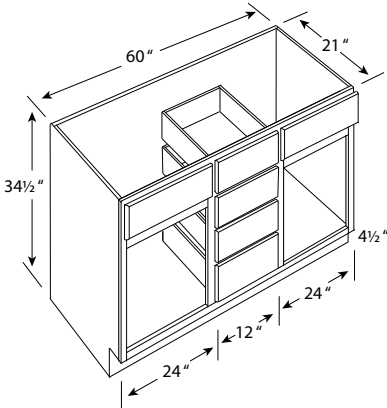
Vanity Sink Base Cabinet, 2 Drawers & 4 Doors



| | 1 | 2 | 3 | 4 | 5 | 6 | 7 |
|-------|------|-------|-------|-------|-------|-------|-------|
| VSB60 | 1166 | 1,224 | 1,283 | 1,341 | 1,399 | 1,458 | 1,516 |

- 21" Deep

Double Vanity Sink Base Cabinet, 4 Drawers & 2 Doors



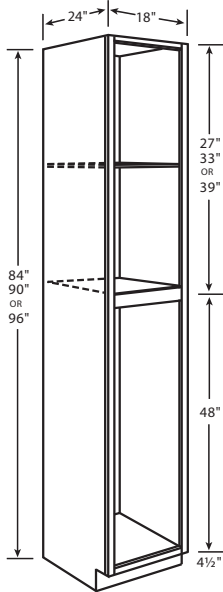
| | 1 | 2 | 3 | 4 | 5 | 6 | 7 |
|-------|------|-------|-------|-------|-------|-------|-------|
| VDB60 | 1131 | 1,188 | 1,244 | 1,301 | 1,357 | 1,414 | 1,470 |

- 21" Deep

- Slab Door Styles Will Have All 6 Slab Drawers

TALL CABINETS

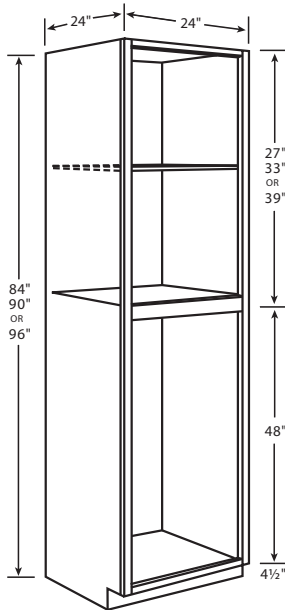
18" Wide Utility Cabinet, 1 Door



| | 1 | 2 | 3 | 4 | 5 | 6 | 7 |
|--------------|------|-------|-------|-------|-------|-------|-------|
| P1884 | 1064 | 1,117 | 1,170 | 1,224 | 1,277 | 1,330 | 1,383 |
| P1890 | 1117 | 1,173 | 1,229 | 1,285 | 1,340 | 1,396 | 1,452 |
| P1896 | 1363 | 1,431 | 1,499 | 1,567 | 1,636 | 1,704 | 1,772 |

- Single Door on Top & Bottom
- 84" & 90" High Cabinets have 4 Adjustable Shelves and 1 Divider Shelf
- 96" High Cabinets have 5 Adjustable Shelves and 1 Divider Shelf
- End Panels are Full Height

24" Wide Utility Cabinet, 2 Doors

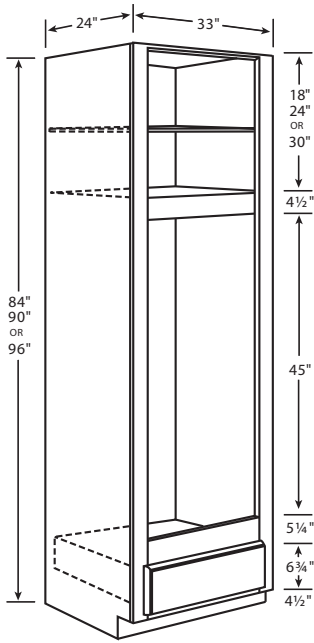


| | 1 | 2 | 3 | 4 | 5 | 6 | 7 |
|--------------|------|-------|-------|-------|-------|-------|-------|
| P2484 | 1335 | 1,402 | 1,469 | 1,535 | 1,602 | 1,669 | 1,736 |
| P2490 | 1453 | 1,526 | 1,598 | 1,671 | 1,744 | 1,816 | 1,889 |
| P2496 | 1679 | 1,763 | 1,847 | 1,931 | 2,015 | 2,099 | 2,183 |

- Butt Doors on Top & Bottom
- 84" & 90" High Cabinets have 4 Adjustable Shelves and 1 Divider Shelf
- 96" High Cabinets have 5 Adjustable Shelves and 1 Divider Shelf
- End Panels are Full Height

TALL CABINETS

Double Oven Cabinet, 1 Drawer

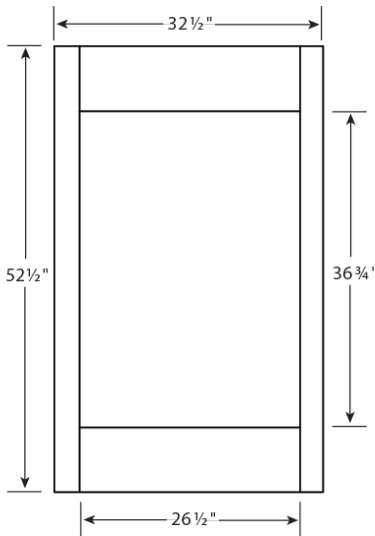


| | 1 | 2 | 3 | 4 | 5 | 6 | 7 |
|----------------|------|-------|-------|-------|-------|-------|-------|
| OC3384D (w/ol) | 1893 | 1,988 | 2,082 | 2,177 | 2,272 | 2,366 | 2,461 |
| OC3390D (w/ol) | 2317 | 2,433 | 2,549 | 2,665 | 2,780 | 2,896 | 3,012 |
| OC3396D (w/ol) | 2350 | 2,468 | 2,585 | 2,703 | 2,820 | 2,938 | 3,055 |

- End Panels are Full Height
- Opening is 30" W x 45" H (All Three Sizes)
- Ships with Oven Cabinet Overlay (See Below)

Oven Cabinet Overlay Panel Detail

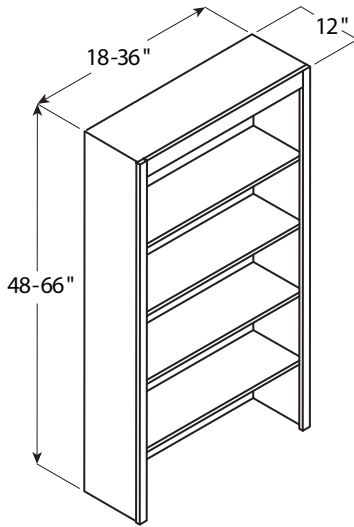
OL-OVENCAB



- Outside Edge is Profiled
- Ships with Oven Cabinets Noted "W/OL" (See Above)
- Opening is 26 1/2" W x 36 3/4" H

TALL CABINETS

Bookcases 48", 54", 60", & 66" x 18", 24", 30", 36" Wide

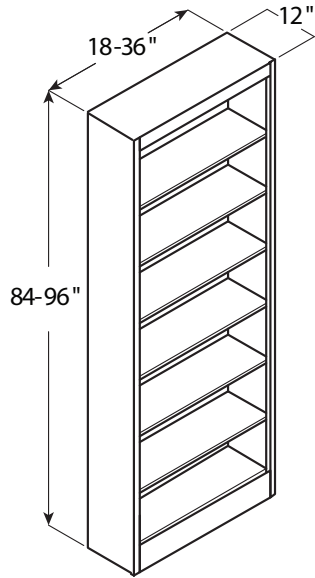


| | 1 | 2 | 3 | 4 | 5 | 6 | 7 |
|----------------|------|-------|-------|-------|-------|-------|-------|
| BU1848S | 660 | 693 | 726 | 759 | 792 | 825 | 858 |
| BU1854S | 743 | 780 | 817 | 854 | 892 | 929 | 966 |
| BU1860S | 825 | 866 | 908 | 949 | 990 | 1,031 | 1,073 |
| BU1866S | 908 | 953 | 999 | 1,044 | 1,090 | 1,135 | 1,180 |
| BU2448S | 882 | 926 | 970 | 1,014 | 1,058 | 1,103 | 1,147 |
| BU2454S | 990 | 1,040 | 1,089 | 1,139 | 1,188 | 1,238 | 1,287 |
| BU2460S | 1100 | 1,155 | 1,210 | 1,265 | 1,320 | 1,375 | 1,430 |
| BU2466S | 1210 | 1,271 | 1,331 | 1,392 | 1,452 | 1,513 | 1,573 |
| BU3048S | 1100 | 1,155 | 1,210 | 1,265 | 1,320 | 1,375 | 1,430 |
| BU3054S | 1239 | 1,301 | 1,363 | 1,425 | 1,487 | 1,549 | 1,611 |
| BU3060S | 1375 | 1,444 | 1,513 | 1,581 | 1,650 | 1,719 | 1,788 |
| BU3066S | 1513 | 1,589 | 1,664 | 1,740 | 1,816 | 1,891 | 1,967 |
| BU3648S | 1320 | 1,386 | 1,452 | 1,518 | 1,584 | 1,650 | 1,716 |
| BU3654S | 1485 | 1,559 | 1,634 | 1,708 | 1,782 | 1,856 | 1,931 |
| BU3660S | 1650 | 1,733 | 1,815 | 1,898 | 1,980 | 2,063 | 2,145 |
| BU3666S | 1815 | 1,906 | 1,997 | 2,087 | 2,178 | 2,269 | 2,360 |

- Bookcases are Offered Through the Modification Program and Extend Lead Time
- Finished Interior and Exterior is Standard
- Increased Depths Available in 1" increments, 18" depth maximum

TALL CABINETS

Bookcases 84", 90", & 96" x 18", 24", 30", 36" Wide

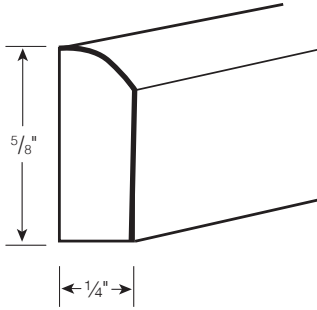


| | 1 | 2 | 3 | 4 | 5 | 6 | 7 |
|----------------|------|-------|-------|-------|-------|-------|-------|
| BU1884S | 1155 | 1,213 | 1,271 | 1,328 | 1,386 | 1,444 | 1,502 |
| BU1890S | 1239 | 1,301 | 1,363 | 1,425 | 1,487 | 1,549 | 1,611 |
| BU1896S | 1320 | 1,386 | 1,452 | 1,518 | 1,584 | 1,650 | 1,716 |
| BU2484S | 1540 | 1,617 | 1,694 | 1,771 | 1,848 | 1,925 | 2,002 |
| BU2490S | 1650 | 1,733 | 1,815 | 1,898 | 1,980 | 2,063 | 2,145 |
| BU2496S | 1760 | 1,848 | 1,936 | 2,024 | 2,112 | 2,200 | 2,288 |
| BU3084S | 1925 | 2,021 | 2,118 | 2,214 | 2,310 | 2,406 | 2,503 |
| BU3090S | 2063 | 2,166 | 2,269 | 2,372 | 2,476 | 2,579 | 2,682 |
| BU3096S | 2200 | 2,310 | 2,420 | 2,530 | 2,640 | 2,750 | 2,860 |
| BU3684S | 2309 | 2,424 | 2,540 | 2,655 | 2,771 | 2,886 | 3,002 |
| BU3690S | 2475 | 2,599 | 2,723 | 2,846 | 2,970 | 3,094 | 3,218 |
| BU3696S | 2640 | 2,772 | 2,904 | 3,036 | 3,168 | 3,300 | 3,432 |

- Bookcases are Offered Through the Modification Program and Extend Lead Time
- Finished Interior and Exterior is Standard
- Increased Depths Available in 1" increments, 18" depth maximum

MOULDINGS & ACCENTS

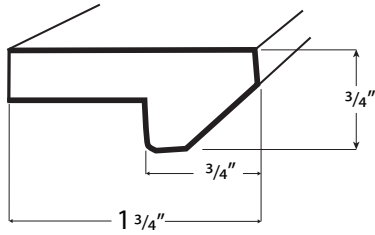
5/8" Scribe Moulding



| | Stains | Paints |
|-----|--------|--------|
| SM8 | 72 | 76 |

- 8' Long

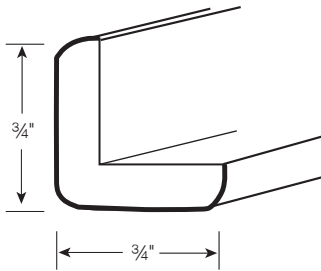
Light Rail Moulding



| | Stains | Paints |
|-----|--------|--------|
| LR8 | 99 | 104 |

- 8' Long

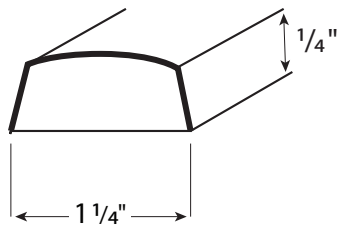
Outside Corner Moulding



| | Stains | Paints |
|------|--------|--------|
| OCM8 | 74 | 78 |

- 8' Long

Batten Moulding



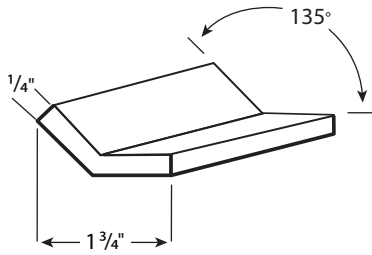
| | Stains | Paints |
|--------|--------|--------|
| BATTEN | 95 | 100 |

- 8' Long

Bold line on drawings indicates finished sides

MOULDINGS & ACCENTS

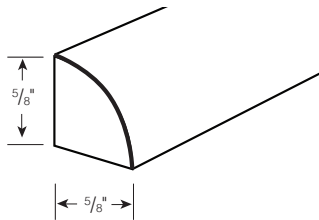
135 Outside Corner Moulding



| | Stains | Paints |
|----------|--------|--------|
| OCM135-8 | 94 | 99 |

- 8' Long

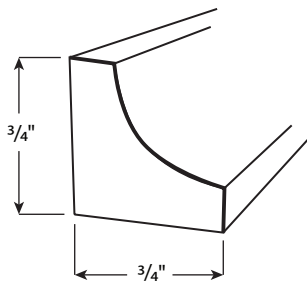
Shoe Moulding



| | Stains | Paints |
|---------|--------|--------|
| SHOEMLD | 76 | 80 |

- 8' Long

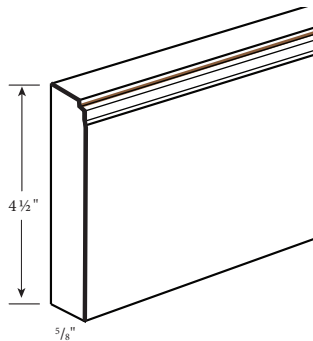
Small Cove Moulding



| | Stains | Paints |
|------|--------|--------|
| COVE | 79 | 83 |

- 8' Long

Base Moulding



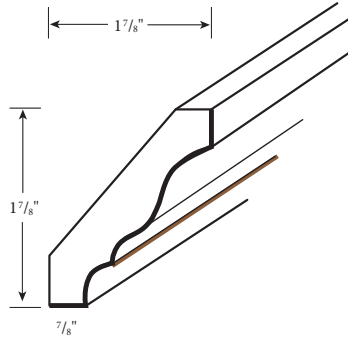
| | Stains | Paints |
|---------|--------|--------|
| BASEMLD | 244 | 256 |

- 8' Long

Bold line on drawings indicates finished sides

MOULDINGS & ACCENTS

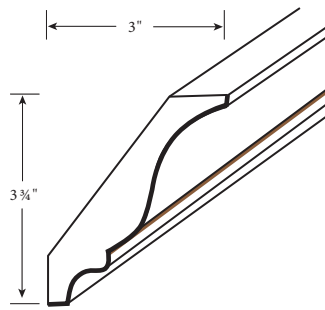
2 3/4" Crown Moulding



| | Stains | Paints |
|-----|--------|--------|
| CM8 | 166 | 174 |

- 8' Long

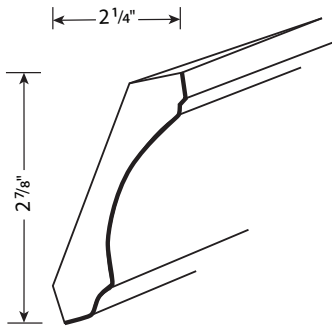
4 1/8" Large Crown Moulding



| | Stains | Paints |
|------|--------|--------|
| BCM8 | 213 | 224 |

- 8' Long

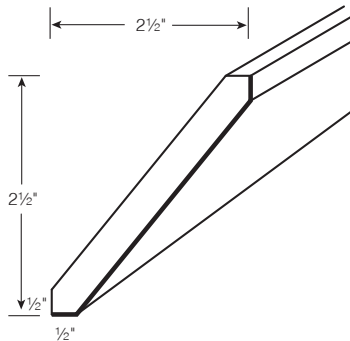
3 5/8" Large Cove Moulding



| | Stains | Paints |
|-----------|--------|--------|
| CROWNCOVE | 199 | 209 |

- 8' Long

3 1/2" Shaker Crown Moulding



| | Stains | Paints |
|-------------|--------|--------|
| SHAKERCROWN | 198 | 208 |

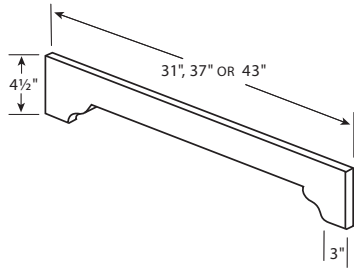
- 8' Long

- Check Stock Sheet for Availability

Bold line on drawings indicates finished sides

MOULDINGS & ACCENTS

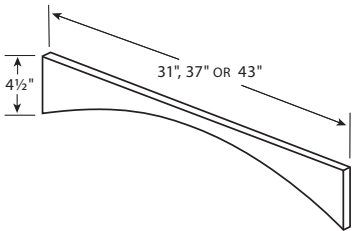
Beckony Valance



| | Stains | Paints |
|------|--------|--------|
| V31D | 65 | 68 |
| V37D | 78 | 82 |
| V43D | 90 | 95 |

- Discontinued, Limited Quantities

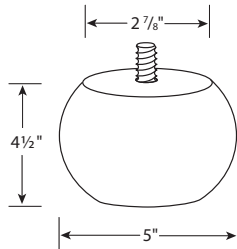
Arched Valance



| | Stains | Paints |
|------|--------|--------|
| V31E | 65 | 68 |
| V37E | 78 | 82 |
| V43E | 90 | 95 |

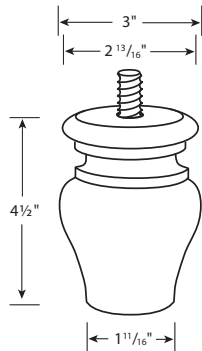
- Discontinued, Limited Quantities

Bun Foot



| | Stains | Paints |
|---------|--------|--------|
| BUNFOOT | 74 | 78 |

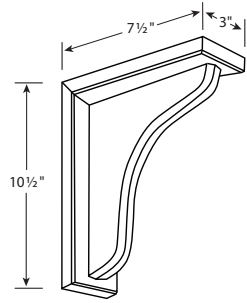
Tulip Bun Foot



| | Stains | Paints |
|--------------|--------|--------|
| TULIPBUNFOOT | 74 | 78 |

MOULDINGS & ACCENTS

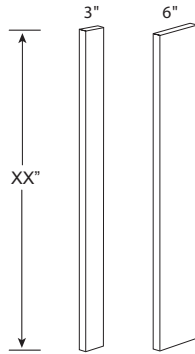
Plain Corbel



| | Stains | Paints |
|-------|--------|--------|
| PLCOR | 86 | 90 |

- Unglazed
- Profiles May Vary Slightly from Picture

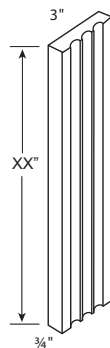
3" & 6" Fillers



| | Stains | Paints |
|------|--------|--------|
| F330 | 59 | 62 |
| F336 | 69 | 72 |
| F342 | 74 | 78 |
| F396 | 161 | 169 |
| F630 | 99 | 104 |
| F636 | 109 | 114 |
| F642 | 124 | 130 |
| F696 | 294 | 309 |

- Standard Finish Includes One Face and Two Sides
- 3/4" Thick

3" Fluted Fillers

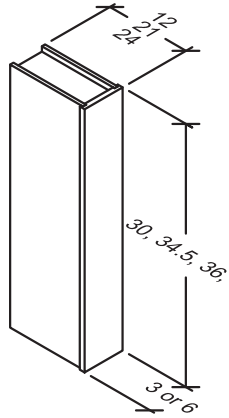


| | Stains | Paints |
|-------|--------|--------|
| F330F | 66 | 69 |
| F336F | 75 | 79 |
| F342F | 81 | 85 |
| F396F | 185 | 194 |

- Discontinued, Limited Quantities
- Three Flutes Run the Length of the Filler
- Glazed Flutes on Glazed Door Styles Only
- 3/4" Thick

FILLERS & PANELS

Column Box Filler, 3" or 6" Wide

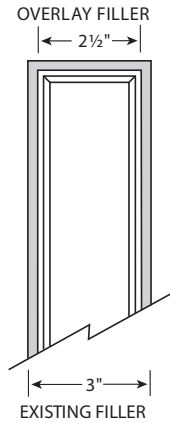


| | Stains | Paints |
|----------|--------|--------|
| CBF33012 | 399 | 419 |
| CBF33412 | 380 | 399 |
| CBF33612 | 396 | 416 |
| CBF34212 | 413 | 434 |
| CBF39612 | 549 | 576 |
| CBF33021 | 369 | 387 |
| CBF33421 | 385 | 404 |
| CBF33621 | 402 | 422 |
| CBF34221 | 418 | 439 |
| CBF39621 | 549 | 576 |
| CBF33024 | 374 | 393 |
| CBF33424 | 391 | 411 |
| CBF33624 | 407 | 427 |
| CBF39624 | 549 | 576 |
| CBF63012 | 380 | 399 |
| CBF63412 | 396 | 416 |
| CBF63612 | 407 | 427 |
| CBF64212 | 424 | 445 |
| CBF69612 | 549 | 576 |
| CBF63021 | 380 | 399 |
| CBF63421 | 402 | 422 |
| CBF63621 | 413 | 434 |
| CBF64221 | 429 | 450 |
| CBF69621 | 549 | 576 |
| CBF63024 | 385 | 404 |
| CBF63424 | 407 | 427 |
| CBF63624 | 418 | 439 |
| CBF64224 | 435 | 457 |
| CBF69624 | 549 | 576 |

- Column Boxes are Offered Through the Modification Program and Extend Lead Time
- Finished Interior and Exterior is Standard

FILLERS & PANELS

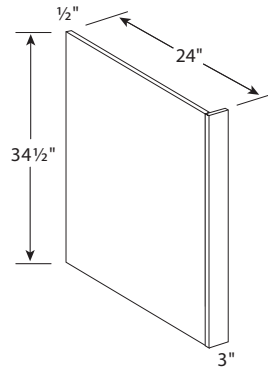
Overlay Filler



| | Stains | Paints |
|--------|--------|--------|
| OLF312 | 39 | 41 |
| OLF315 | 41 | 43 |
| OLF330 | 43 | 45 |
| OLF336 | 47 | 49 |
| OLF342 | 49 | 51 |
| OLF384 | 98 | 103 |
| OLF396 | 272 | 286 |

- Matches Door and Drawer Reveal

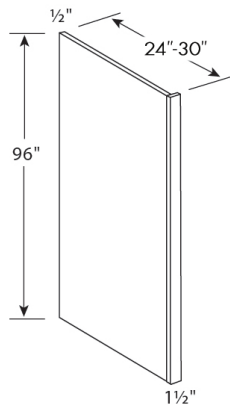
Base End Panel / Dishwasher Return



| | Stains | Paints |
|-------------------|--------|--------|
| DWR3 (Reversible) | 219 | 230 |

- Front Filler Extends 1/4" on Finished Side of Panel

Refrigerator End Panel Return 1.5

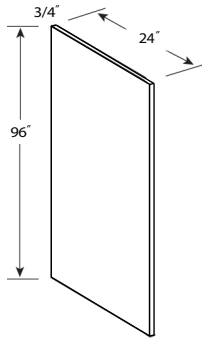


| | Stains | Paints |
|-----------|--------|--------|
| REP1.5-24 | 329 | 345 |
| REP1.5-30 | 355 | 373 |

- Front Filler Extends 1/4" on Finished Side of Panel
 - End Panels are Reversible

PANELS & ACCESSORIES

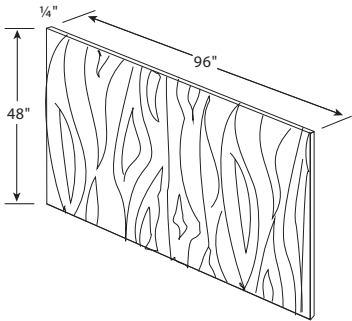
Refrigerator End Panel .75



| | Stains | Paints |
|-----------|--------|--------|
| REP.75-24 | 430 | 452 |

- Edgebanded on Two, Long Edges
- Both Sides Finished

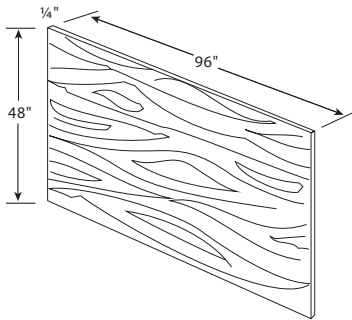
Short Grain Panel 48" x 96" x 1/4"



| | Stains | Paints |
|----------|--------|--------|
| BP9648SG | 529 | N/A |

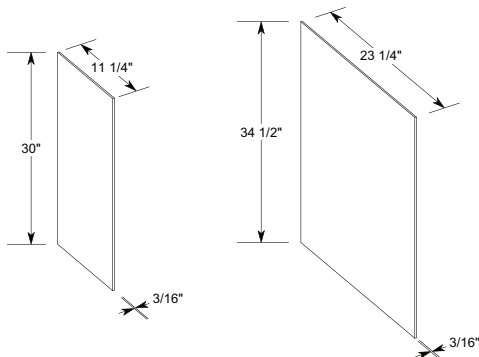
- Not Available in Painted Door Styles

Long Grain Panel 48" x 48" and 96" x 48" x 1/4"



| | Stains | Paints |
|-----------|--------|--------|
| BP4848 | 370 | N/A |
| BP4848MDF | N/A | 389 |
| BP4896LG | 529 | N/A |
| BP4896MDF | N/A | 555 |

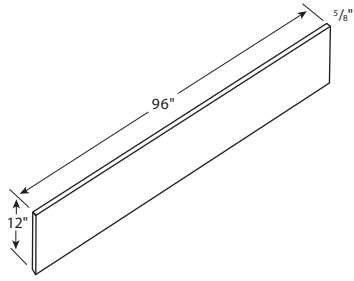
Skins (for Walls & Bases)



| | Stains | Paints |
|---------------|--------|--------|
| SKINWALL30 | 94 | 99 |
| SKINWALL36 | 118 | 124 |
| SKINWALL42 | 129 | 135 |
| SKINBASELEFT | 159 | 167 |
| SKINBASERIGHT | 159 | 167 |
| SKINTALL | 281 | 295 |

ACCESSORIES

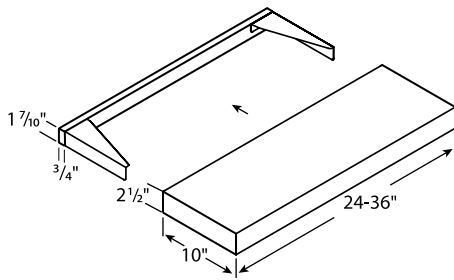
Shelf Material



| | Stains | Paints |
|-------------------|--------|--------|
| SHELF12X96 | 217 | 228 |

- 12" x 96" x 5/8"
- Natural Birch Veneer or Finished to Match Door Color
- One Long Edge Banded

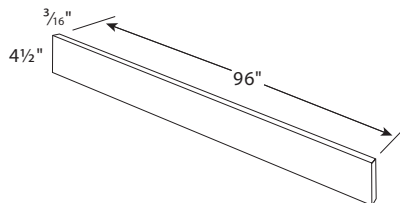
Floating Shelf



| | Stains | Paints |
|---------------------|--------|--------|
| SHEFFFLOAT24 | 438 | 460 |
| SHEFFFLOAT30 | 459 | 482 |
| SHEFFFLOAT36 | 502 | 527 |
| SHEFFFLOAT42 | 547 | 574 |
| SHEFFFLOAT48 | 596 | 626 |
| SHEFFFLOAT54 | 650 | 683 |
| SHEFFFLOAT60 | 709 | 744 |

- Comes with Installation Bracket
- Cannot be Modified

Toe Kick Cover

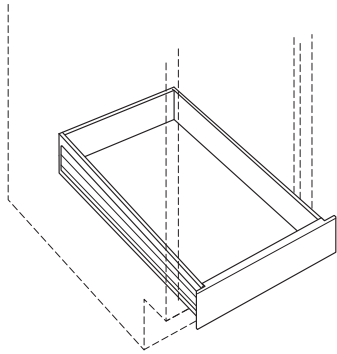


| | Stains | Paints |
|-------------|--------|--------|
| TKS8 | 74 | 78 |

- 3/16" x 4 1/2" x 96" (Stain)
- 1/4" x 4 1/2" x 96" (Paint)
- 8' Long

ACCESSORIES

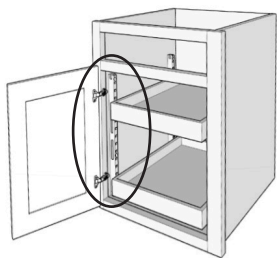
Roll Out Tray



| | |
|---------------|-----|
| B15ROT | 279 |
| B18ROT | 287 |
| B21ROT | 294 |
| B24ROT | 303 |
| B27ROT | 308 |
| B30ROT | 318 |
| B33ROT | 326 |
| B36ROT | 333 |

- 4" Tall, Dovetail Drawers
- Full Extensions, Soft Close Undermount Glides
- Will Fit into Tall Units
- To be used with Pilaster Kits, sold separately
- Not Installed; Tray Ships Separately From Cabinet

Pilaster Kit for Roll Out Tray



Pilaster Kit Installed
(Roll Out Trays not included)



Pilaster




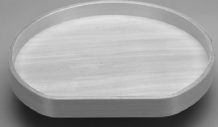





**Hook
Dowel**

| | Stains | Paints |
|--------------------------|---------------|---------------|
| PILASTERKIT | 95 | 95 |
| PILASTERSETINSTLD | 113 | 113 |



- Pilaster Kit comes with 4 Pilasters and 8 Hook Dowels
- Roll Out Tray is Sold and Ships Separately
- Order 1 Kit for a Base Cabinet and 2 Kits for Pantries



ACCESSORIES - INSTALLED


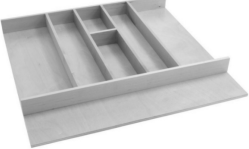
Rev-A-Shelf Accessories

| Image | Lazy Susans | Description | Installs with | List Price |
|---|---------------------|--|-------------------|------------|
|  | LD-4BW-001-18SB-8 | 18" lazy daisy banded wood full circle (3 trays included) | all CW24 cabinets | 867 |
|  | LD-4BW-201-20SBS-8 | 20" lazy daisy banded wood D-shape (3 trays included) | all CW27 cabinets | 897 |
|  | LD-4BW-401-28SBS-40 | 28" lazy daisy banded wood kidney swivel mount (2 trays included) | ER36, ER33 | 658 |
|  | 3072-18-11-52 | 18" full circle white polymer 2 tray set | CW2430 | 240 |
|  | 3073-18-11-531 | 18" full circle white polymer 3 tray set w/31" lower shaft | CW2436 | 319 |
|  | 3073-18-11-536 | 18" full circle white polymer 3 tray set w/36" lower shaft | CW2442 | 341 |
|  | 3073-20-11-531 | 20" full circle white polymer 3 tray set w/31" lower shaft | CW2736 | 350 |



ACCESSORIES - INSTALLED



| Image | Lazy Susans (continued) | Description | Installs with | List Price |
|---|-------------------------|---|---------------|------------|
|  | 3073-20-11-536 | 20" full circle white polymer 3 tray set w/36" lower shaft | CW2742 | 371 |
|  | LD-2472-28-11-1 | 28" lazy daisy white polymer kidney 2 tray set | ER36, ER33 | 283 |



| Image | Tilt-Out Trays | Description | Installs with | List Price |
|---|-----------------|--|---------------|------------|
|  | LD-6572-11-11-1 | 11" deluxe white tilt-out trays (pair) w/45° hinges | SB33 | 79 |
|  | LD-6572-14-11-1 | 14" deluxe white tilt-out trays (pair) w/45° hinges | SB36 | 84 |

| Image | Utensil Organizers | Description | Installs with | List Price |
|---|--------------------|---|--------------------|------------|
|  | 4WUT-1SH | utensil organizer insert 18.5" x 22" | B18, B21, B24 | 169 |
|  | 4WUT-3SH | utensil organizer insert 24" x 22" | B18, B21, B24, B27 | 220 |

ACCESSORIES - INSTALLED

| Image | Cutlery Trays | Description | Installs with | List Price |
|---|---------------|---------------------------------------|---|------------|
|  | 4WCT-1SH | wood cutlery tray for 12"-18" cabinet | B12, B15, B18, B33, B36, DB12, DB15, DB18 | 180 |
|  | 4WCT-3SH | wood cutlery tray for 21"-24" cabinet | B21, B24, B27, B39, B42, DB24 | 222 |


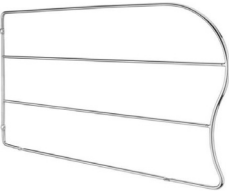
| Image | Spice Organizers | Description | Installs with | List Price |
|---|------------------|--|---------------|------------|
|  | 4SDI-18 | trimmable spice organizer insert 16" x 19" | B15, B18, B21 | 227 |
|  | 4SDI-24 | trimmable spice organizer insert 22" x 19" | B21, B24, B27 | 249 |

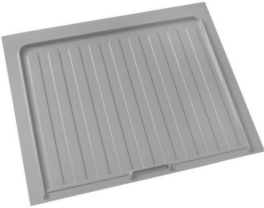
| Image | Waste Containers | Description | Installs with | List Price |
|---|------------------|------------------------------------|---------------|------------|
|  | 4WCTM-12DM1-21 | top mount waste container - single | B15 | 435 |
|  | 4WCTM-18DM2-18 | top mount waste container - double | B18 | 481 |




Please Note: All wall and base pull-outs have ball bearing slides (not soft-close) unless otherwise noted.

ACCESSORIES - NOT INSTALLED

Rev-A-Shelf Accessories




| Image | Chrome Tray Dividers | Description | Installs with | List Price |
|---|----------------------|------------------------------------|--|------------|
|  | LD-597-12CR-10 | 12" lazy daisy chrome tray divider | universal in all base cabinets, W361824, W362424 | 42 |
|  | LD-597-18CR-10 | 18" lazy daisy chrome tray divider | universal in all base cabinets, W362424 | 45 |



| Image | Base Drip Tray | Description | Installs with | List Price |
|--|----------------|---|---------------|------------|
|  | SBDT-3336-A-1 | sink base drip tray 33/36 almond <i>(will need to be cut down to fit the SB33)</i> | SB33, SB36 | 187 |

| Image | Wall Filler Pull-Outs | Description | Installs with | List Price |
|---|-----------------------|--|---------------------|------------|
|  | 432-WF-3C-RR | 3" wall filler pull-out w/shims 30" tall <i>(filler not included)</i> | all 3" wall fillers | 502 |
|  | 432-WF36-3C-RR | 3" wall filler pull-out w/shims 36" tall <i>(filler not included)</i> | all 3" wall fillers | 539 |
|  | 432-WF42-3C-RR | 3" wall filler pull-out w/shims 42" tall <i>(filler not included)</i> | all 3" wall fillers | 572 |

Please Note: All wall and base pull-outs have ball bearing slides (not soft-close) unless otherwise noted.



ACCESSORIES - NOT INSTALLED





| Image | Wall Filler Pull-Outs | Description | Installs with | List Price |
|---|-----------------------|---|---------------------|------------|
|  | 432-WF-6C-RR | 6" wall filler pull-out w/shims 30" tall <i>(filler not included)</i> | all 6" wall fillers | 512 |
|  | 432-WF-36-6C-RR | 6" wall filler pull-out w/shims 36" tall <i>(filler not included)</i> | all 6" wall fillers | 655 |
|  | 432-WF42-6C-RR | 6" wall filler pull-out w/shims 42" tall <i>(filler not included)</i> | all 6" wall fillers | 632 |

| Image | Base Filler Pull-Outs | Description | Installs with | List Price |
|---|-----------------------|---|---------------------|------------|
|  | 432-BF-3C-RR | 3" base filler pull-out w/shims 30" tall <i>(filler not included)</i> | all 3" base fillers | 553 |
|  | 432-BF-6C-RR | 6" base filler pull-out w/shims 30" tall <i>(filler not included)</i> | all 6" base fillers | 673 |

Please Note: All wall and base pull-outs have ball bearing slides (not soft-close) unless otherwise noted.





ACCESSORIES - NOT INSTALLED

| Image | Base Organizers (cont.) | Description | Installs with | List Price |
|---|-------------------------|--|---------------|------------|
|  | 448-BC-5C-28 | 5" base organizer pull-out with adjustable shelves | B9 | 590 |
|  | 447-BCSC-5C | 5" base organizer pull-out with tray divider, soft close | B9 | 590 |

| Image | Repair Items | Description | List Price |
|---|-----------------|---|------------|
|  | TOUCHUPKITXX | Touch-Up Kit includes: (1) Fil-Stik which is a semi-hard putty in stick form and (1) color match marker (available in all paint colors and stains, except Natural) | 53 |
|  | BLENDER-SPRAY | Blender spray is designed for blending spray lines, blending overspray and blending minor surface scratches on C.A.B. lacquer finishes. | 43 |
|  | TOPCOAT - SPRAY | Top Coat is a 25 sheen acrylic clear coat and is applied over Spray Paint repairs. | 47 |
|  | SPRAYPAINTXX | Spray Paint is applied over Hard Fill repairs to create a seamless finish. (available in all paint colors) | 83 |

Please Note: All wall and base pull-outs have ball bearing slides (not soft-close) unless otherwise noted.

ACCESSORIES - NOT INSTALLED

| Image | Repair Items (cont.) | Description | List Price |
|--|---------------------------------|---|------------|
|  | <p>HARD-FILL-STICKXX</p> | <p>Hard Fill Sticks require a Burn-In Knife (sold separately) to melt the product and fill defects, dents, scratches and nicks in cabinetry.</p> <p>(available in all paint colors)</p> | <p>60</p> |
|  | <p>BURNINKNIFE</p> | <p>Burn-In Knife is used to heat and melt the Hard Fill Stick onto the repair site of the cabinetry.</p> | <p>130</p> |
|  | <p>HARDFILLTOOL</p> | <p>Hard Fill Tool is designed to level the Hard Fill product on the repair area of the cabinetry.</p> | <p>67</p> |
|  | <p>REPAIRKIT</p> | <p>Repair Kit includes: (1) Burn-in Knife, (1) set of Hard Fill Sticks in all seven paint colors, (1) Hard Fill Tool, and sandpaper</p> | <p>750</p> |

Osborne Wood Products Program

RiverRun Cabinetry will finish **paint grade Soft Maple (for paint)** and **Russian Birch (for stain)** items to match your RiverRun Cabinets.

Please follow instructions closely.

1. Visit OsborneWood.com and add your selected items to your cart.
2. At Checkout, complete the "Shipping & Billing" address page as shown below:

Shipping & Billing Address
▲

| Shipping Address | Billing Address |
|---|---|
| Company Name: <input type="text" value="RiverRun Cabinetry"/> | Company Name: <input type="text"/> |
| First Name: <input type="text" value="Your RiverRun Order #"/> | First Name: <input type="text"/> <small>* First Name required.</small> |
| Last Name: <input type="text" value="Your Business Name"/> | Last Name: <input type="text"/> <small>* Last Name required.</small> |
| Phone Number: <input type="text" value="540-438-5973"/> | Phone Number: <input type="text"/> <small>* Phone Number required.</small> |
| Email Address: <input type="text" value="CustomerService@RiverRunCabinetry.com"/> <small>* Email required.</small> | Order Confirmation Email: <input type="text"/> |
| Street 1: <input type="text" value="4660 Early Road"/> | Street 1: <input type="text"/> <small>* Street 1 required.</small> |
| Street 2: <input type="text"/> | Street 2: <input type="text"/> |
| Country: <input style="border: none; background-color: #eee; width: 100%;" type="text" value="U.S.A."/> | Country: <input style="border: none; background-color: #eee; width: 100%;" type="text" value="U.S.A."/> |
| State: <input style="border: none; background-color: #eee; width: 100%;" type="text" value="Virginia"/> | State: <input style="border: none; background-color: #eee; width: 100%;" type="text" value="Virginia"/> |
| City: <input type="text" value="MT CRAWFORD"/> | City: <input type="text"/> <small>* City required.</small> |
| Zip Code: <input type="text" value="22841"/> | Zip Code: <input type="text"/> <small>* Zip Code required.</small> |
| <input type="checkbox"/> Same As Shipping Address | |

Proceed to Shipping and Payment

3. We will receive your package, unpack, inspect for damage, finish the same color as your RiverRun order number indicated on your referenced order.
4. RiverRun will re-pack your finished products and ship them to you.

Please Note:

- You must order and pay for the items with Osborne Wood Products.
- You must select **paint grade Soft Maple** (for paints) or **Russian Birch** (for stains) for wood species.
- If we do not receive your products within ample time for finishing, we will charge a delivery fee to FedEx or Cycle Ship your Osborne Wood Product items to you.
- Must be accompanied with a minimum 5 cabinet order.

Costs for Finishing (Net Prices):

- Island Legs, Posts, Split Posts up to 5" wide, 42" tall \$100
- Corbels, Shelf supports up to 5" wide, 16" tall \$55
- Larger items up to 60" wide, 42" tall, 24" deep \$225
- Hoods, larger than 60" wide, 42" tall \$15 per square foot or \$275 (whichever is greater)



REPLACEMENT FORM

DEALER CONTACT INFO:

Email this form to **damages@riverruncabinetry.com** and photo(s) of the damage. Once we receive the completed form and photos, we will begin processing your replacement order.

Dealer Name: _____ Contact: _____

Contact Email: _____ Contact Phone: _____

DAMAGE/WARRANTY INFO:

Is this a damage or warranty replacement? Damage* Warranty**

Was the damage noted on the Bill of Lading? Yes No

SALES ORDER NUMBER: _____ DATE: _____

| ITEM/SKU/DOOR STYLE | PART NEEDED | QUANTITY OF PARTS NEEDED | DESCRIPTION OF ISSUE † |
|---------------------|-------------|--------------------------|------------------------|
| | | | |
| | | | |
| | | | |
| | | | |

† **Choose from one of the following:** Dent (Molding, Doors, Panels), Nicked, Corner Damage, Scratches/Rub Marks, Cracked Doors/Face Frames, Sanding Dips, Shipping Damage, Poor Repair, Out Of Square, Warped, Over/Under Sized, Shelf Clip Holes Missing/Wrong, Grooves Off Location, Open Tennon Joint, Glue Seam Separated, Parts Out of Spec, Dirt in Finish, Bubbles In Top Coat, Paint Chipping, Color Out Of Spec, Halos, Rough Edges, Orange Peel, Shipped Wrong Item, Missing from Shipment, Mislabeled Item, Handling issues, Hinge issues, Multiple issues

REPLACEMENT SHIP TO INFO: Where should we send your replacement item(s)?

SHIPPING ADDRESS: _____

CITY: _____ ST: _____ ZIP: _____

Please Check All that Apply: Delivery Notification Lift Gate Services Residential/Limited Access Area

* **DAMAGED ITEMS:** Do not assemble (if unassembled), install, use, destroy, or discard damaged item(s) as they are property of the freight carrier. Damaged item(s) must be available for the shipping company to retrieve. If the carrier is unable to reclaim the part, you will be charged for the replacement item.

** **WARRANTY ITEMS:** This warranty is expressly limited to the repair or replacement of the defective component parts at our discretion. Our liability is expressly limited to the cost of the material for the repair or replacement of defective goods. PLEASE REVIEW THE WARRANTY information in this sales binder or on our website: www.riverruncabinetry.com.



SHOWROOM DISPLAY PROGRAM & AGREEMENT

We are pleased to offer you 50% off on showroom displays!

The following details the eligibility requirements:

- Displays are to be in a primary retail showroom space.
- Displays are to be a representation of the product as a kitchen (6 cabinets in the same style).
- Display must be installed within 30 days of delivery.
- Display must be used as a showroom display for a minimum of 12 months.

Customer Service will review the display order once it is submitted. They will have final approval over whether orders qualify as displays and if they receive the display discount.

- This program does not include sales aids or vanities as stand alone displays.
- Modifications can be made to these cabinets, however modification prices are not discounted.
- Standard freight charges apply.

I agree to the RiverRun Showroom Display rules and guidelines,

DEALER SIGNATURE

DATE

DISPLAY INVOICE NUMBER

Please email this form along with your display order to: Order@RiverRunCabinetry.com



EMAIL REGISTRATION

Dealer Code: _____

Select One: New Update Cancel

Complete this form to register your email address with RiverRun Cabinetry. Once your email is registered, you will be set up to send/receive orders electronically via email.

All your order communication - submitting orders/expedites, receiving acknowledgements and making revisions - is via one order entry email address: Order@RiverRunCabinetry.com (Warranty emails should be sent to a separate email address: Damages@RiverRunCabinetry.com)

Program Details

- One registering your email with RiverRun, all order communication must be emailed in.
- One email address per designer/salesperson. Orders may be submitted only via your registered email. Acknowledgements will be returned to the same registered email address.
- Expedites and revisions must also be submitted via email to: Order@RiverRunCabinetry.com
- Warranties should be submitted via email to: Damages@RiverRunCabinetry.com
- Please keep your email address current. Use this form to inform RiverRun of an email address change or to remove an email address from our system.
- Privacy: RiverRun will on occasion use your email to communicate promotions and updates, but will never share your email with outside vendors.

DEALER NAME: _____

ADDRESS: _____

CITY, STATE, ZIP: _____

PHONE: _____

GENERAL DEALERSHIP EMAIL (promos, price updates, etc.)

EMAIL: _____

DESIGNER NAME: _____

EMAIL: _____

DESIGNER NAME: _____

EMAIL: _____

DESIGNER NAME: _____

EMAIL: _____

