



How RiverRun Cabinetry Compares . . .
1/2" Hardwood Construction
Natural Birch Plywood Interiors
Near- Flush Finished Ends (Option)
All Full Overlay Door Styles
7 - Five Piece MDF Painted Doors, All Reversed Raised or Raised Panel
KCMA Performance Certified
Numerous Paint and Stain Options - "All the Right Colors"
Soft-Close, 6-way Adjustable Hinges - Standard
Dovetail Drawers with Full-Extension, Soft-Close Slides - Option
Customization - Depth, Extended Stiles, Pipe Chase, Finished Interiors
Popular Accessories with Install Options
Many Specialty SKU's
Weekly Cycle Ship Deliveries
Delivered Floor Loaded, on Dedicated Cabinet Delivery Trucks
User-Friendly Spec Book and Easy Online Ordering System
2020 Design Catalog
ProKitchen Catalog
2020 Design KIT File Order Process Option
Experienced Customer Service Team and Factory Support
Display and Sample Programs
Special Programs for Multi-Unit Projects
10-Year Limited Warranty

RiverRun Cabinetry is a privately held manufacturer based in Mt Crawford, VA. RiverRun provides cabinetry for every application in your customers' homes at extremely competitive pricing. The Secret: Our components are bulk purchased controlling our pricing and quality. To learn more about RiverRun Cabinetry check out our website: riverruncabinetry.com and join a winning team.



TABLE OF CONTENTS

RiverRun Cabinetry

General Info GENERAL INFORMATION

- **Team Directory** GI-1
- **Getting Started** GI-3
 - New Account Set-Up GI-3
 - Dealer Site Registration GI-3
 - Online Order Site Access GI-3
 - Customer Service Contact Information GI-3
- **Step-By-Step Order Process** GI-4
- **Placing Orders**
 - Online Ordering GI-5
 - Emailing 2020 Design (KIT) Files GI-5
 - Design Software Options GI-5
 - Expedited Orders GI-5
 - Cancellation Policy GI-6
- **Shipping Program Information**
 - Cycle Ship Program GI-7
 - Calculating Freight Costs (LTL / Non-Cycle Ship) GI-7
 - Shipping Address Changes GI-7
 - Registering New Ship To Locations GI-8
 - Carriers GI-8
 - Pick Ups GI-8
 - Missed Deliveries GI-8
 - Missing Item From Delivery/Shipment GI-8
- **Damages & Warranties**
 - Damage Program GI-9
 - Damage Replacement Process GI-9
 - Warranty Program GI-9
 - Warranty Replacement Process GI-9
- **Ten Year Limited Warranty** GI-10

Specs & Finishes CABINET SPECS & FINISHES

- **General Product Notes** SF-1
- **Standard Materials and Construction Information** SF-2
- **Wall Cabinet Construction** SF-3
- **Base Cabinet Construction** SF-4

(continued on next page)

CABINET SPECS & FINISHES *(continued)*

- **Door Styles & Finishes Availability** SF-5
 - Parkview Doors SF-6
 - Jefferson Doors SF-6
 - Cambridge Doors SF-7
 - Dalton Doors SF-7
 - Hampton & Lenox Chestnut Doors SF-8
- **Door Sizes** SF9 - 11
- **Drawer Front Sizes** SF-12

Custom Made
CUSTOM MODIFICATIONS

- **Modification Descriptions & Images** CM1 - 6
 - Reduced Depth (RD) CM-1
 - Increased Depth (ID) CM-1
 - Recess Toe Kick on Right or Left or Back (BTKR or L or B) CM-1
 - Recess Toe Kick on Right and Left (BTKRL) CM-1
 - Toe Kick Removed (BTKN) CM-2
 - Add Toe Kick to Wall with Toe Kick Space at Front Only (WTKF) CM-2
 - Add Toe Kick to Wall with Toe Kick Space to Right or Left (WTKR or L) CM-2
 - Add Toe Kick to Wall with Toe Kick Space to Right and Left (WTKRL) CM-2
 - Add Toe Kick to Wall with Toe Kick Space to Front and Right or Left (WTKFR or L) CM-2
 - Add Toe Kick to Wall with Toe Kick Space to Front, Right and Left (WTKFRL) CM-3
 - Face Frame, Drawer Front and Door Only (TP) CM-3
 - Case Only (CO) CM-3
 - No Doors (OMITDOORS) CM-3
 - Finished Interior (FI) CM-3
 - Finished Interior Tall (FIT) CM-4
 - Pipe Chase Cut-Out on Right or Left Corner (PCR or L) CM-4
 - Pipe Chase Cut-Out on Middle (PCM) CM-4
 - Install Extended Stile on Right or Left (ESR or L) CM-4
 - Install Extended Stile on Right and Left (ESRL) CM-4
 - Peninsula Cabinet (PN) CM-5
 - Wall End Panels (WEP) & Base End Panels (BEP) Factory Installed CM-5
 - Install Full Depth Shelf (FDS) CM-5
 - Prep For Glass (PG) CM-5
 - Reversed Base Cabinet Drawer (BD) CM-5
 - Finished Ends CM-6
 - Convert 2 Drawers to 1 Drawer (IDRW) CM-6
- **Summary Modifications & List Prices** CM-7

(continued on next page)

Walls
WALL CABINETS

- Wall Cabinets W1 - 4
- Corner Wall Cabinets W5 - 6
- Blind Wall Cabinets W6 - 7
- Specialty Wall Cabinets W8 - 10
- Mullion Doors W-11
- Wall End Panels W-12
- Wall End Panel Kits W-12

Bases
BASE CABINETS

- Base Cabinets B1 - 2
- Sink Base Cabinets B2 - 3
- Base Microwave Cabinet B-3
- Drawer Base & Easy Reach Cabinets B-4
- Blind Base Cabinets B-5
- Specialty Base Cabinets B-6
- Base End Panel B-7
- Base End Panel Kit B-7

Vanities
VANITY CABINETS

- Vanity Base Cabinets V1 - 3

Talls
TALL CABINETS

- Utility Cabinets T-1
- Double Oven Cabinet T-2
- Bookcases T3 - 4

Accessories
ACCESSORIES

- Mouldings & Accents - Decorative Accents A1 - 2
- Crown Mouldings A-3
- Mouldings & Accents - Decorative Accents A4 - 5
- Fillers A5 - 7
- Panels & Skins A7 - 8
- Shelving A-9
- Toe Kick Cover A-9
- Roll Out Trays A-10
- Pilaster Kits A-10

(continued on next page)

ACCESSORIES *(continued)*

- **Accessories - Installed**A11 - 13
 - Lazy SusansA11 - 12
 - Tilt Out Trays A-12
 - Utensil Organizers & Cutlery TraysA12 - 13
 - Spice Organizers A-13
 - Waster Containers A-13
- **Accessories - Not Installed**A14 - 17
 - Chrome Tray Dividers A-14
 - Base Drip Tray A-14
 - Wall Filler Pull-OutsA14 - 15
 - Base Filler Pull-OutsA15 - 16
 - Repair ItemsA16 - 17
- **Osborne Wood Products Program** A-18

Forms
FORMS

- Replacement Form (Damage/Warranty) F-1
- Showroom Display Program & Agreement F-2
- Email Registration F-3



TEAM DIRECTORY

GENERAL INFORMATION

<u>NAME</u>	<u>TITLE/RESPONSIBILITY</u>	<u>EXT</u>	<u>EMAIL</u>
Customer Service	General Inquiries	540-438-5973 . . .	CustomerService@RiverRunCabinetry.com
Damage/Warranty	Damage/Warranty Inquiries		Damages@RiverRunCabinetry.com
Order Inquiries	(for items not on Online Order Site)		Order@RiverRunCabinetry.com
2020 Kit File Order	Submitting 2020 KIT files/orders		2020Order@RiverRunCabinetry.com

CUSTOMER SERVICE

Matt Vandevander	Customer Service Manager	311	MVandevander@ClassicDistribution.us
Tasia Teele	Customer Service Rep	452	TTeele@RiverRunCabinetry.com
Felicia Hayes	Customer Service Rep	453	FHayes@ClassicDistribution.us
Susan Allman	Customer Service Rep	463	SAllman@RiverRunCabinetry.com

SHIPPING & PRODUCTION

Jim Miller	Shipping Dispatch	323	JMiller@ClassicDistribution.us
Tommy Miller	Production Manager	455	TMiller@ClassicDistribution.us

ACCOUNTING

Dwight Blakey	Accounts Receivable	430	DBlakey@ClassicDistribution.us
-------------------------	-------------------------------	---------------	--------------------------------

SALES & MARKETING

Jeff Diener	National Sales Manager	100	JDiener@RiverRunCabinetry.com
Carol Swinehart	Marketing Manager	433	CSwinehart@ClassicDistribution.us



GETTING STARTED

RiverRun Cabinetry

NEW ACCOUNT SET-UP

- Once your dealer application has been reviewed and approved, you will receive an email notification providing instructions for logging into our Online Order Site and registering for the Dealer site.
- **Please Note:** The Online Order site is different than the Dealer site with different logins and web addresses. (See below)

DEALER SITE - www.riverruncabinetry.com/dealer-login

- The Dealer site is where you will access the current 2020 Design catalog, updates for the sales binder, promotions, etc.
- Once your account has been approved and you receive a dealer account number by email, you can register for the Dealer Site. This is where you can access updates for the sales binder along with other useful sales aids, 2020 Design Catalog, promotions, etc. To register...
 - Visit <https://www.riverruncabinetry.com/dealer-login/>
Go to, "Are you a new RiverRun Dealer? Register for the RiverRun Dealer Website here."
 - Enter your Dealer Account Number (found in your welcome email) when registering. You can register multiple user names and passwords for your company as long as each person uses your designated Dealer Account Number and each one is associated with a different email address.
 - Once activated, use your user name and password to login:
<https://www.riverruncabinetry.com/dealer-login/>

ONLINE ORDER SITE - orders.riverruncabinetry.com

- The Online Order site is where you will create quotes and submit orders.
- Once your dealer application has been approved, you will receive a welcome email with your user name and password to log into the Online Order Site. See the ORDER PROCESS section of the binder for additional information about placing orders and using this site.

CUSTOMER SERVICE CONTACT INFO:

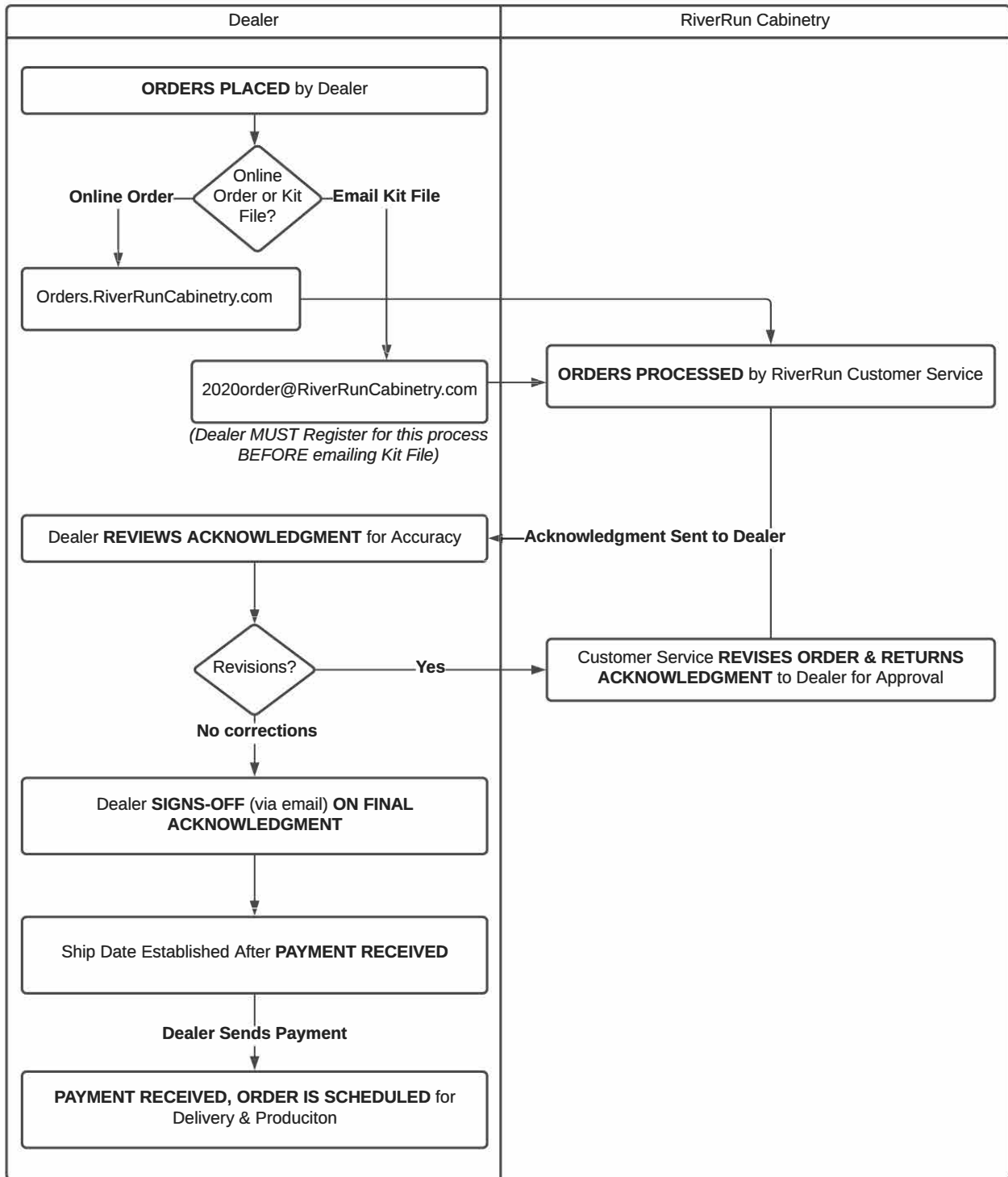
Phone: 540-438-5973

Email: CustomerService@RiverRunCabinetry.com

Order Email: Order@RiverRunCabinetry.com

(Use this email address to contact Customer Service regarding any RiverRun order.)

STEP-BY-STEP ORDER PROCESS





PLACING ORDERS

RiverRun Cabinetry

ONLINE ORDERING

- Visit: orders.riverruncabinetry.com
- This new Online Order Site was launched in early Sept. 2021, to work seamlessly with our new ERP system, 2020 Insight, and the 2020 Design software.
- First time users of the new site, **MUST** click “register here” before logging in. Old accounts from the previous site will not work. Your DEALER CODE is needed to complete the registration form. (The Dealer Code is the Username from the old Online Order site and was emailed to the dealer when the account was originally set up.) Contact Customer Service if you do not have your Dealer Code.
- A *Quick Start Reference Guide* (PDF), located on the Dealer site, is a helpful tool to guide you through the new Online Order site.

EMAILING 2020 DESIGN (KIT) FILES

- Dealers need to email Carol Swinehart at cswinehart@classicdistribution.us the following information on each person/designer that will be sending 2020 KIT files as RiverRun orders:
 - Name (First and Last)
 - Email address
 - Company Name
- RiverRun staff will set up these contacts to be able to place orders. Dealers will be notified when they are able to place their first order, via their 2020 KIT file.
- Designers must use the most recent RiverRun/2020 Design catalog available. See the Dealer site for the most recent catalog.
- Approved dealers should send 2020 KIT file orders to: 2020order@riverruncabinetry.com

DESIGN SOFTWARE OPTIONS

- 2020 Catalog is available on our Dealer site. Go to the 2020 Catalog link in the main menu for a link to the latest catalog.
- ProKitchen Catalog is available on the ProKitchen website at: <https://www.prokitchensoftware.com/prokitchen-online/conf/riverrun>.

EXPEDITE ORDERS

- Depending on current production demands, RiverRun may not be able to expedite orders during certain periods of the year. Contact Customer Service to see if your order can be expedited.
- There is a 30% upcharge for these orders.

CANCELLATION POLICY

- Canceled or modified orders (after approval) will have a 20% restocking fee if not yet shipped.
- Unpaid orders will be canceled after 45 days.
- Returns are not accepted.



SHIPPING PROGRAM

RiverRun Cabinetry

CYCLE SHIP PROGRAM

- This program offers our dealers better service with regular scheduled deliveries on our trucks, fewer shipping damages and reduced shipping costs with a landed multiplier. Contact your Sales Rep or Customer Service to see if you qualify for this program. (Certain restrictions apply.)
- The majority of our dealers use this program as long as they meet the following delivery parameters:
 - Dealers will need to be able to receive delivery from a 70' truck (cab + trailer)
 - Delivery address must be serviced by the customer to unload cabinets off the back of the trailer
 - For Job site delivery needs, please consult Customer Service for available options.
- Current Cycle Ship Programs include the following areas (subject to change):
 - Local - Harrisonburg area
 - VMD - VA, MD, DE
 - Northeast - eastern PA, NJ, NY, CT, RI, MA, VT, NH
 - Southeast - NC, SC, GA, FL,
 - Prairie - southern WV, KY, TN, IL, southern WI, IA, MO, NE, KS, eastern CO
 - Midwest - MI, OH, western PA
- \$250 additional charge for all deliveries to metro NYC (NY, NJ, LI)
- For orders under \$1,000 an additional \$100 cycle ship fee will be added to your freight costs by Customer Service after the order is placed. You can avoid this fee by either adding items to this order or placing another order for delivery at the same time.
- Freight Surcharges may be added to all orders (including pick-up) to cover inbound freight costs

CALCULATING FREIGHT COSTS FOR LTL SHIPMENTS (NON-CYCLE SHIP ORDERS)

- For dealers unable to use our Cycle Ship Programs, a freight grid will be created for you when your account is set up. Freight costs are based on the weight of your order and its destination.
- Customer Service will calculate orders that weigh less than 500 lbs or greater than 3000 lbs.

SHIPPING ADDRESS CHANGES

- Changes to a shipping address after order confirmation will result in possible shipping delays and administrative fees.

REGISTERING NEW SHIP TO LOCATIONS

- Contact Customer Service to set up new Ship To addresses. Please allow at least two business days for new addresses to be approved and set up in your account.
- If you are shipping to a new address that has not yet been approved, Customer Service will calculate the freight costs after you submit the order and will bill freight separately.
- Please notify Customer Service if ship to addresses require any of the following services. (LTL companies may charge higher fees on site, direct to you, if these are not noted prior to delivery.) RiverRun will invoice customers for any accessorial fees incurred at time of shipment. Unpaid fees will result in a block on the account. Customers should address disputed fees directly with LTL companies.
 - Notification of delivery beyond tracking number
 - Lift gate services (required if you do not have two people to unload cabinets off the back of the truck OR a truck height dock)
 - Residential/limited access area

CARRIERS

- Carriers are selected based on the most economical rates. If you wish to choose another carrier, please contact Customer Service.
- Orders will be shipped palletized for LTL shipments only. Be sure to have proper equipment for receiving. This option is not currently available for our Cycle Ship Programs.
- Small items may be shipped via small package carrier. A damage disclaimer may need to be signed. Please check with Customer Service. Single assembled cabinets cannot be shipped via a small package carrier.

PICK UPS

- Pick up orders are available and must be picked up with 24 hours of the availability date.
- Orders not picked up within the 24 hour time frame are subject to storage and handling fees of \$20 per pallet per day.

MISSED DELIVERIES

- Refused orders or missed deliveries will be charged a minimum of \$250 re-delivery fee.

MISSING ITEM(S) FROM DELIVERY/SHIPMENT

- In the event that you have a missing item(s) from a delivery, please notify Customer Service of the missing item(s) using the Replacement form found in the back of this Sales Binder or located on the Dealer website. Email the completed Replacement form to [damages@riverruncabinetry.com](mailto:damage@riverruncabinetry.com)
- Missing item(s) must be reported within 15 days of delivery.



DAMAGES & WARRANTIES

River Run Cabinetry

DAMAGE PROGRAM

- In the event that you have a damaged or warranty item, we will take the most expeditious measures to replace the damaged parts.
- Your prompt response to the damage order confirmation request will keep the order moving as quickly as possible. All damages/warranties require approval of order acknowledgement. Orders will not be processed without written approval confirmation.
- Shipping damage must be reported within 15 days.

FOR DAMAGED REPLACEMENTS

- Please check the cabinet/parts before installation as we will not replace the case after it has been installed.

Process to replace a damaged cabinet/part:

- 1) Email a completed Damage/Warranty Replacement Form to damages@riverruncabinetry.com and photo(s) of damage. This information is critical for reimbursement, processing, and development of future preventative measures. (The form can be found in the "forms" section of this binder and electronically on the Dealer Site.)
- 2) Do not use, destroy or discard the damaged item as it is the property of the freight carrier. It is required that the item be available for the shipping company to retrieve. They will contact you to arrange for pickup. If the carrier is unable to reclaim the part, you will be charged for the replacement.

WARRANTY REPLACEMENT PROGRAM

- In the event that you have a warranty item, we will take the most expeditious measures to replace the warranty parts.
- Your prompt response to the warranty order confirmation request will keep the order moving as quickly as possible.

FOR WARRANTY REPLACEMENTS

- Please check the cabinet/parts before installation as we will not replace the cabinet/part after it has been installed.

Process to replace a warranty cabinet/part:

- 1) Please review our warranty.
- 2) Email a completed Damage/Warranty Replacement Form to damages@riverruncabinetry.com. This information is critical for determining warranty qualification and development of future preventative measures. (The form can be found in the following pages and electronically on the Dealer Site.)
- 3) Replacement forms must include a picture in order for a replacement to be sent at no charge.

Ten Year Limited Warranty

All of our cabinets are warranted to the original purchaser for ten years after the purchase date. We guarantee the original purchaser that all parts and components are free from defects in material and workmanship under normal use. (Defects are defined as any imperfection that may prohibit the proper use of the cabinets.) This warranty applies to the original cabinet purchaser only and is non-transferable.

As with other natural materials, wood is affected by environmental factors such as natural and artificial lighting. Darkening or mellowing of the wood can be expected and is a natural process of wood as it ages. Each wood specie also exhibits its own distinctive patterns and characteristics which add to its natural beauty. These variations in color and characteristics are not considered imperfections or defects. This warranty does not cover the natural aging and darkening of wood color nor does it apply to the inherent growth characteristics of wood. Color variations and color softening in cabinets are a natural occurrence due to species, age, character of cabinets, and exposure to UV light and sunlight. These changes are not valid reasons for replacements under warranty claims.

Extreme temperatures and humidity levels in homes may cause the shrinking and swelling (this change is usually more in width than height), or warping of materials, which are out of the control of RiverRun Cabinetry and are not covered under warranty. Do not install in new constructions until humidity and temperatures are controlled. Cabinet doors that warped must be allowed to hang through one seasonal heating cycle before replacement will be considered under this limited warranty.

- A twist or warp up to ¼" shall not be considered a defect for warranty replacement. Door sizes have a tolerance of (+ or -) ⅓₂".

Product used for commercial purposes is excluded. Not covered under this warranty are cabinets showing normal wear and tear; cabinets that were improperly stored or installed, improperly assembled or disassembled, intentionally damaged, misused, or exposed to the elements; cabinets that have defects due to excessive moisture, accidents or negligence; and cabinets that have been changed or modified in any way.

RiverRun Cabinetry does not warrant the installation of "stand alone" or independent cabinets in widths greater than thirty-six inches and depths greater than twelve inches. All cabinets regardless of design dimension or shape must be affixed to "studs," permanently fastened to interior wall, floor or ceiling joists attached to permanent structures (i.e. interior partition wall or floor). IMPORTANT: Structural modification of a wall cabinet can significantly weaken the cabinet. For this reason modification are not recommended, if a modification is required, the warranty of the cabinet is void and it is the responsibility of the installer to take appropriate steps to compensate for any loss of strength or support due to the modification.

This warranty is expressly limited to the replacement of the defective component parts at our discretion. Our liability is expressly limited to the cost of the material for the replacement of defective goods. We may elect to replace the product with a product of equal value and complementary style if the original style is no longer available. Due to the aging process of natural wood, RiverRun Cabinetry cannot guarantee an exact match between the finish of the existing product and its replacement.

In no event are we liable for incidental, indirect, or consequential damages resulting from the use of our cabinets. This warranty does not cover the cost of installation, removal, subsequent damage or transportation of the defective product regardless of whether the work was performed by a contractor, service company, or consumer.

Some states do not allow limitations on how long an implied warranty may last or the exclusion and/or limitations of incidental and/or consequential damages. Therefore the above limitations may not apply. This warranty allows specific rights that may vary from state to state. Any claims made under this warranty must be presented in writing with a Replacement Form and accompanied by photographs of defective material.



CABINET SPECS & FINISHES

RiverRun Cabinetry

GENERAL PRODUCT NOTES

DOOR STYLES, COLORS AND PRICE GROUPS:

PRICE GROUP 1	PRICE GROUP 2	PRICE GROUP 3	PRICE GROUP 4	PRICE GROUP 5	PRICE GROUP 6	PRICE GROUP 7
		Parkview (slab)	Cambridge (5pc)	Hampton (5pc)	Jefferson (slab)	
			Dalton (5pc)	Lenox (<i>retiring, limited SKUs</i>)		

PRICE GROUPS FOR ACCESSORIES:

PRICE GROUP 1	PRICE GROUP 2
Stains	Paints

PRODUCT SPECIFICATIONS / NOTES

- RiverRun Cabinetry provides a broad selection of cabinet sizes and accessories.

DOOR CLEARANCE

- As with all full overlay door styles, clearance of doors and drawers must be taken into consideration during the design process to assure proper operation of all doors, drawers and roll out trays.

SINGLE DOOR CABINET HINGING

- Using the Online Order System, please select hinge left or hinge right on single door cabinets.

CABINET SIZES

- All wall cabinets are 12" deep unless otherwise specified.
- All base cabinets are 34½" tall and 24" deep.
- All vanity cabinets are 34½" tall and 21" deep.

TOE KICK MATERIAL

- All cabinets with a toe notch require ¼" x 4½" high, toe kick material. This needs to be ordered in addition to the cabinetry.

In keeping with a policy of continuous refinement, RiverRun Cabinetry reserves the right to alter specifications without general notice or obligation to make similar changes in previously produced product.

STANDARD PRODUCT MATERIALS

CASE

- Standard face frames are traditional construction and are ¾" thick with 1½" stiles and rails made of solid wood.
- End panels are ½" thick plywood. Interiors include a clear coat finish and exteriors have a natural finish, both with option to add a finished skin.
- Shelves are ¾" thick balanced veneer core plywood, sealed with a clear-coat and are adjustable and front edge banded.
- Backs are ½" thick plywood to allow multiple locations for installation. Base cabinet backs extend to the floor providing optimal structural stability.
- Toe kick is recessed 4" and is 4½" high.

DRAWERS AND GLIDES

- EuroBoxes come standard with ⅝" thick hardwood plywood with drill and dowel construction. Optional upgraded dovetail drawer boxes are also available. Both drawer box options are UV clear-coated on all sides.
- Bottoms are fully captured plywood on the EuroBox and the upgraded dovetail box.
- Glides are under mounted full-extension and soft close on both drawer options.

HINGES

- Integrated soft-close hinges are standard for all door styles.

REVEALS

- Wall cabinet doors have a ¼" reveal on bottom and sides. The top reveal is 1" for moulding installation.
- Base cabinet doors have a ¼" reveal on bottom and sides. The top drawer head has a ¼" reveal at the bottom and sides.
- All base cabinets have a 1" reveal on top.

FINISH

- Catalyzed conversion varnish top coat with UV protection is applied to doors, drawers and face frames.

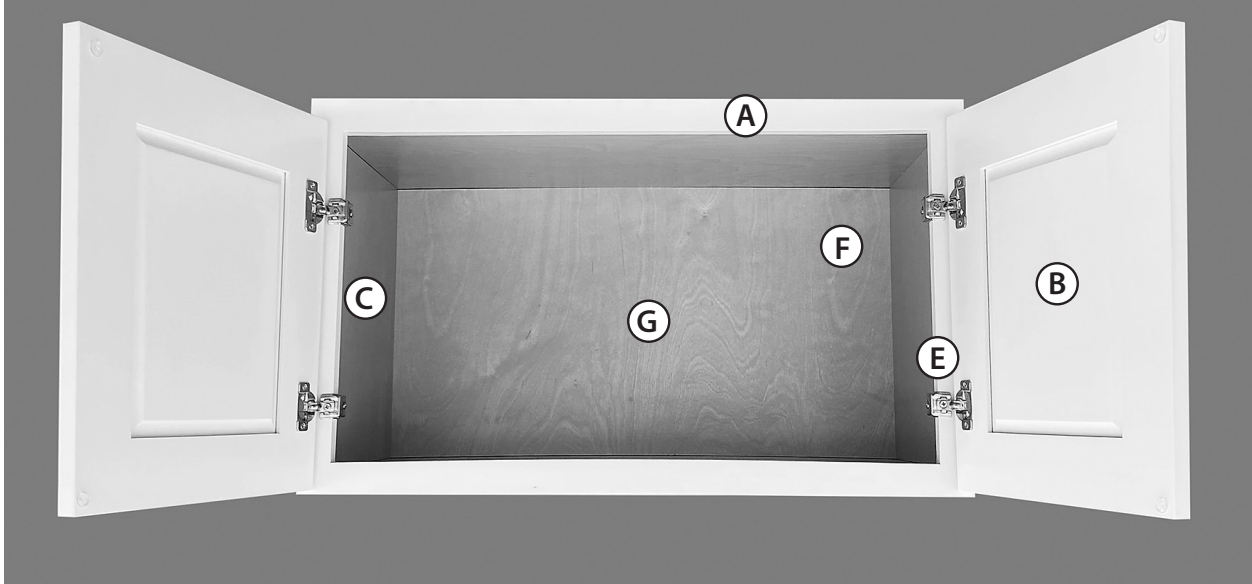
SPECIES/MATERIAL

- Natural Hardwood
- MDF for painted doors, except where noted



WALL CONSTRUCTION

River Run Cabinetry



(A) FACE FRAMES

Constructed from $\frac{3}{4}$ " hardwood. Base and wall frames have $1\frac{1}{2}$ " stiles and rails.

Wall cabinets have a 1" reveal at the top for moulding installation. Bottom and sides have $\frac{1}{4}$ " reveal.

(B) DOORS

Premium full overlay door styles with soft-close door hinges. Stained doors are solid hardwood and painted doors are MDF. (See door specification pages: SF6-8 for details.)

(C) PANELS

Constructed from $\frac{1}{2}$ " plywood with option for finished skins. Ends, tops and bottoms are captured in frame grooves. Backs are captured in end panel grooves.

(D) SHELVES (not shown)

Constructed from $\frac{3}{4}$ " plywood and finished on both sides. Wall shelves are adjustable at $2\frac{1}{2}$ " increments. All secured for shipment with locking shelf clips utilizing $\frac{1}{4}$ " diameter dowel.

(E) HINGES

6-way fully concealed 108° self-closing cup hinges that allow easy height, width, and depth adjustment. Soft-close hinges are standard.

(F) CABINET INTERIOR

Sealed with clear-coat finish. Finished Interior* option may be selected on wall, base and tall cabinets up to 24" deep.

(G) BACKS

For ease of installation, backs are solid $\frac{1}{2}$ " plywood.

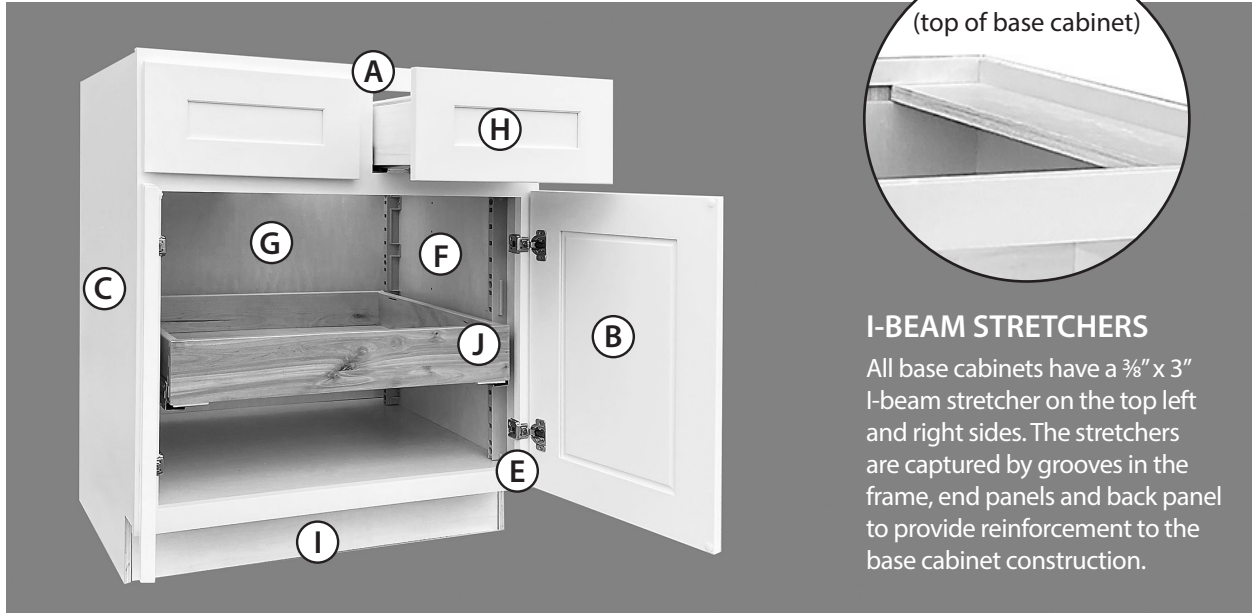
(H*) FINISHED INTERIORS (FI) - optional (not shown)

Cabinet interiors will be finished to match exterior. Shelves in cabinets with Finished Interior option will also be finished to match exterior.



BASE CONSTRUCTION

RiverRun Cabinetry



I-BEAM STRETCHERS

All base cabinets have a $\frac{3}{8}$ " x 3" I-beam stretcher on the top left and right sides. The stretchers are captured by grooves in the frame, end panels and back panel to provide reinforcement to the base cabinet construction.

(A) FACE FRAMES

Constructed from $\frac{3}{4}$ " hardwoods. Base and wall frames have $1\frac{1}{2}$ " stiles and rails. Base cabinets have a 1" reveal at the top. Bottom and sides have $\frac{1}{4}$ " reveal.

(B) DOORS

Premium full overlay door styles with soft-close door hinges. Stained doors are solid hardwood and painted doors are MDF. (See door specification pages: SF6-8 for details.)

(C) PANELS

Constructed from $\frac{1}{2}$ " plywood with option for finished skins. Ends, tops and bottoms are captured in frame grooves. Backs are captured in end panel grooves.

(D) HINGES

6-way fully concealed 108° self-closing cup hinges that allow easy height, width, and depth adjustment are standard.

(E) CABINET INTERIOR

Sealed with clear-coat finish. Finished Interior* option may be selected on wall, base and tall cabinets up to 24" deep.

(G) BACKS

Backs are solid $\frac{1}{2}$ " plywood. Base cabinet backs extend to the floor providing optional structural stability.

(H) DRAWERS

EuroBoxes are $\frac{5}{8}$ " thick hardwood plywood with dowel construction. Option to upgrade to dovetail construction. Both options are clear coated and bottoms are fully captured plywood. Glides are under mount, full extension soft-close.

(I) TOE KICKS

Constructed from $\frac{1}{2}$ " unfinished plywood. They are inset into the cabinet box $3\frac{1}{2}$ " and are $4\frac{1}{2}$ " high. Toe Kick Material (TKS) required to finish the toe kick space.

(J) Roll Out Tray & Pilaster Kit (optional)

EuroBox (standard) or dovetail upgrade option for roll out tray box with undermount glides. Pilasters are installed at each corner of base cabinet (pantries get 2 sets of pilaster kits) with slots for approximate 1" height adjustments.



DOOR STYLES & FINISHES

RiverRun Cabinetry

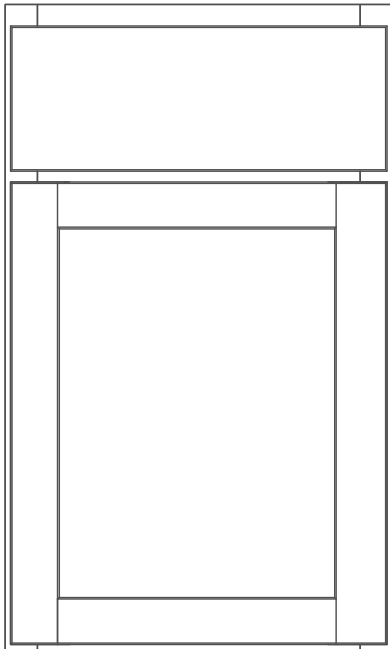
FINISH AVAILABILITY MATRIX

		PARKVIEW	JEFFERSON	CAMBRIDGE	DALTON	HAMPTON (without glaze)	LENOX (with glaze) Limited SKUs
STAINS	Natural				X		
	Smoke	X	X		X		
	Cocoa	X	X		X		
	Chestnut						X
	RiverRock	X	X				

PAINTS	White		X	X		X	
	Linen			X		X	
	Mint			X		X	
	Pewter			X		X	
	Sage			X		X	
	Blue Lagoon		X	X		X	
	Onyx		X	X		X	



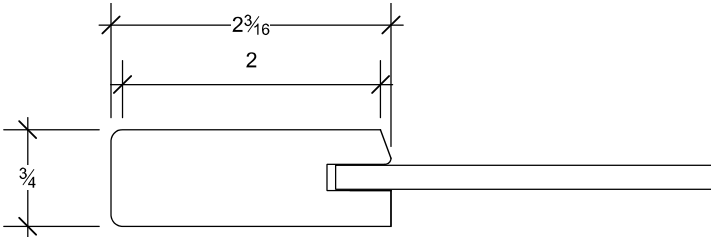
PARKVIEW



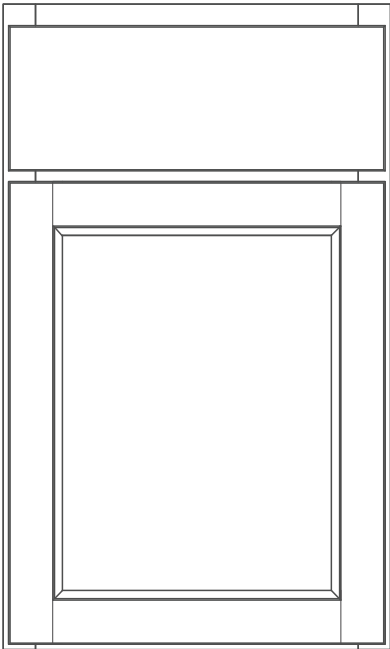
Species: Maple

Construction & Specifications:

- drawer fronts are slab
- available in Cocoa, RiverRock and Smoke
- full overlay door
- 2 3/16" stiles and rails



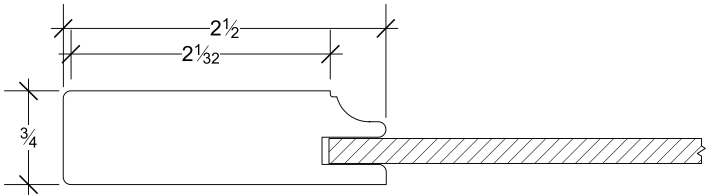
JEFFERSON



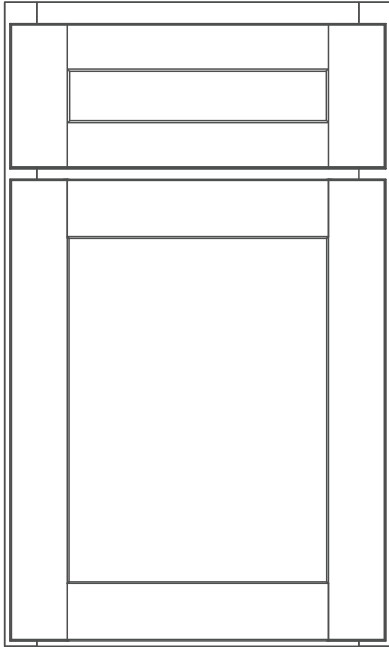
Species: Red Oak

Construction & Specifications:

- drawer fronts are slab
- available stains: Cocoa, RiverRock and Smoke
- available paints: Blue Lagoon, Onyx and White
- full overlay door
- 2 1/2" stiles and rails
- center panel is 1/4" flat panel veneer



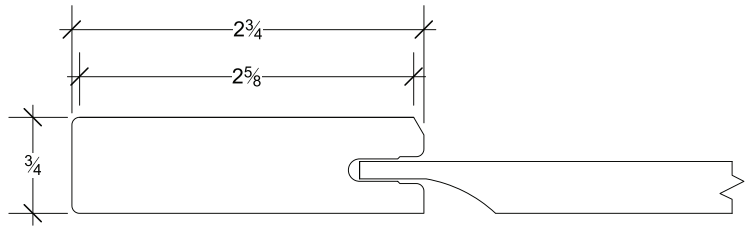
CAMBRIDGE



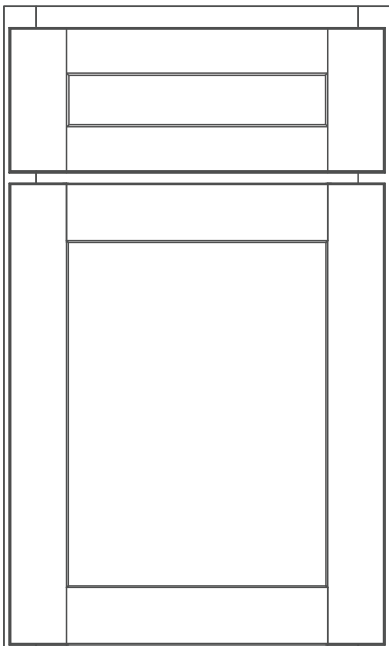
Species: Premium MDF

Construction & Specifications:

- drawer fronts are 5-piece
- available in all paint colors
- full overlay door
- 2 $\frac{3}{4}$ " stiles and rails
- center panel is a solid reversed raised panel



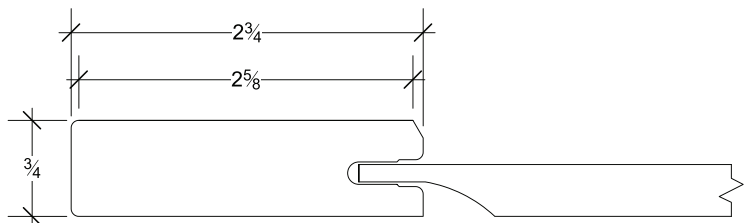
DALTON



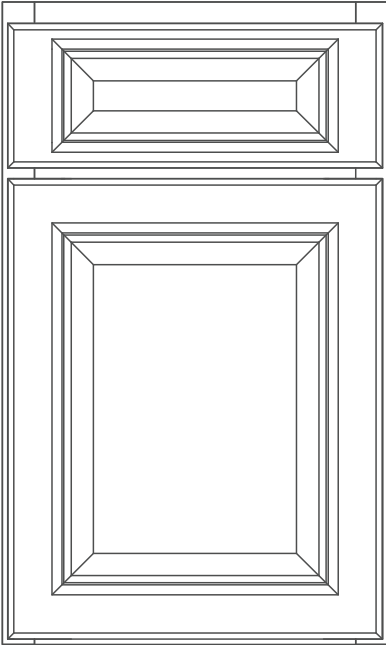
Species: Birch

Construction & Specifications:

- drawer fronts are 5-piece
- available in Natural, Cocoa and Smoke
- full overlay door
- 2 $\frac{3}{4}$ " stiles and rails
- center panel is a solid reversed raised panel



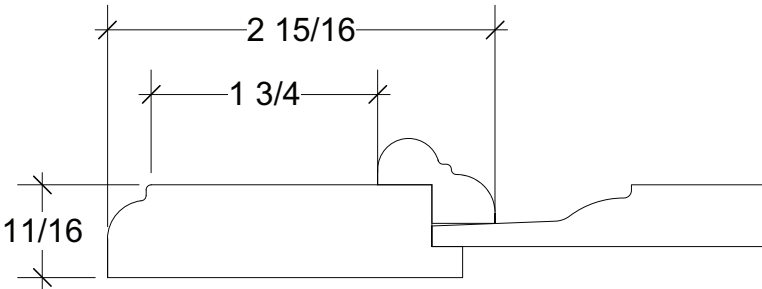
HAMPTON



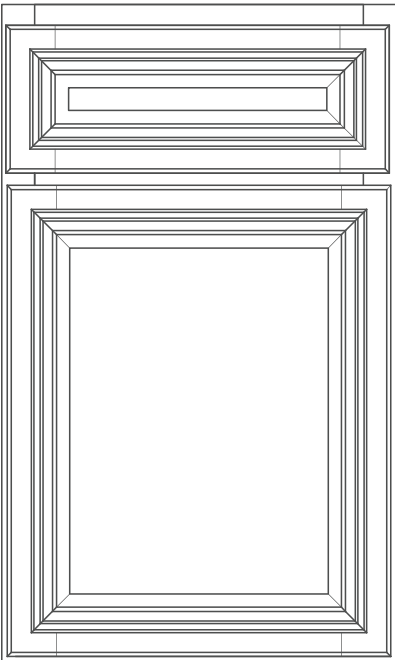
Species: Premium MDF

Construction & Specifications:

- drawer fronts are 5-piece
- available in all paint colors
- full overlay door
- 2¹⁵/₁₆" stiles and rails
- raised center panel



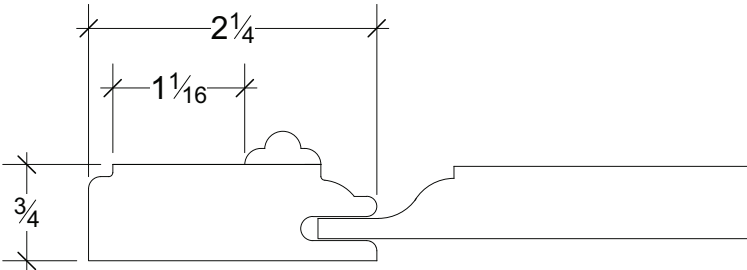
LENOX GLAZED *(retiring, limited SKUs)*



Species: Premium Hardwood

Construction & Specifications:

- drawer fronts are 5-piece
- available in Chestnut stain color
- full overlay door
- 2¹/₄" stiles and rails
- raised center panel





DOOR SIZE CHART			
ITEM NO.	CABINET	DOOR WIDTH	DOOR HEIGHT
DR-ER33	ER33	7.8750	28.7500
DR-W0930	W930, B9	8.5000	28.7500
DR-W0936	W936	8.5000	34.7500
DR-W0942	W942	8.5000	40.7500
DR-ERCW2415	ERCW2415	10.805	13.7500
DR-ER36	ER36, ERCW2430	10.805	28.7500
DR-ERCW2436	ERCW2436	10.805	34.7500
DR-ERCW2442	ERCW2442	10.805	40.7500
DR-W1215	W1215	11.5000	13.7500
DR-B12	B12, VB12	11.5000	21.5000
DR-W1230	W1230, BB36, BW2430, WEP1230	11.5000	28.7500
DR-W1236	W1236, BW2436, WEP1236	11.5000	34.7500
DR-W1242	W1242, BW2442, WEP1242	11.5000	40.7500
DR-2415-2	W2415	11.6875	13.7500
DR-AG2418	AG2418-BD	11.6875	16.7500
DR-B24-2	B24-2, V24-2	11.6875	21.5000
DR-W2430-2	W2430-2, P2484	11.6875	28.7500
DR-W2436-2	W2436-2, P2490	11.6875	34.7500
DR-W2442-2	W2442-2, P2496	11.6875	40.7500
DR-P2484	P2484, P2490, P2496 (pantry bottom door)	11.6875	49.0000
DR-2715	W2715	13.1875	13.7500
DR-B27	B27, V27	13.1875	21.5000
DR-W2730	W2730	13.1875	28.7500
DR-W2736	W2736	13.1875	34.7500
DR-W2742	W2742	13.1875	40.7500
DR-TAB12FHDL	TAB12FHDL, TAB12FHDR	14.0000	28.7500
DR-W1515	W1515, CW2415	14.5000	13.7500
DR-ADAG2418	ADAG2418	14.5000	17.5000
DR-B15	B15, BB42, DSB36, VB15, VSB60, VSDL30, VS DR30	14.5000	21.5000
DR-W1530	W1530, CW2430	14.5000	28.7500
DR-W1536	W1536, CW2436, CW2736	14.5000	34.7500
DR-W1542	W1542, CW2442, CW2742	14.5000	40.7500
DR-W3012	W3012	14.6875	10.7500
DR-WMW3033	WMW303318	14.6875	12.2500
DR-W3015	W3015	14.6875	13.7500
DR-W3018	W3018, SBFH30	14.6875	16.7500
DR-W3021	W3021	14.6875	19.7500

(continued on next page)

(continued from previous page)

DOOR SIZE CHART			
ITEM NO.	CABINET	WIDTH	HEIGHT
DR-B30	B30, SB30, V30, VSB60	14.6875	21.5000
DR-W3024	W3024	14.6875	22.7500
DR-WMW3045	WMW304518	14.6875	24.2500
DR-W3027	W3027	14.6875	25.7500
DR-W3030	W3030, BW4230	14.6875	28.7500
DR-W3036	W3036	14.6875	34.7500
DR-W3042	W3042	14.6875	40.7500
DR-W3315	W3315	16.1875	13.7500
DR-OC3384D	OC3384D, SBFH33	16.1875	16.7500
DR-B33	B33, SB33, V33	16.1875	21.5000
DR-OC3390D	OC3390D	16.1875	22.7500
DR-W3330	W3330, OC3396D	16.1875	28.7500
DR-W3336	W3336	16.1875	34.7500
DR-W3342	W3342	16.1875	40.7500
DR-W1815	W1815	17.5000	13.7500
DR-B18	B18, VB18, VSDL36, VSDR36	17.5000	21.5000
DR-W1830	W1830, BW3030, P1884	17.5000	28.7500
DR-W1836	W1836, BW3036, P1890	17.5000	34.7500
DR-W1842	W1842, BW3042, P1896	17.5000	40.7500
DR-P1884	P1884, P1890, P1896	17.5000	49.0000
DR-W3612	W3612, W361224	17.6875	10.7500
DR-W3615	W3615	17.6875	13.7500
DR-W3618	W3618, W361824, SBFH36	17.6875	16.7500
DR-B36	B36, SB36, V36, VSB36	17.6875	21.5000
DR-W3624	W3624, W362424	17.6875	22.7500
DR-W3630	W3630	17.6875	28.7500
DR-W3636	W3636	17.6875	34.7500
DR-W3642	W3642	17.6875	40.7500
DR-W3912	W3912	19.1875	10.7500
DR-W3915	W3915	19.1875	13.75
DR-B39	B39	19.1875	21.5000
DR-W3930	W3930	19.1875	28.7500
DR-W3936	W3936	19.1875	34.7500
DRW2115	W2115, W4215	20.5000	13.7500
DR-B21	B21, BB48	20.5000	21.5000
DR-W2130	W2130	20.5000	28.7500
DR-W2136	W2136	20.5000	34.7500
DR-W2142	W2142	20.5000	40.7500

(continued on next page)

(continued from previous page)

DOOR SIZE CHART			
ITEM NO.	CABINET	WIDTH	HEIGHT
DR-B42	B42, SB42, V42, VSB42	20.6875	21.5000
DR-DSB42	DSB42, CSF42	23.0000	21.5000
DR-VSB48	VSB48, VDB60	23.5000	21.5000
DR-BW3630	BW3630, WEP2430-1	23.5000	28.7500
DR-BW3636	BW3636	23.5000	34.7500
DR-BW3642	BW3642	23.5000	40.7500
DR-W4230	W42 30	20.688	28.7500
DR-W4236	W4236	20.688	34.7500



DRAWER FRONT SIZE CHART			
ITEM NO.	CABINET	WIDTH	HEIGHT
DF-KD30	KD30	23.5000	4.2500
DF-KD36	KD36	29.5000	4.2500
DF-VSB36	VSB36-left/right	10.0000	6.7500
DF-B12	B12, DB12-upper, VB12, VDB12-upper, VDB60-center, VSB42-left/right, VSB48-left/right	11.5000	6.7500
DF-B15	B15, BB42, DB15-upper, DSB36, VB15, VDB15-upper, VSDL30-upper, VSDR30-upper, VSB60-upper	14.5000	6.7500
DF-B30	B30, SB30, V30	14.6875	6.7500
DF-VSB36-center	VSB36-center	15.1250	6.7500
DF-B33	B33, SB33, V33	16.1875	6.7500
DF-B18	B18, DB18-upper, DDB18-upper, VB18-upper, VDB18-upper, VSB42-center, VSDL36-upper, VSDR36-upper	17.5000	6.7500
DF-B36	B36, SB36, V36	17.6875	6.7500
DF-B39	B39	19.1875	6.7500
DF-B21	B21, BB48, DB21-upper, VDB21-upper	20.5000	6.7500
DF-B42	B42, SB42, V42	20.6875	6.7500
DF-DSB42	DSB42, CSF42	23.0000	6.7500
DF-B24	B24-2, DB24-upper, V24-2, VDB24-upper, VDB60-left/right, VSB48-center	23.5000	6.7500
DF-B27	B27, V27	26.5000	6.7500
DF-B30-1	DB30-upper, VSB60-center	29.5000	6.7500
DF-OC3384	OC3384D, OC3390D, OC3396D	32.5000	6.7500
DF-B36-1	DB36-upper	35.5000	6.7500
DF-VDB60	VDB60-bottom	11.5000	7.0000
DF-DB12	DB12-bottom, VDB12-bottom	11.5000	10.5000
DF-DB15	DB15-bottom, VDB15-bottom, VSDR30-bottom, VSDL30-bottom	14.5000	10.5000
DF-DB18	DB18-bottom, VDB18-bottom, VSDR36-bottom, VSDL36-bottom	17.5000	10.5000
DF-DB21	DB21-bottom, VDB21-bottom	20.5000	10.5000
DF-DB24	DB24-bottom, VDB24-bottom	23.5000	10.5000
DF-DB30	DB30-bottom	29.5000	10.5000
DF-DB36	DB36-bottom	35.5000	10.5000
DF-BM30	BM30	29.5000	11.0000
DF-DDB18	DDB18-bottom	17.5000	16.5000

Doors and drawer fronts are available for purchase. (list prices)

Doors - \$110 per sq. ft

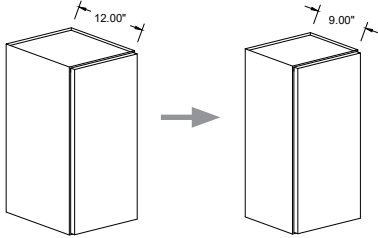
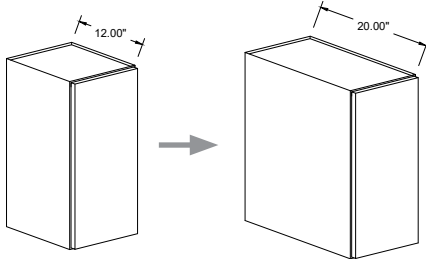
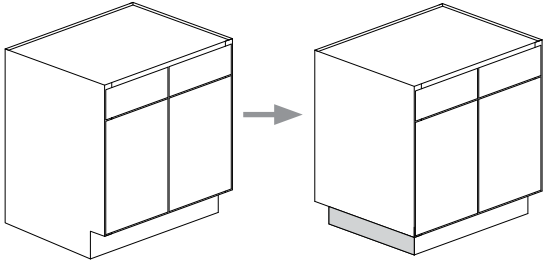
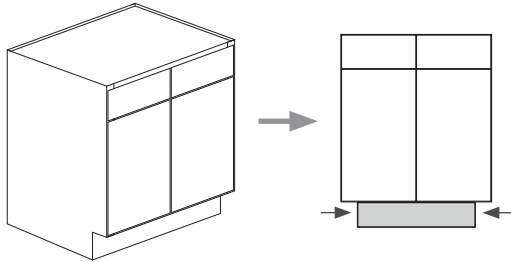
Drawer Fronts - \$130 per sq. ft

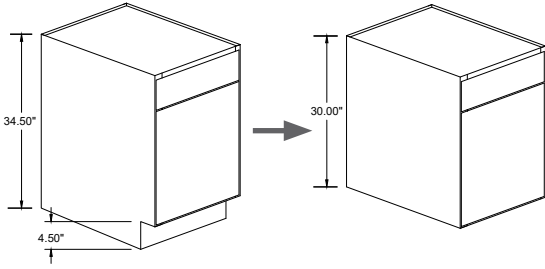
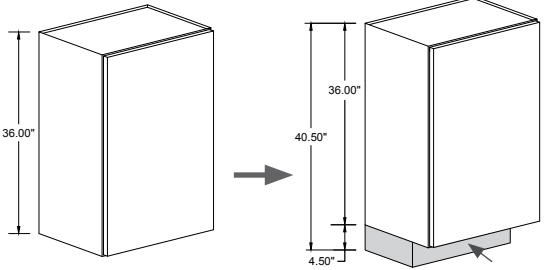
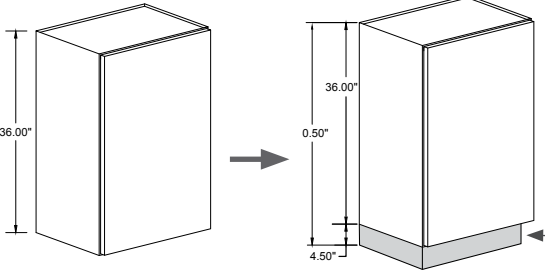
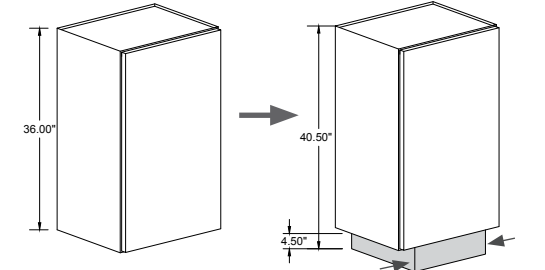
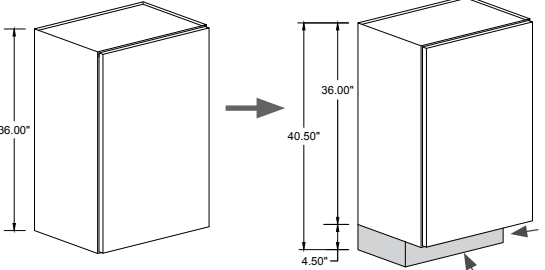


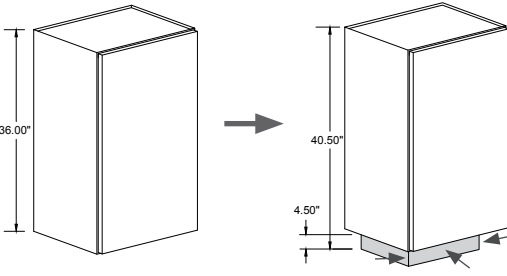
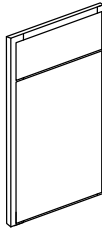
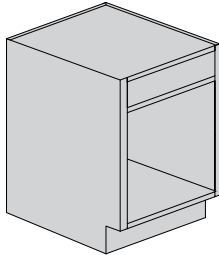
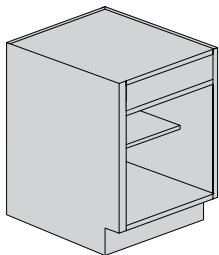
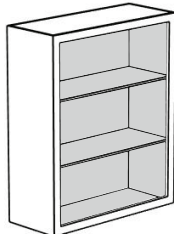
CUSTOM MODIFICATIONS

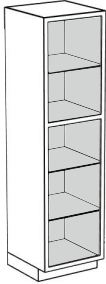
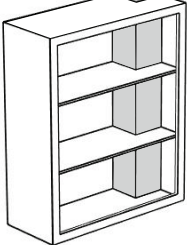
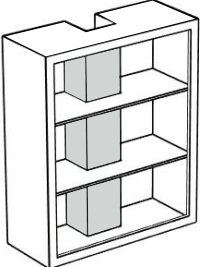
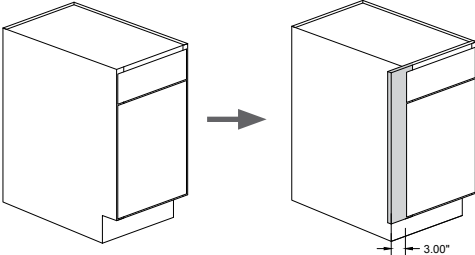
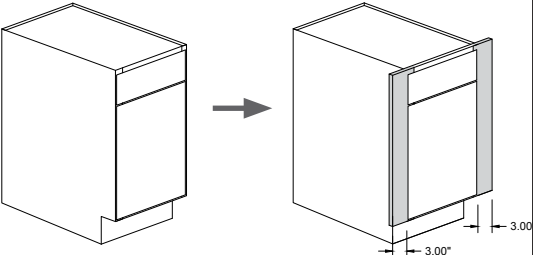
River Run Cabinetry

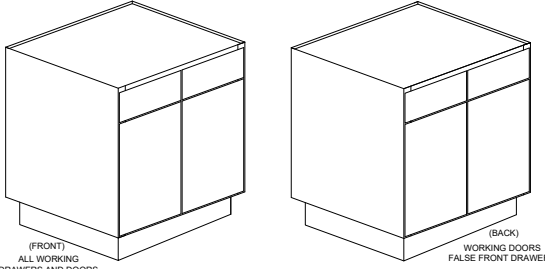
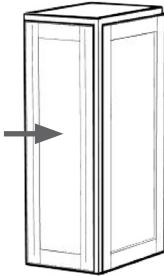
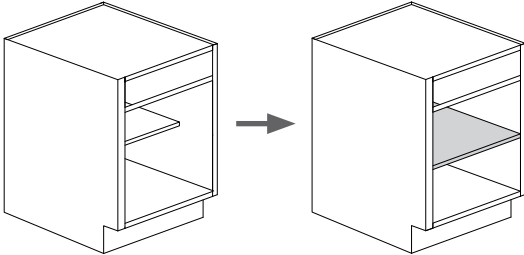
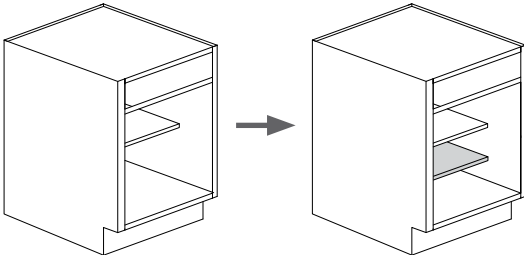
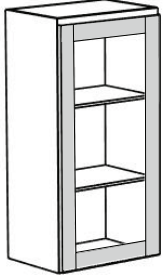
Note: Modifications extend lead times except where noted in description.

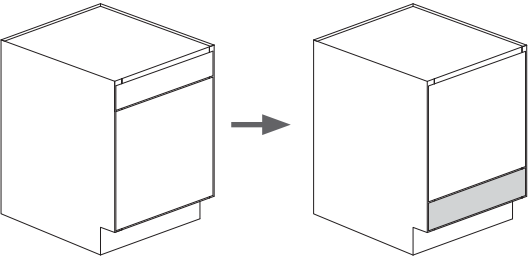
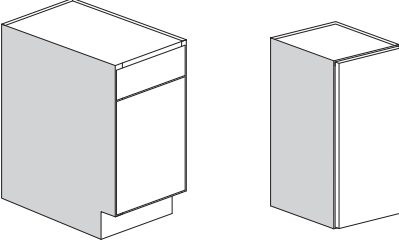
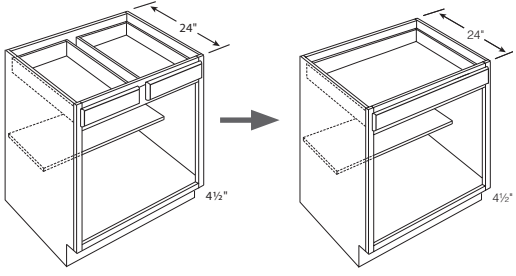
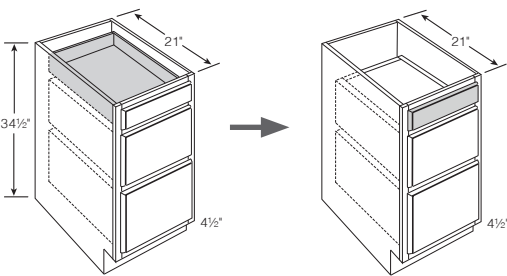
MOD. CODES & DESCRIPTIONS	EXAMPLE	LIST PRICES
<p>RD</p> <p>Reduce Depth of cabinet (1" increments)</p> <p>base - 12" minimum depth wall - 4" minimum depth</p> <p>Reduce Depth of roll out tray</p>	 <p>pictured: W1230 reduced depth to 9"</p>	<p>cab + 300 (walls)</p> <p>cab + 500 (talls & bases)</p> <p>ROT+167</p>
<p>ID</p> <p>Increase Depth of wall and vanity cabinet (1" increments)</p> <p>walls - 24" depth maximum bookcase - 18" depth maximum bases - not available</p>	 <p>pictured: W1230 increased depth to 20"</p>	<p>cab + 657</p> <p>1.5 x bookcase</p>
<p>BTKR or L or B</p> <p>Recess Toe Kick on Right or Left or Back of base, pantry, or vanity cabinet</p> <p>available in B15 and larger base cabinets</p>	 <p>pictured: V27 recess toe kick added to left</p>	<p>cab + 283</p>
<p>BTKRL</p> <p>Recess Toe Kick on Right and Left of base, pantry, or vanity cabinet</p> <p>available in B18 and larger base cabinets</p>	 <p>pictured: V27 recess toe kick added to right and left</p>	<p>cab + 417</p>

MOD. CODES & DESCRIPTIONS	EXAMPLE	LIST PRICES
<p>BTKN Toe Kick Removed from base, pantry, or vanity cabinet (height less 4½")</p>	 <p>pictured: B18 toe kick removed</p>	<p>cab + 450</p>
<p>WTKF Add Toe Kick to Wall Cabinet with Toe Kick Space at Front only (height plus 4½")</p>	 <p>pictured: W1836 toe kick added with space at front only</p>	<p>cab + 417</p>
<p>WTKR or L Add Toe Kick to Wall Cabinet with Toe Kick Space to Right or Left (height plus 4½")</p>	 <p>pictured: W1836 toe kick added with space at right</p>	<p>cab + 417</p>
<p>WTKRL Add Toe Kick to Wall Cabinet with Toe Kick Space to Right and Left (height plus 4½")</p>	 <p>pictured: W1836 toe kick added with space at right and left</p>	<p>cab + 483</p>
<p>WTKFR or L Add Toe Kick to Wall Cabinet with Toe Kick Space to Front and Right or Left (height plus 4½")</p>	 <p>pictured: W1836 toe kick added with space at front and right</p>	<p>cab + 483</p>

MOD. CODES & DESCRIPTIONS	EXAMPLE	LIST PRICES
<p>WTKFRL</p> <p>Add Toe Kick to Wall Cabinet with Toe Kick Space to Front, Right, and Left (height plus 4½")</p>	 <p>pictured: W1836 toe kick added with space at front, right and left (WTKFRL)</p>	<p>cab + 550</p>
<p>TP</p> <p>Tri-Pack - face frame, drawer front(s), and door(s) only</p> <p><i>Does not extend lead time.</i></p>		<p>75% x cab. *</p>
<p>BO</p> <p>Box Only - Does not include drawer box, hardware, doors, drawer fronts or shelves.</p> <p><i>Does not extend lead time.</i></p>	 <p>pictured: B24-2 case only</p>	<p>60% x cab. *</p>
<p>NO FRONTS</p> <p>Includes hardware, shelves, and drawer box. Does not include doors or drawer fronts.</p> <p><i>Does not extend lead time.</i></p>	 <p>pictured: B24-2 no front</p>	<p>85% x cab. *</p>
<p>FI</p> <p>Cabinet with Finished Interior</p>	 <p>pictured: W3030 - finished interior</p>	<p>cab + 420</p>

MOD. CODES & DESCRIPTIONS	EXAMPLE	LIST PRICES
<p align="center">FIT</p> <p align="center">Cabinet with Finished Interior (Talls)</p>	 <p align="center">pictured: P2490 finished interior (tall)</p>	<p align="center">cab + 533</p>
<p align="center">PCR or L</p> <p align="center">Pipe Chase Cut-Out on Right or Left Corner (width x depth, location)</p>	 <p align="center">pictured: W3030 pipe chase cut-out on right (back)</p>	<p align="center">cab + 983</p>
<p align="center">PCM</p> <p align="center">Pipe Chase Cut-Out in Middle (width x depth, location)</p>	 <p align="center">pictured: W3030 pipe chase cut-out in middle (back)</p>	<p align="center">cab + 1,250</p>
<p align="center">ESR or L</p> <p align="center">Install Extended Stile on Right or Left side of cabinet (This modification adds 3" on either side)</p> <p align="center"><i>Field Trimmable</i></p>	 <p align="center">pictured: B15 extended stile on left 3" (making it 18" wide)</p>	<p align="center">cab + 417</p>
<p align="center">ESRL</p> <p align="center">Install Extended Stile on Right and Left sides of cabinet (This modification adds 3" to both sides.)</p> <p align="center"><i>Field Trimmable</i></p>	 <p align="center">pictured: B15 extended stile on right and left 3" on both sides</p>	<p align="center">cab + 834</p>

MOD. CODES & DESCRIPTIONS	EXAMPLE	LIST PRICES
<p>PN Peninsula Cabinet</p>	 <p>pictured: B27 peninsula cabinet</p>	<p>1.5 x cab. *</p>
<p>WEP Factory Installed Wall End Panels <i>For loose WEPs - see Wall Section</i></p> <p>BEP Factory Installed Base End Panels <i>For loose BEP - see Base Section</i></p>	 <p>pictured: W1230 Wall End Panel (WEP)</p>	<p>cab + WEP + \$90</p> <p>cab + BEP + \$90</p>
<p>FDS Install Full Depth Shelf in a base cabinet</p> <p><i>Does not extend lead time.</i></p>	 <p>pictured: B24-2 installed full depth shelf</p>	<p>cab + 100</p>
<p>2SH Install Second Shelf in a base cabinet</p> <p><i>Does not extend lead time.</i></p>	 <p>pictured: B24-2 installed second shelf</p>	<p>cab + 100</p>
<p>PG Prep for Glass - remove center panel in one door</p> <p>or PG2 (2 doors)</p>	 <p>pictured: W1230 Prep for Glass</p>	<p>cab + 163 (1 door)</p> <p>cab + 327 (2 doors)</p>

MOD. CODES & DESCRIPTIONS	EXAMPLE	LIST PRICES
<p>BD Reversed Base Cabinet with drawer at the bottom of the cabinet</p>	 <p>pictured: B21 reversed base cabinet (drawer at the bottom)</p>	<p>cab + 417</p>
<p>Finished Ends (cost per side)</p>	 <p>pictured: B15 finished left and W1230 finished left</p>	<p>cab + 53 (wall) cab + 73 (base) cab + 183 (tall)</p>
<p>1DRW Convert 2 drawers to 1 drawer (only available on 30", 33", & 36" base cabinets)</p>	 <p>pictured: B33- 2 drawers converted to 1 drawer</p>	<p>cab + 333</p>
<p>SB Sink Base Converts Top Drawer to False Front in Drawer Base or Vanity Drawer Base</p>	 <p>pictured: VDB- top drawer converted to false front</p>	<p>cab + 0 (no additional charge)</p>

SUMMARY MODIFICATIONS & SUGGESTED LIST PRICES		
MOD. CODES	DESCRIPTIONS	LIST PRICES
RD	Reduce Depth of cabinet base (12" minimum); wall (4" minimum) - 1" increments Reduce Depth of roll out tray	cab + 300 cab + 500 (talls & bases) ROT+167
ID	Increase Depth of wall and vanity cabinet (24" maximum); bookcase (18" maximum) - 1" increments	cab + 657 (wall & vanity) 1.5 x cab (bookcase)
BTKR or L or B	Recess Toe Kick on Right or Left or Back of base, pantry, or vanity cabinet	cab + 283
BTKRL	Recess Toe Kick on Right and Left of base, pantry, or vanity cabinet	cab + 417
BTKN	Toe Kick Removed from base, pantry, or vanity cabinet (height less 4½")	cab + 450
WTKF	Add Toe Kick to Wall Cabinet with Toe Kick Space at Front only (height plus 4½")	cab + 417
WTKR or L	Add Toe Kick to Wall Cabinet with Toe Kick Space to Right or Left (height plus 4½")	cab + 417
WTKRL	Add Toe Kick to Wall Cabinet with Toe Kick Space to Right and Left (height plus 4½")	cab + 483
WTKFR or L	Add Toe Kick to Wall Cabinet with Toe Kick Space to Front and Right or Left (height plus 4½")	cab + 483
WTKFRL	Add Toe Kick to Wall Cabinet with Toe Kick Space to Front, Right, and Left (height plus 4½")	cab + 550
TP #	Face Frame Only - face frame, drawer front(s), and door(s) only	75% x cab. *
BO #	Box Only	60% x cab. *
NOFRONTS#	No Doors/Drawer Fronts - includes hardware, shelves and drawer	85% x cab. *
FI	Cabinet with Finished Interior	cab + 420
FIT	Tall Cabinet with Finished Interior	533
PCR or L	Pipe Chase Cut-Out on Right or Left Corner (width x depth)	cab + 983
PCM	Pipe Chase Cut-Out in Middle (width x depth, location)	cab +1,250
ESR or L	Install Extended Stile on Right or Left side of cabinet (Adds 3" to either side) Field Trimmable	cab + 417
ESRL	Install Extended Stile on Right and Left sides of cabinet (Adds 3" to both sides) Field Trimmable	cab + 834
PN	Peninsula Cabinet	1.5 x cab. *
WEP or BEP	Factory Applied Wall or Base Panels	cab + WEP/BEP + 90
FDS #	Install Full Depth Shelf in a base cabinet	cab + 100
2SH #	Install Second Shelf in a base cabinet	cab + 100
PG	Prep for Glass - remove center panel in door	cab + 163
BD	Reversed Base Cabinet with drawer at the bottom of the cabinet	cab + 417

NOTE: Modifications extend lead times, except modifications noted with "#".

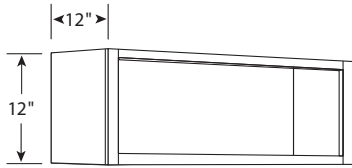
(continued on next page)

SUMMARY MODIFICATIONS & SUGGESTED LIST PRICES <i>(continued)</i>		
MOD. CODES	DESCRIPTIONS	LIST PRICES
FINISHED END	Finished Ends (cost per side)	cab + 53 (wall) cab + 73 (base) cab + 183 (tall)
1DRW	Converts 2 drawers to 1 drawer, Only available for 30", 33", 36"	cab + \$333
SB	Converts top drawer to false front (DBs or VDBs)	No Charge

NOTE: Modifications extend lead times, except modifications noted with "#".

WALL CABINETS

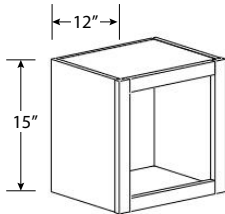
Wall Cabinet 12" High, 2 Doors



	1	2	3	4	5	6	7
W3012	256	269	282	294	307	320	333
W3612	300	315	330	345	360	375	390
W3912	345	362	380	397	414	431	449
W361224 (24" Deep)	405	425	446	466	486	506	527

- No Shelf

Wall Cabinet 15" High, 1 Door

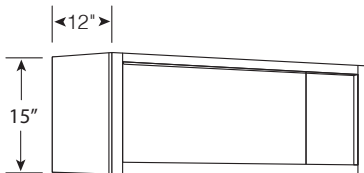


	1	2	3	4	5	6	7
W1215	131	138	144	151	157	164	170
W1515	155	163	171	178	186	194	202
W1815	175	184	193	201	210	219	228
W2115	195	205	215	224	234	244	254

- No Shelf

- Not Available in Hampton, Dalton or Lenox Door Styles

Wall Cabinet 15" High, 2 Doors



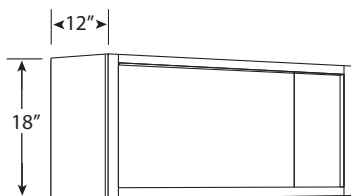
	1	2	3	4	5	6	7
W2415 [#]	220	231	242	253	264	275	286
W2715 [#]	246	258	271	283	295	308	320
W3015	296	311	326	340	355	370	385
W3315	317	333	349	365	380	396	412
W3615	338	355	372	389	406	423	439
W3915 [#]	329	345	362	378	395	411	428
W4215* [#]	367	385	404	422	440	459	477

- No Shelf

* Has 3" Center Stile

[#] Not Available in Hampton, Dalton or Lenox Door Styles

Wall Cabinet 18" High, 2 Doors

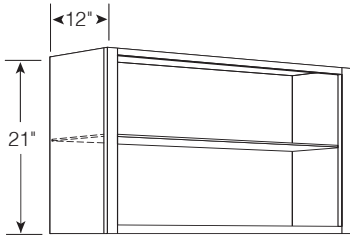


	1	2	3	4	5	6	7
W2418	312	328	343	359	374	390	406
W3018	321	337	353	369	385	401	417
W3318	349	367	384	401	419	436	454
W3618	377	396	415	434	452	471	490
W361824 (24" Deep)	462	485	508	531	554	578	601

- No Shelf

WALL CABINETS

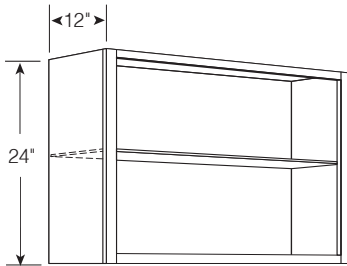
Wall Cabinet 21" High, 2 Doors



	1	2	3	4	5	6	7
W3021	398	418	438	458	478	498	517

- One Shelf

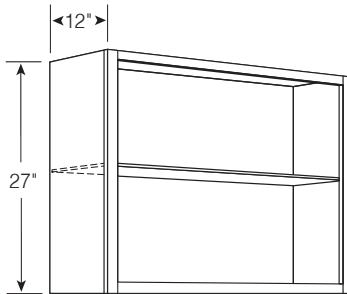
Wall Cabinet 24" High, 2 Doors



	1	2	3	4	5	6	7
W3024	432	454	475	497	518	540	562
W3624	496	521	546	570	595	620	645

- One Shelf

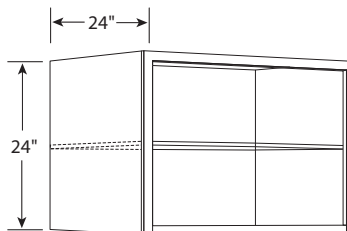
Wall Cabinet 27" High, 2 Doors



	1	2	3	4	5	6	7
W3027	465	488	512	535	558	581	605

- One Shelf

Wall Cabinet 24" High X 24" Deep, 2 Doors

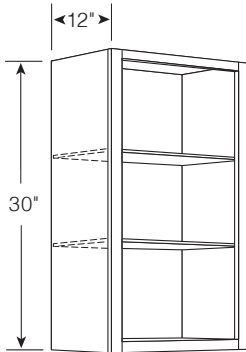


	1	2	3	4	5	6	7
W362424	650	683	715	748	780	813	845

- One Shelf
- Refrigerator Cabinet

WALL CABINETS

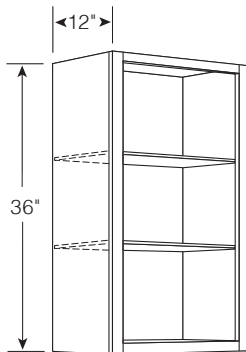
Wall Cabinet 30" High, 1 Door



	1	2	3	4	5	6	7
W0930	229	240	252	263	275	286	298
W1230	262	275	288	301	314	328	341
W1530	309	324	340	355	371	386	402
W1830	350	368	385	403	420	438	455
W2130	390	410	429	449	468	488	507

- Two Shelves

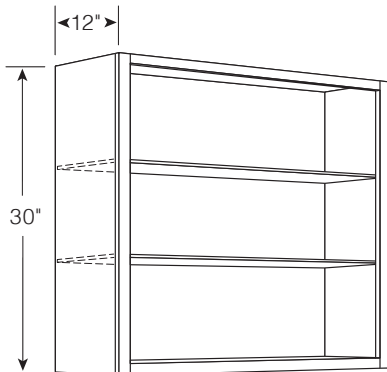
Wall Cabinet 36" High, 1 Door



	1	2	3	4	5	6	7
W0936	272	286	299	313	326	340	354
W1236	316	332	348	363	379	395	411
W1536	362	380	398	416	434	453	471
W1836	407	427	448	468	488	509	529
W2136	454	477	499	522	545	568	590

- Two Shelves

Wall Cabinet 30" High, 2 Doors



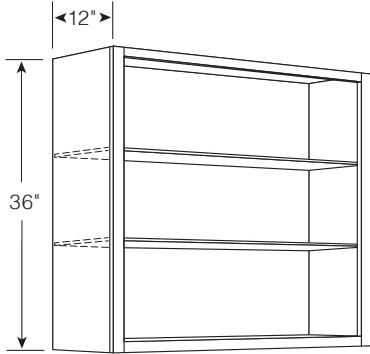
	1	2	3	4	5	6	7
W2430-2	440	462	484	506	528	550	572
W2730	493	518	542	567	592	616	641
W3030	518	544	570	596	622	648	673
W3330	574	603	631	660	689	718	746
W3630	618	649	680	711	742	773	803
W3930	658	691	724	757	790	823	855
W4230*	734	771	807	844	881	918	954

- Two Shelves

* Has 3" Center Stile

WALL CABINETS

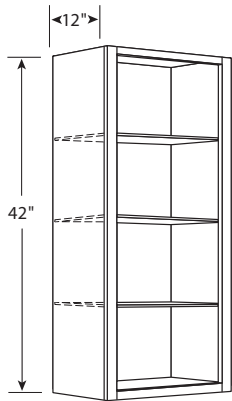
Wall Cabinet 36" High, 2 Doors



	1	2	3	4	5	6	7
W2436-2	515	541	567	592	618	644	670
W2736	575	604	633	661	690	719	748
W3036	607	637	668	698	728	759	789
W3336	671	705	738	772	805	839	872
W3636	716	752	788	823	859	895	931
W3936	756	794	832	869	907	945	983
W4236 *	848	890	933	975	1,018	1,060	1,102

- Two Shelves
 * Has 3" Center Stile

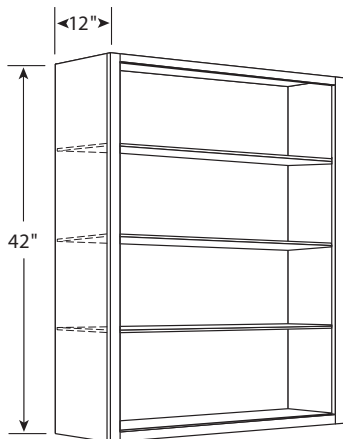
Wall Cabinet 42" High, 1 Door



	1	2	3	4	5	6	7
W0942	316	332	348	363	379	395	411
W1242	366	384	403	421	439	458	476
W1542	421	442	463	484	505	526	547
W1842	474	498	521	545	569	593	616
W2142	529	555	582	608	635	661	688

- Three Shelves

Wall Cabinet 42" High, 2 Doors

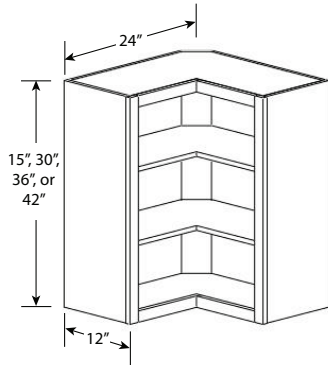


	1	2	3	4	5	6	7
W2442-2	618	649	680	711	742	773	803
W2742	673	707	740	774	808	841	875
W3042	726	762	799	835	871	908	944
W3342	781	820	859	898	937	976	1,015
W3642	835	877	919	960	1,002	1,044	1,086

- Three Shelves

CORNER CABINETS

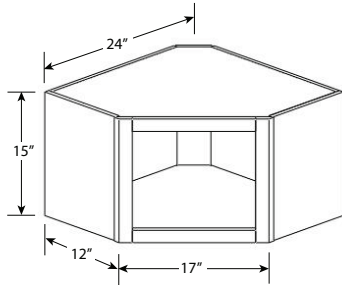
Easy Reach Corner Wall Cabinet, 24" Wide



	1	2	3	4	5	6	7
ERCW2415 (0)	645	677	710	742	774	806	839
ERCW2430 (2)	768	806	845	883	922	960	998
ERCW2436 (2)	827	868	910	951	992	1,034	1,075
ERCW2442 (3)	914	960	1,005	1,051	1,097	1,143	1,188

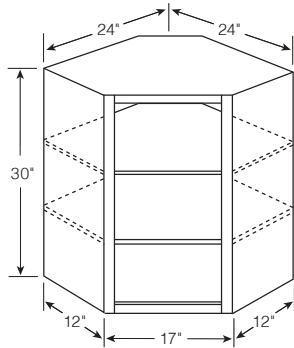
- Double Hinged Doors
- Order Lazy Susan Separately, Free Install
- Not Available in Hampton, Dalton or Lenox Door Styles
- (# of shelves)

Corner Wall Cabinet 15" High, 1 Door



	1	2	3	4	5	6	7
CW2415	296	311	326	340	355	370	385

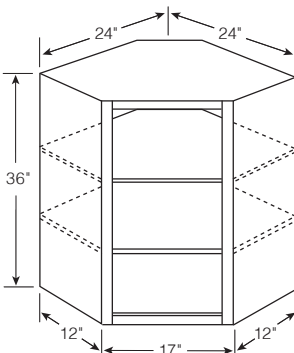
Corner Wall Cabinet 30" High, 1 Door



	1	2	3	4	5	6	7
CW2430	593	623	652	682	712	741	771

- Two Shelves

Corner Wall Cabinet 36" High, 1 Door

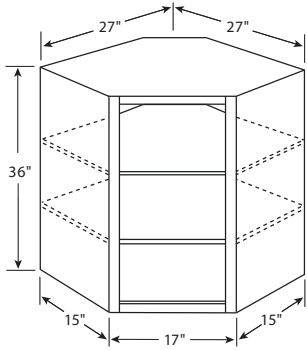


	1	2	3	4	5	6	7
CW2436	639	671	703	735	767	799	831

- Two Shelves

CORNER & BLIND WALL CABINETS

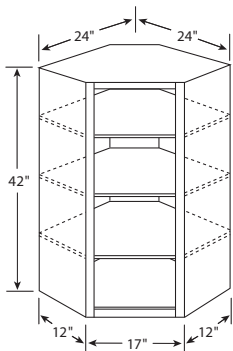
Corner Wall Cabinet 36" High x 15" Deep, 1 Door



	1	2	3	4	5	6	7
CW2736	737	774	811	848	884	921	958

- Two Shelves

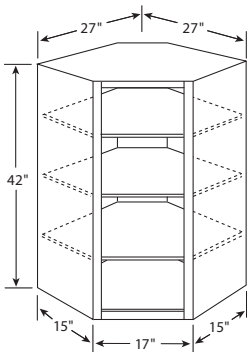
Corner Wall Cabinet 42" High, 1 Door



	1	2	3	4	5	6	7
CW2442	760	798	836	874	912	950	988

- Three Shelves

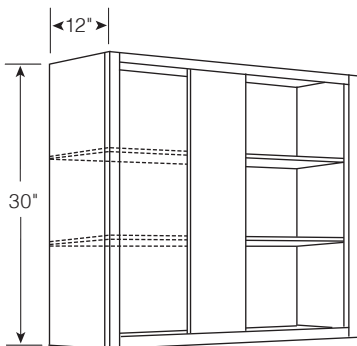
Corner Wall Cabinet 42" High x 15" Deep, 1 Door



	1	2	3	4	5	6	7
CW2742	1024	1,075	1,126	1,178	1,229	1,280	1,331

- Three Shelves

Blind Wall Cabinet 30" High, 1 Door

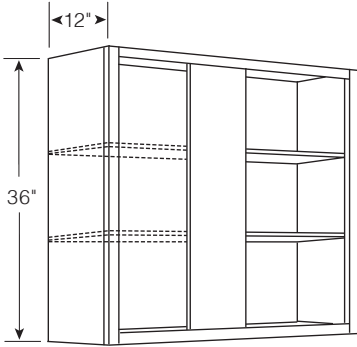


	1	2	3	4	5	6	7
BW2430	458	481	504	527	550	573	595
BW3030	540	567	594	621	648	675	702
BW3630	621	652	683	714	745	776	807

- Two Shelves
- Choose Side to Hinge Door
- Stile = 4¾" wide
- Shown: Blind Right with Door on Left

BLIND WALL CABINETS

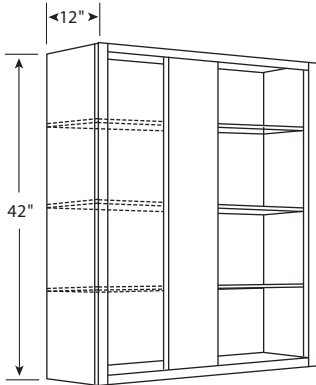
Blind Wall Cabinet 36" High, 1 Door



	1	2	3	4	5	6	7
BW2436	533	560	586	613	640	666	693
BW3036	624	655	686	718	749	780	811
BW3636	717	753	789	825	860	896	932

- Two Shelves
- Choose Side to Hinge Door
- Stile = 4¾" wide
- Shown: Blind Right with Door on Left

Blind Wall Cabinet 42" High, 1 Door



	1	2	3	4	5	6	7
BW2442	624	655	686	718	749	780	811
BW3042	734	771	807	844	881	918	954
BW3642	913	959	1,004	1,050	1,096	1,141	1,187

- Three Shelves
- Choose Side to Hinge Door
- Stile = 4¾" wide
- Shown: Blind Right with Door on Left

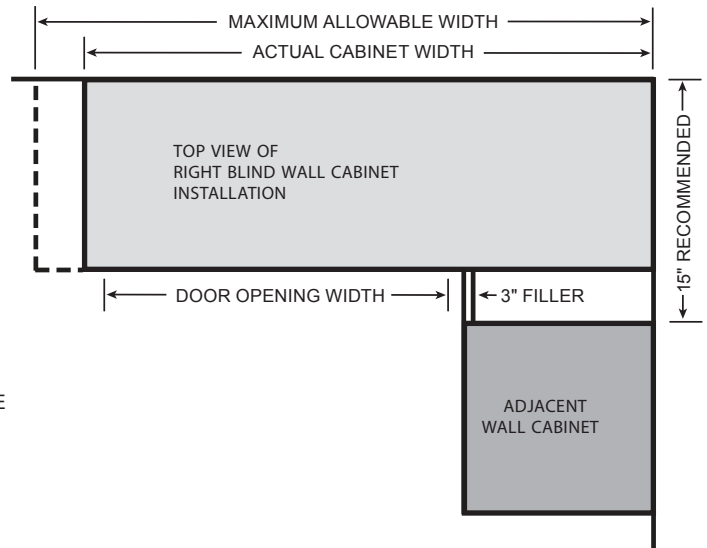
Blind Wall Cabinet Installation Recommendations

By Width

CABINET NUMBER	ACTUAL CABINET WIDTH	MIN/MAX RECOMMENDED DIMENSIONS FOR INSTALL	WIDTH OF DOOR OPENING
BW24XX	24"	24" - 26½"	9"
BW30XX	30"	30" - 32½"	15"
BW36XX	36"	36" - 38½"	21"

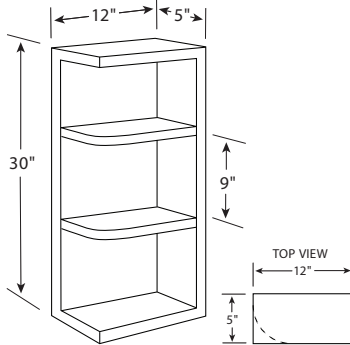
ORDER FILLER SEPARATELY

MEASUREMENTS BASED ON DESIGN USING A 4¾" VERTICAL IN FACE FRAME



SPECIALTY WALL CABINETS

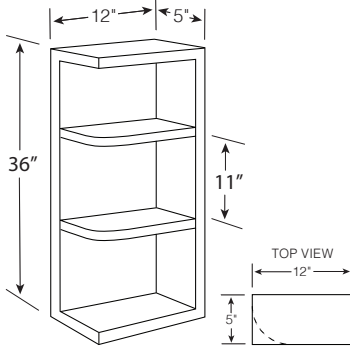
Wall Cabinet 30" High, 1/4 Round Shelves



	1	2	3	4	5	6	7
WQR630	149	156	164	171	179	186	194

- Two Fixed Shelves

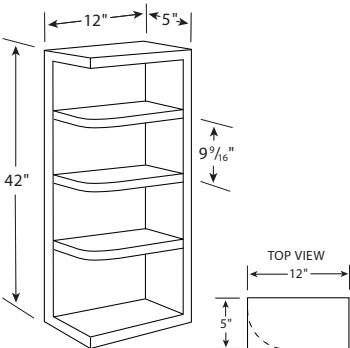
Wall Cabinet 36" High, 1/4 Round Shelves



	1	2	3	4	5	6	7
WQR636	173	182	190	199	208	216	225

- Two Fixed Shelves

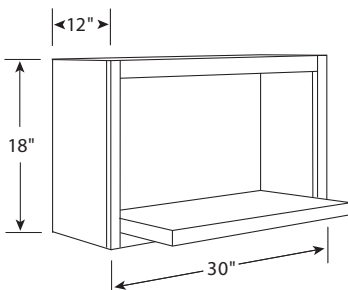
Wall Cabinet 42" High, 1/4 Round Shelves



	1	2	3	4	5	6	7
WQR642	196	206	216	225	235	245	255

- Three Fixed Shelves

Microwave Wall Cabinet 18" High

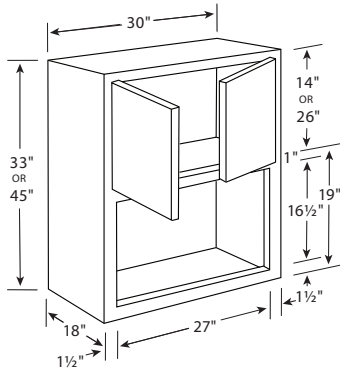


	1	2	3	4	5	6	7
MWS3018X12	267	280	294	307	320	334	347

- Shelf is 17" Deep
- Opening Dimensions: 27" W x 14 1/4" H x 17" D
- Finished Interior and Exterior is Standard

SPECIALTY WALL CABINETS

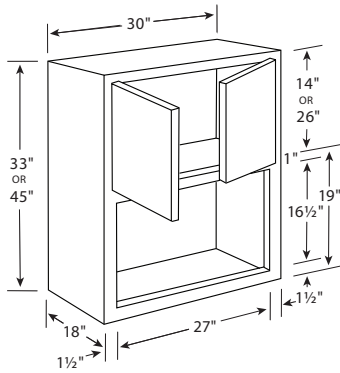
Microwave Wall Cabinet 33" High



	1	2	3	4	5	6	7
WMW303318	748	785	823	860	898	935	972

- Supplied with an Overlay Face Frame
- Opening Dimensions: 25" W x 14³/₈" H Trimmable
- Finished Interiors and Finished Ends are not Standard and Must be Specified if Desired.

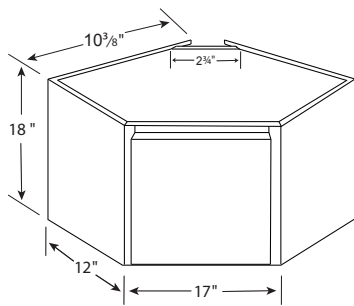
Microwave Wall Cabinet 45" High



	1	2	3	4	5	6	7
WMW304518	1064	1,117	1,170	1,224	1,277	1,330	1,383

- Supplied with an Overlay Face Frame
- Opening Dimensions: 25" W x 14³/₈" H Trimmable
- Finished Interiors and Finished Ends are not Standard and Must be Specified if Desired.

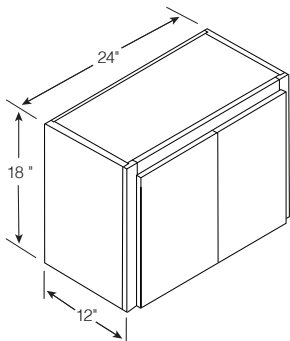
Diagonal Appliance Garage



	1	2	3	4	5	6	7
ADAG2418	283	297	311	325	340	354	368

- Single Door Hinged to Side Stile
- No Bottom Panel, No Under Rail
- Matches CW24 (Length & Width)
- Finished Exterior is Standard

Appliance Garage with Doors

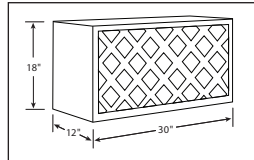
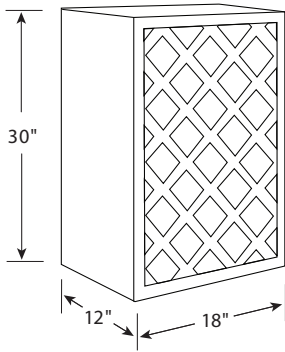


	1	2	3	4	5	6	7
AG2418BD	312	328	343	359	374	390	406

- Full Framed Cabinet with Bottom Panel
- Can be Used as a W2418

SPECIALTY WALL CABINETS

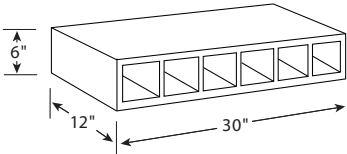
Wall Wine Racks



	1	2	3	4	5	6	7
WR1830	510	536	561	587	612	638	663
WR3018	494	519	543	568	593	618	642

- Holds 18 to 20 Bottles
- Finished Interior and Exterior is Standard

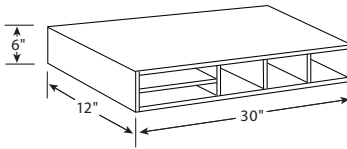
Wine Cubbies



	1	2	3	4	5	6	7
WCU30	208	218	229	239	250	260	270

- Can be Installed Vertically or Horizontally
- Made of 3/4" Veneer Plywood for Interiors
- Finished to Match and Front Edges Banded

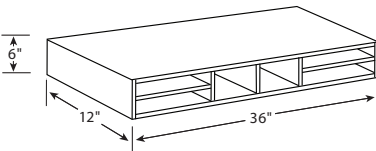
Wall Organizers & Shelves, 30" Wide



	1	2	3	4	5	6	7
WO306	208	218	229	239	250	260	270

- Opening Widths are: 10 1/2" and 5 1/4"
- Made of 3/4" Veneer Plywood for Interiors
- Finished to Match and Front Edges Banded

Wall Organizers & Shelves, 36" Wide

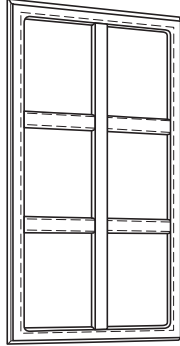


	1	2	3	4	5	6	7
WO366	225	236	248	259	270	281	293

- Opening Widths are: 10 1/2" and 5 1/2"
- Made of 3/4" Veneer Plywood for Interiors
- Finished to Match and Front Edges Banded

SPECIALTY WALL CABINETS

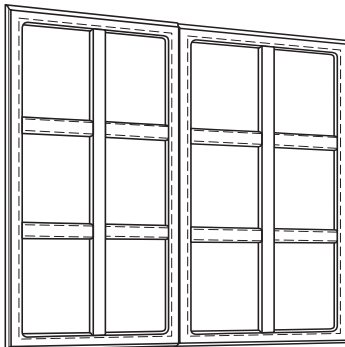
Mullion Doors- 1 Door



	1	2	3	4	5	6	7
MULLCW2430	N/A	N/A	N/A	N/A	203	N/A	N/A
MULLCW2436	N/A	N/A	N/A	N/A	245	N/A	N/A
MULLCW2442	N/A	N/A	N/A	N/A	287	N/A	N/A
MULLCW2736	N/A	N/A	N/A	N/A	245	N/A	N/A
MULLCW2742	N/A	N/A	N/A	N/A	287	N/A	N/A
MULLW1530	N/A	N/A	N/A	N/A	203	N/A	N/A
MULLW1536	N/A	N/A	N/A	N/A	245	N/A	N/A
MULLW1542	N/A	N/A	N/A	N/A	287	N/A	N/A
MULLW1830	N/A	N/A	N/A	N/A	245	N/A	N/A
MULLW1836	N/A	N/A	N/A	N/A	296	N/A	N/A
MULLW1842	N/A	N/A	N/A	N/A	347	N/A	N/A

- Glass Not Supplied
- See Online Order Site for Available Colors/Styles
- See Prep for Glass Doors for Additional Options
- Available for Hampton and Lenox Chestnut door styles only
- While Supplies Last

Mullion Doors- 2 Doors

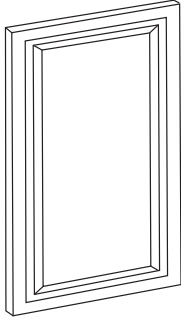


	1	2	3	4	5	6	7
MULLW2430-2	N/A	N/A	N/A	N/A	326	N/A	N/A
MULLW2436-2	N/A	N/A	N/A	N/A	395	N/A	N/A
MULLW2442-2	N/A	N/A	N/A	N/A	463	N/A	N/A
MULLW3030	N/A	N/A	N/A	N/A	410	N/A	N/A
MULLW3036	N/A	N/A	N/A	N/A	497	N/A	N/A
MULLW3042	N/A	N/A	N/A	N/A	582	N/A	N/A
MULLW3630	N/A	N/A	N/A	N/A	494	N/A	N/A
MULLW3636	N/A	N/A	N/A	N/A	598	N/A	N/A
MULLW3642	N/A	N/A	N/A	N/A	701	N/A	N/A

- Glass Not Supplied
- See Online Order Site for Available Colors/Styles
- See Prep for Glass Doors for Additional Options
- Available for Hampton and Lenox Chestnut door styles only
- While Supplies Last

SPECIALTY WALL CABINETS

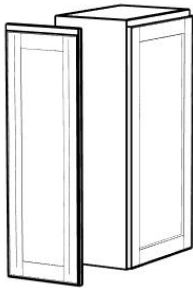
Wall End Panel Doors (Loose Decorative Door)



	1	2	3	4	5	6	7
WEP1230 (12"x 30")	132	139	145	152	158	165	172
WEP1236 (12"x 36")	158	166	174	182	190	198	205
WEP1242 (12"x 42")	181	190	199	208	217	226	235

- WEPs Match Door
- Reveals - 1/2" Less Width and 1 1/4" Less Height
- Cabinet Side that is Receiving WEP must be Finished or Purchase Skin Separately if Installing in the Field

Wall End Panel Kits

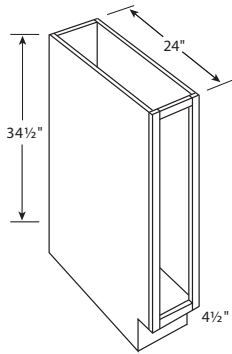


	1	2	3	4	5	6	7
WEK1230	226	233	239	246	252	283	294
WEK1236	276	284	292	300	308	345	359
WEK1242	310	319	328	337	346	388	403

- Not Installed
- Kits Include WEP and Finished Skin
- Cabinet purchased separately

BASE CABINETS

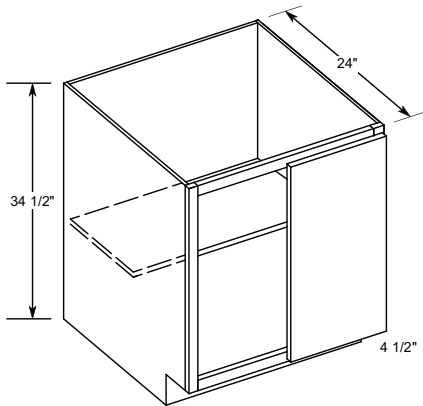
Base Cabinet Full Height Single Door



	1	2	3	4	5	6	7
B09FHD	289	303	318	332	347	361	376
B12FHD	459	482	505	528	551	574	597
B15FHD	502	527	552	577	602	628	653
B18FHD	549	576	604	631	659	686	714
B21FHD	596	626	656	685	715	745	775

- No Shelf

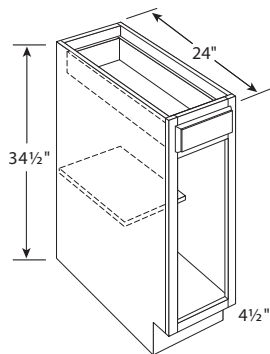
Base Cabinet Full Height, 2 Doors



	1	2	3	4	5	6	7
B24FHD	659	692	725	758	791	824	857
B27FHD	707	742	778	813	848	884	919
B30FHD	726	762	799	835	871	908	944
B33FHD	765	803	842	880	918	956	995
B36FHD	809	849	890	930	971	1,011	1,052
B39FHD	852	895	937	980	1,022	1,065	1,108
B42FHD**	893	938	982	1,027	1,072	1,116	1,161

** Will Have Center Stile

Base Cabinet, 1 Drawer & 1 Door

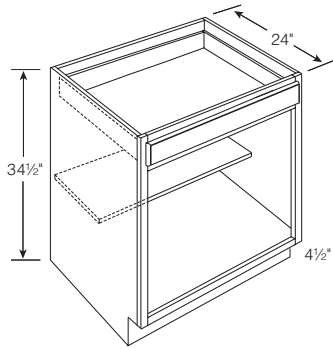


	1	2	3	4	5	6	7
B12	483	507	531	555	580	604	628
B15	528	554	581	607	634	660	686
B18	578	607	636	665	694	723	751
B21	627	658	690	721	752	784	815

- Can be Modified for Fixed Front

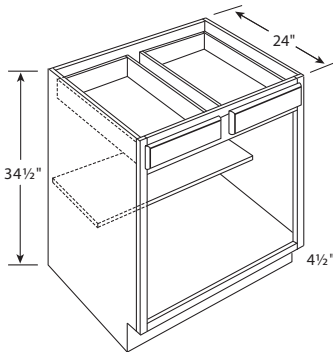
BASE & SINK BASE CABINETS

Base Cabinet, 1 Drawer & 2 Doors



	1	2	3	4	5	6	7
B24	694	729	763	798	833	868	902
B27	744	781	818	856	893	930	967

Base Cabinet, 2 Drawers & 2 Doors

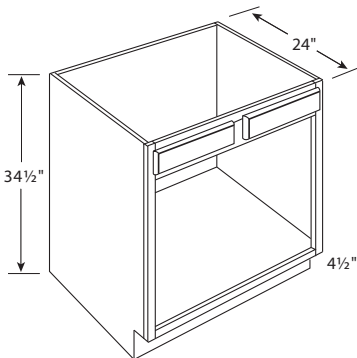


	1	2	3	4	5	6	7
B30*	764	802	840	879	917	955	993
B33*	805	845	886	926	966	1,006	1,047
B36*	852	895	937	980	1,022	1,065	1,108
B39	897	942	987	1,032	1,076	1,121	1,166
B42 **	940	987	1,034	1,081	1,128	1,175	1,222

* Single Drawer Modification Option for \$333 + cabinet

** Will Have Center Stile

Sink Base Cabinet, 2 Doors



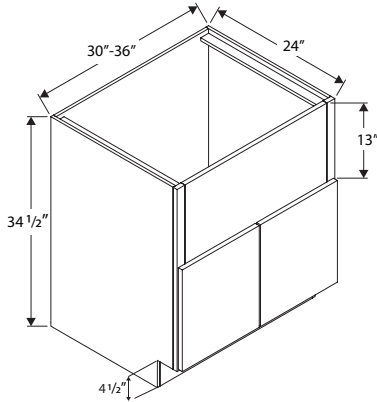
	1	2	3	4	5	6	7
SB24 *	549	576	604	631	659	686	714
SB27 *	560	588	616	644	672	700	728
SB30	578	607	636	665	694	723	751
SB33	612	643	673	704	734	765	796
SB36	651	684	716	749	781	814	846
SB42 **	724	760	796	833	869	905	941

* Single Drawer Front

** Will Have Center Stile

SINK & MICROWAVE BASE CABINETS

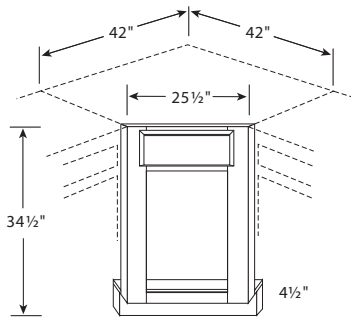
Farm House Sink Base



	1	2	3	4	5	6	7
SBFH30	867	910	954	997	1,040	1,084	1,127
SBFH33	889	933	978	1,022	1,067	1,111	1,156
SBFH36	937	984	1,031	1,078	1,124	1,171	1,218

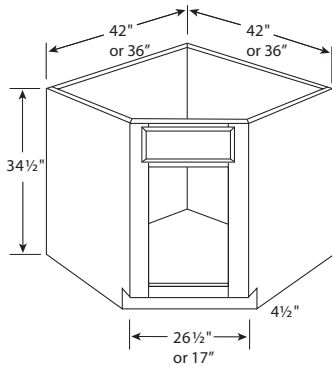
- Apron Can be Cut in Field, to Custom Fit Farm Sink

Sink Front Cabinet, 1 Door



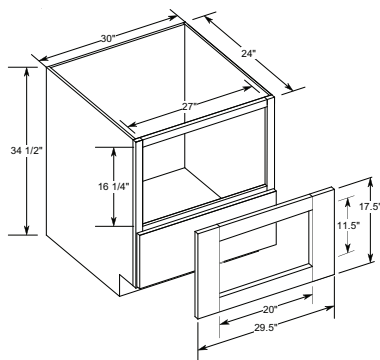
	1	2	3	4	5	6	7
CSF42	360	378	396	414	432	450	468

Corner Sink Base Cabinet, 1 Door



	1	2	3	4	5	6	7
DSB36	612	643	673	704	734	765	796
DSB42	810	851	891	932	972	1,013	1,053

Base Microwave Cabinet w/Dish Drawer

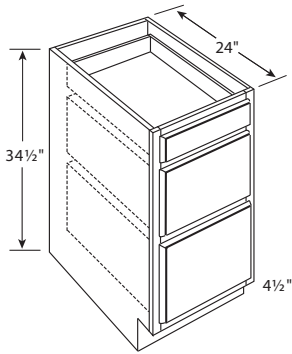


	1	2	3	4	5	6	7
BM30	784	823	862	902	941	980	1,019

- 27" Wide Opening
- Drawer Head Height: 11", Side Depth 5 1/2"
- Trimmable Overlay Panel Included
- Finished Interior Not Included

DRAWER BASE & EASY REACH CABINETS

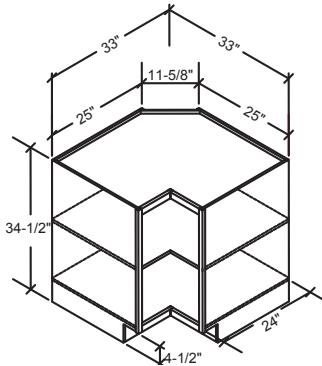
Drawer Base Cabinet, 3 Drawers



	1	2	3	4	5	6	7
DB12	543	570	597	624	652	679	706
DB15	601	631	661	691	721	751	781
DB18	655	688	721	753	786	819	852
DB21	712	748	783	819	854	890	926
DB24	766	804	843	881	919	958	996
DB30	879	923	967	1,011	1,055	1,099	1,143
DB36	1015	1,066	1,117	1,167	1,218	1,269	1,320

- Single Top Drawer on All Sizes
- Top Drawer Height: 6³/₄" , Side Depth 3¹/₄"
- Bottom Drawer Height: 10¹/₂" , Side Depth 5¹/₂"
- Slab Door Styles Will Have All 3 Slab Drawers

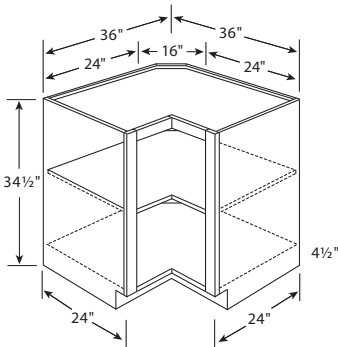
Easy Reach Corner Base Cabinet, 33" Wide



	1	2	3	4	5	6	7
ER33	838	880	922	964	1,006	1,048	1,089

- Double Hinged Doors
- One Shelf
- Order Lazy Susan Separately, Free Install

Easy Reach Corner Base Cabinet, 36" Wide

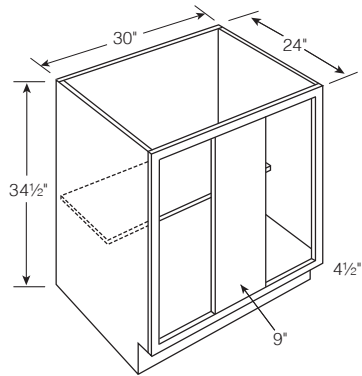


	1	2	3	4	5	6	7
ER36	1050	1,103	1,155	1,208	1,260	1,313	1,365

- Double Hinged Doors
- One Shelf
- Order Lazy Susan Separately, Free Install

BLIND BASE CABINETS

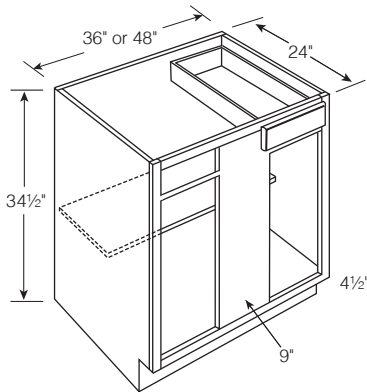
Blind Base Cabinet, 1 Door & No Drawer



	1	2	3	4	5	6	7
BB36 (No Drawer)	574	603	631	660	689	718	746

- Specify on Order Which Side Receives Door
- Shown: Blind Left with Door on Right

Blind Base Cabinet, 1 Door & 1 Drawer



	1	2	3	4	5	6	7
BB42	814	855	895	936	977	1,018	1,058
BB48	948	995	1,043	1,090	1,138	1,185	1,232

- Specify on Order Which Side Receives Drawer and Door
- Shown: Blind Left with Door and Drawer on Right

Blind Base Cabinet Installation Recommendations

By Width

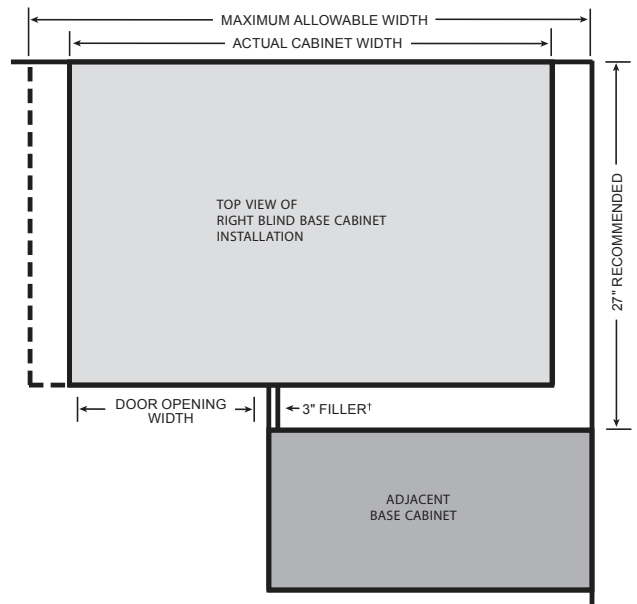
CABINET NUMBER	ACTUAL CABINET WIDTH	MIN/MAX RECOMMENDED DIMENSIONS FOR INSTALL	WIDTH OF DOOR OPENING
BB36**	30"	36" - 39"	9"
BB42	36"	42" - 45"	12"
BB48	48"	48" - 52"	18"

NOTE: MINIMUM PULL RECOMMENDATION INCLUDES 3" STILE REVEAL TO CORNER

ORDER FILLER SEPARATELY

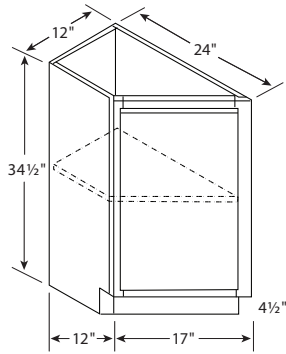
**FULL-HEIGHT DOOR, NO DRAWER (BB36 ONLY)

9" CENTER STILE



SPECIALTY BASE CABINETS

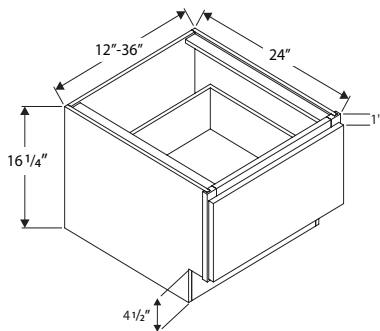
Transitional Angled Base Cabinet w/ Full Height Door



	1	2	3	4	5	6	7
TAB12FHDL	485	509	534	558	582	606	631
TAB12FHDR	485	509	534	558	582	606	631

- TAB 12FHDL (pictured)
- Hinges on Small side
- Finished Exterior is Standard
- Modification Not Available: Add Toe Kick to Right, Left or Both

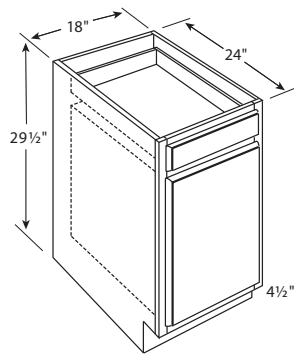
Window Seat Base Cabinet



	1	2	3	4	5	6	7
BWS12	535	562	589	615	642	669	696
BWS15	561	589	617	645	673	701	729
BWS18	604	634	664	695	725	755	785
BWS21	622	653	684	715	746	778	809
BWS24	644	676	708	741	773	805	837
BWS30	685	719	754	788	822	856	891
BWS36	734	771	807	844	881	918	954

- Extended lead times for this SKU

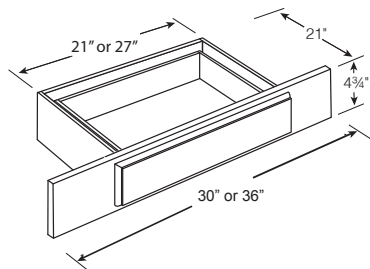
File Drawer



	1	2	3	4	5	6	7
DDB18	659	692	725	758	791	824	857

- Standard Top Drawer on Full Overlay Stiles 6 3/4" High, the Sides are 4" High
- Large Bottom Drawer Head on Full Overlay Stiles 16 1/2" High, the Sides are 11 3/8" High

Vanity Lap Drawer

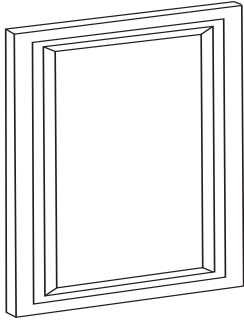


	1	2	3	4	5	6	7
KD30	387	406	426	445	464	484	503
KD36	471	495	518	542	565	589	612

- Drawer Head is Slab with Edge Profile
- Trimmable 3" Stile Each Side of Drawer
- Each Drawer can be Trimmed up to 6"

SPECIALTY BASE CABINETS

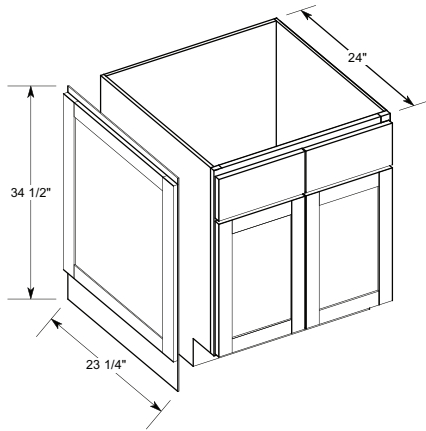
Base End Panel Door (Loose Decorative Door)



	1	2	3	4	5	6	7
BEP2430-1 (24"x 30")	263	276	289	302	316	329	342

- BEPs Match Door
- Reveals - 1/2" Less Width and 1 1/4" Less Height
- Cabinet Side that is Receiving BEP must be Finished or Purchase Skin Separately if Installing in the Field

Base End Panel Kit

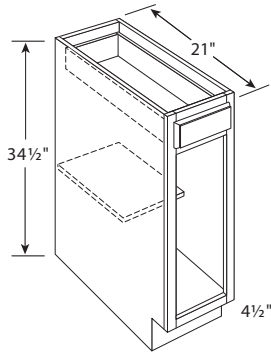


	1	2	3	4	5	6	7
BEK2430-1LEFT	422	435	448	461	475	528	549
BEK2430-1RIGHT	422	435	448	461	475	528	549

- Not Installed
- Kits Include BEP and Finished Skin
- Cabinet purchased separately

VANITY BASE CABINETS

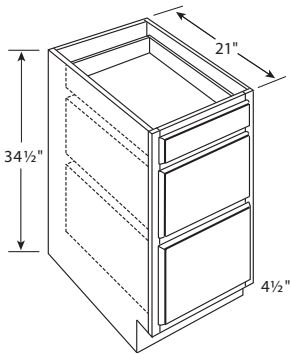
Vanity Base Cabinet



	1	2	3	4	5	6	7
VB12	453	476	498	521	544	566	589
VB15	498	523	548	573	598	623	647
VB18	545	572	600	627	654	681	709

- 21" Deep
- One Shelf

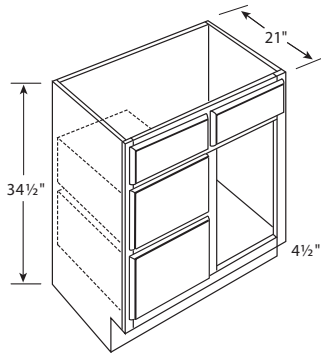
Vanity Drawer Base Cabinet



	1	2	3	4	5	6	7
VDB12	485	509	534	558	582	606	631
VDB15	544	571	598	626	653	680	707
VDB18	597	627	657	687	716	746	776
VDB21	650	683	715	748	780	813	845
VDB24	704	739	774	810	845	880	915

- 21" Deep
- Slab Door Styles Will Have All 3 Slab Drawers

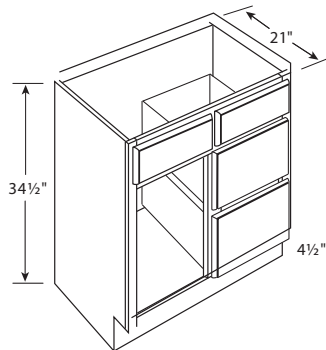
Vanity Sink Base Cabinet, 2 Left Drawers & 1 Door



	1	2	3	4	5	6	7
VSDL30	723	759	795	831	868	904	940
VSDL36	805	845	886	926	966	1,006	1,047

- 21" Deep
- Two False Drawer Heads
- Slab Door Styles Will Have All 4 Slab Drawers

Vanity Sink Base Cabinet, 2 Right Drawers & 1 Door

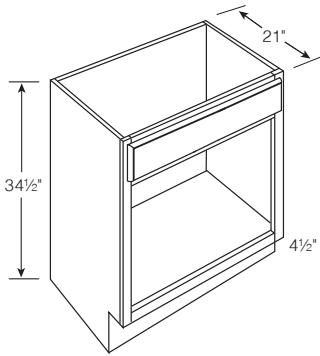


	1	2	3	4	5	6	7
VSDR30	723	759	795	831	868	904	940
VSDR36	805	845	886	926	966	1,006	1,047

- 21" Deep
- Two False Drawer Heads
- Slab Door Styles Will Have All 4 Slab Drawers

VANITY BASE CABINETS

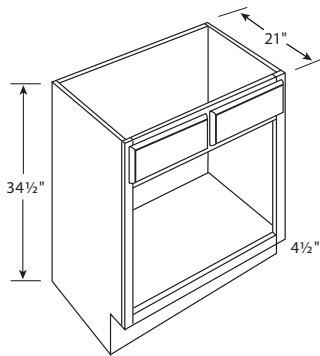
Vanity Sink Base Cabinet, 2 Doors



	1	2	3	4	5	6	7
V24	472	496	519	543	566	590	614
V27	510	536	561	587	612	638	663

- 21" Deep
- One False Drawer Head

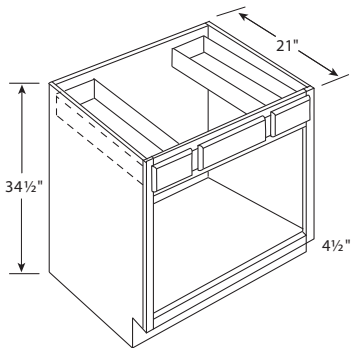
Vanity Sink Base Cabinet, 2 Doors



	1	2	3	4	5	6	7
V30	555	583	611	638	666	694	722
V33	589	618	648	677	707	736	766
V36	627	658	690	721	752	784	815
V42**	698	733	768	803	838	873	907

- 21" Deep
- Two False Drawer Heads
- ** Will Have Center Stile

Vanity Sink Base Cabinet, 2 Drawers & 2 Doors

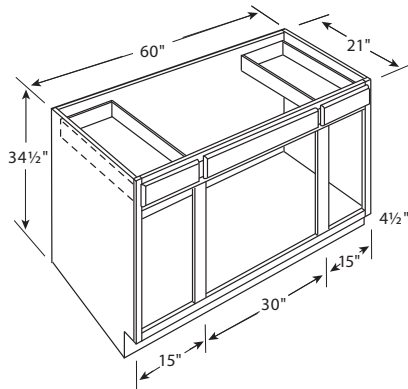


	1	2	3	4	5	6	7
VSB36 *	773	812	850	889	928	966	1,005
VSB42 **	871	915	958	1,002	1,045	1,089	1,132
VSB48 **	948	995	1,043	1,090	1,138	1,185	1,232

- 21" Deep
- VSB36 has 10" Wide Drawer Fronts
- VSB42 has 11 1/2" Wide Drawer Fronts
- VSB48 has 11 1/2" Wide Drawer Fronts
- * Under-mount Drawer Glides
- ** Will Have Center Stile

VANITY BASE CABINETS

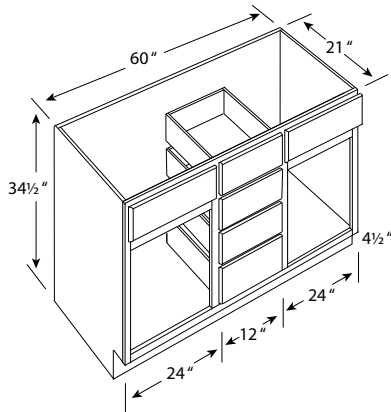
Vanity Sink Base Cabinet, 2 Drawers & 4 Doors



	1	2	3	4	5	6	7
VSB60	1166	1,224	1,283	1,341	1,399	1,458	1,516

- 21" Deep

Double Vanity Sink Base Cabinet, 4 Drawers & 2 Doors



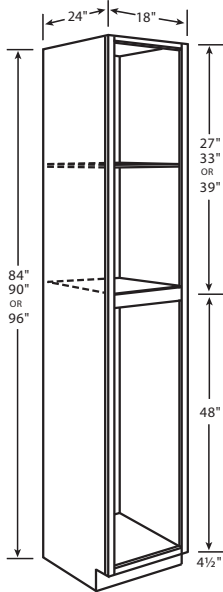
	1	2	3	4	5	6	7
VDB60	1131	1,188	1,244	1,301	1,357	1,414	1,470

- 21" Deep

- Slab Door Styles Will Have All 6 Slab Drawers

TALL CABINETS

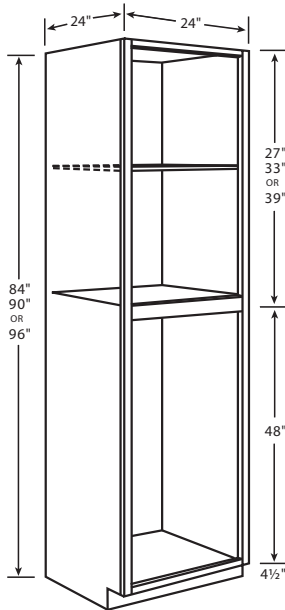
18" Wide Utility Cabinet, 1 Door



	1	2	3	4	5	6	7
P1884	1064	1,117	1,170	1,224	1,277	1,330	1,383
P1890	1117	1,173	1,229	1,285	1,340	1,396	1,452
P1896	1363	1,431	1,499	1,567	1,636	1,704	1,772

- Single Door on Top & Bottom
- 84" & 90" High Cabinets have 4 Adjustable Shelves and 1 Divider Shelf
- 96" High Cabinets have 5 Adjustable Shelves and 1 Divider Shelf
- End Panels are Full Height

24" Wide Utility Cabinet, 2 Doors

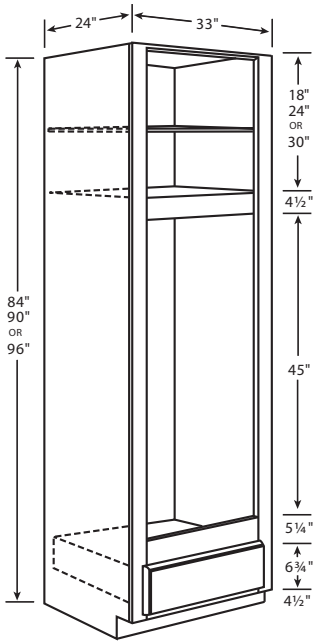


	1	2	3	4	5	6	7
P2484	1335	1,402	1,469	1,535	1,602	1,669	1,736
P2490	1453	1,526	1,598	1,671	1,744	1,816	1,889
P2496	1679	1,763	1,847	1,931	2,015	2,099	2,183

- Butt Doors on Top & Bottom
- 84" & 90" High Cabinets have 4 Adjustable Shelves and 1 Divider Shelf
- 96" High Cabinets have 5 Adjustable Shelves and 1 Divider Shelf
- End Panels are Full Height

TALL CABINETS

Double Oven Cabinet, 1 Drawer

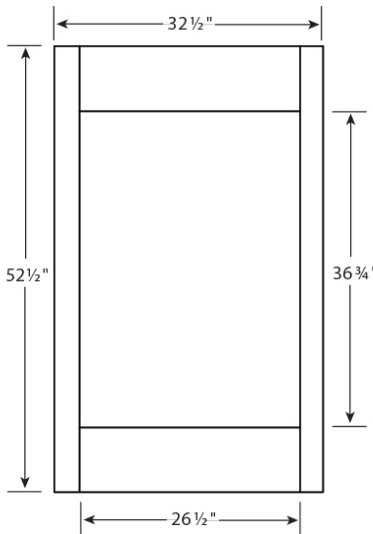


	1	2	3	4	5	6	7
OC3384D (w/ol)	1893	1,988	2,082	2,177	2,272	2,366	2,461
OC3390D (w/ol)	2317	2,433	2,549	2,665	2,780	2,896	3,012
OC3396D (w/ol)	2350	2,468	2,585	2,703	2,820	2,938	3,055

- End Panels are Full Height
- Opening is 30" W x 45" H (All Three Sizes)
- Ships with Oven Cabinet Overlay (See Below)

Oven Cabinet Overlay Panel Detail

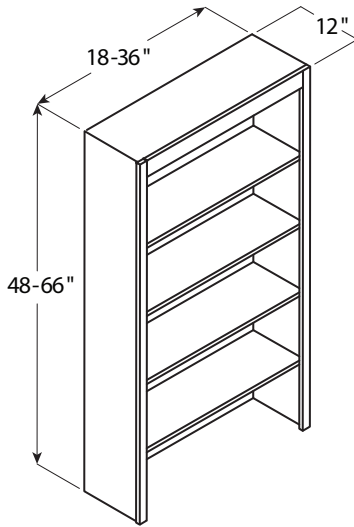
OL-OVENCAB



- Outside Edge is Profiled
- Ships with Oven Cabinets Noted "W/OL" (See Above)
- Opening is 26 1/2" W x 36 3/4" H

TALL CABINETS

Bookcases 48", 54", 60", & 66" x 18", 24", 30", 36" Wide

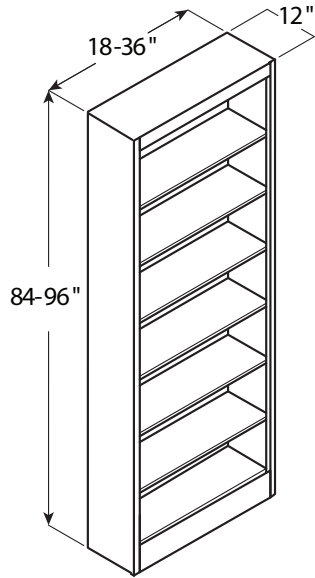


	1	2	3	4	5	6	7
BU1848S	660	693	726	759	792	825	858
BU1854S	743	780	817	854	892	929	966
BU1860S	825	866	908	949	990	1,031	1,073
BU1866S	908	953	999	1,044	1,090	1,135	1,180
BU2448S	882	926	970	1,014	1,058	1,103	1,147
BU2454S	990	1,040	1,089	1,139	1,188	1,238	1,287
BU2460S	1100	1,155	1,210	1,265	1,320	1,375	1,430
BU2466S	1210	1,271	1,331	1,392	1,452	1,513	1,573
BU3048S	1100	1,155	1,210	1,265	1,320	1,375	1,430
BU3054S	1239	1,301	1,363	1,425	1,487	1,549	1,611
BU3060S	1375	1,444	1,513	1,581	1,650	1,719	1,788
BU3066S	1513	1,589	1,664	1,740	1,816	1,891	1,967
BU3648S	1320	1,386	1,452	1,518	1,584	1,650	1,716
BU3654S	1485	1,559	1,634	1,708	1,782	1,856	1,931
BU3660S	1650	1,733	1,815	1,898	1,980	2,063	2,145
BU3666S	1815	1,906	1,997	2,087	2,178	2,269	2,360

- Bookcases are Offered Through the Modification Program and Extend Lead Time
- Finished Interior and Exterior is Standard
- Increased Depths Available in 1" increments, 18" depth maximum

TALL CABINETS

Bookcases 84", 90", & 96" x 18", 24", 30", 36" Wide

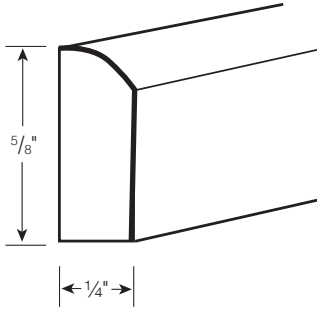


	1	2	3	4	5	6	7
BU1884S	1155	1,213	1,271	1,328	1,386	1,444	1,502
BU1890S	1239	1,301	1,363	1,425	1,487	1,549	1,611
BU1896S	1320	1,386	1,452	1,518	1,584	1,650	1,716
BU2484S	1540	1,617	1,694	1,771	1,848	1,925	2,002
BU2490S	1650	1,733	1,815	1,898	1,980	2,063	2,145
BU2496S	1760	1,848	1,936	2,024	2,112	2,200	2,288
BU3084S	1925	2,021	2,118	2,214	2,310	2,406	2,503
BU3090S	2063	2,166	2,269	2,372	2,476	2,579	2,682
BU3096S	2200	2,310	2,420	2,530	2,640	2,750	2,860
BU3684S	2309	2,424	2,540	2,655	2,771	2,886	3,002
BU3690S	2475	2,599	2,723	2,846	2,970	3,094	3,218
BU3696S	2640	2,772	2,904	3,036	3,168	3,300	3,432

- Bookcases are Offered Through the Modification Program and Extend Lead Time
- Finished Interior and Exterior is Standard
- Increased Depths Available in 1" increments, 18" depth maximum

MOULDINGS & ACCENTS

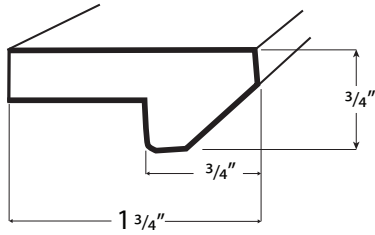
5/8" Scribe Moulding



	Stains	Paints
SM8	72	76

- 8' Long

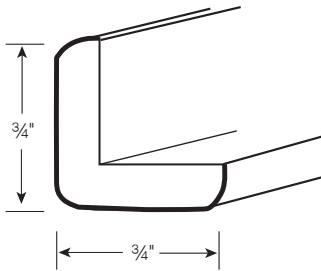
Light Rail Moulding



	Stains	Paints
LR8	99	104

- 8' Long

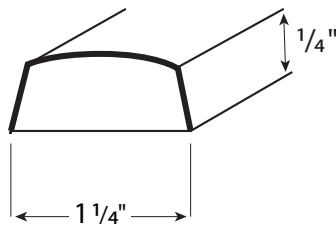
Outside Corner Moulding



	Stains	Paints
OCM8	74	78

- 8' Long

Batten Moulding



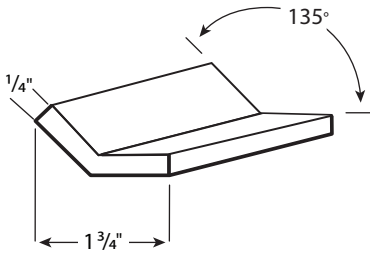
	Stains	Paints
BATTEN	95	100

- 8' Long

Bold line on drawings indicates finished sides

MOULDINGS & ACCENTS

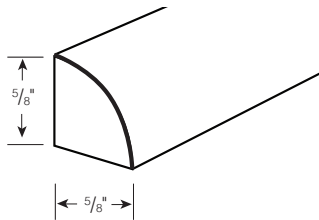
135 Outside Corner Moulding



	Stains	Paints
OCM135-8	94	99

- 8' Long

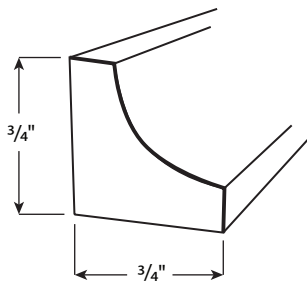
Shoe Moulding



	Stains	Paints
SHOEMLD	76	80

- 8' Long

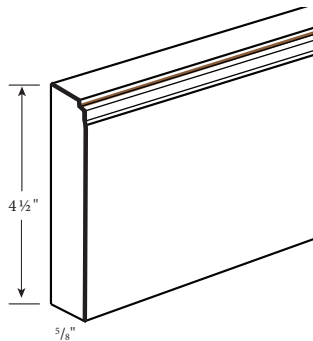
Small Cove Moulding



	Stains	Paints
COVE	79	83

- 8' Long

Base Moulding



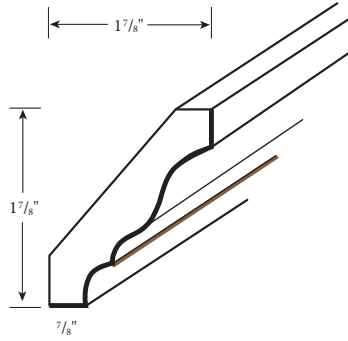
	Stains	Paints
BASEMLD	244	256

- 8' Long

Bold line on drawings indicates finished sides

MOULDINGS & ACCENTS

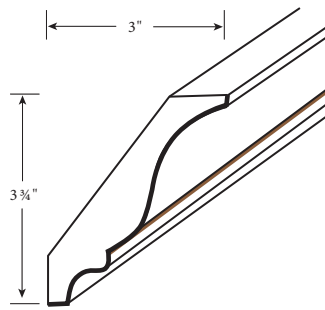
2 3/4" Crown Moulding



	Stains	Paints
CM8	166	174

- 8' Long

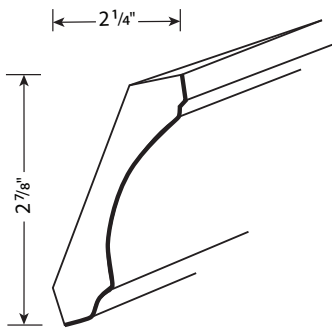
4 1/8" Large Crown Moulding



	Stains	Paints
BCM8	213	224

- 8' Long

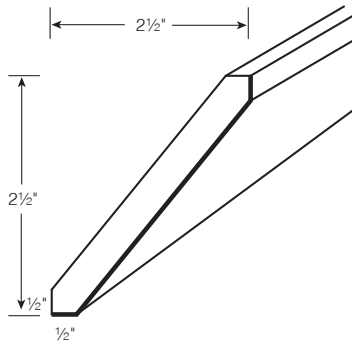
3 5/8" Large Cove Moulding



	Stains	Paints
CROWNCOVE	199	209

- 8' Long

3 1/2" Shaker Crown Moulding



	Stains	Paints
SHAKERCROWN	198	208

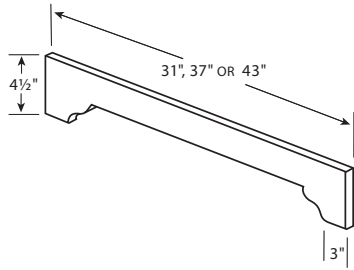
- 8' Long

- Check Stock Sheet for Availability

Bold line on drawings indicates finished sides

MOULDINGS & ACCENTS

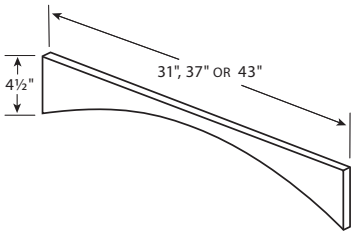
Beckony Valance



	Stains	Paints
V31D	65	68
V37D	78	82
V43D	90	95

- Discontinued, Limited Quantities

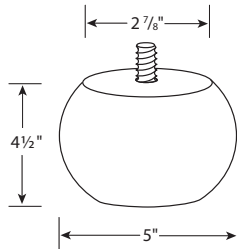
Arched Valance



	Stains	Paints
V31E	65	68
V37E	78	82
V43E	90	95

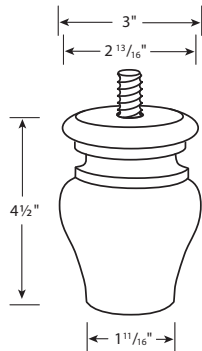
- Discontinued, Limited Quantities

Bun Foot



	Stains	Paints
BUNFOOT	74	78

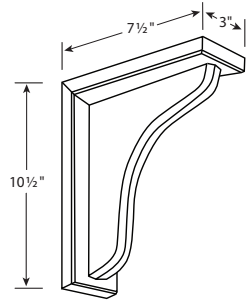
Tulip Bun Foot



	Stains	Paints
TULIPBUNFOOT	74	78

MOULDINGS & ACCENTS

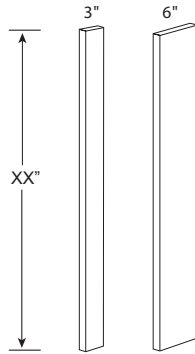
Plain Corbel



	Stains	Paints
PLCOR	86	90

- Unglazed
- Profiles May Vary Slightly from Picture

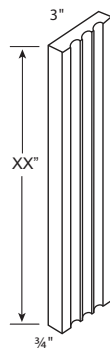
3" & 6" Fillers



	Stains	Paints
F330	59	62
F336	69	72
F342	74	78
F396	161	169
F630	99	104
F636	109	114
F642	124	130
F696	294	309

- Standard Finish Includes One Face and Two Sides
- 3/4" Thick

3" Fluted Fillers

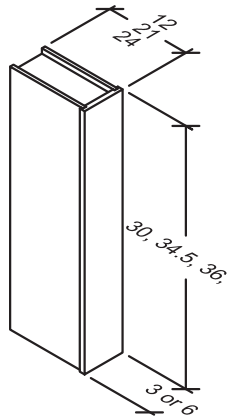


	Stains	Paints
F330F	66	69
F336F	75	79
F342F	81	85
F396F	185	194

- Discontinued, Limited Quantities
- Three Flutes Run the Length of the Filler
- Glazed Flutes on Glazed Door Styles Only
- 3/4" Thick

FILLERS & PANELS

Column Box Filler, 3" or 6" Wide

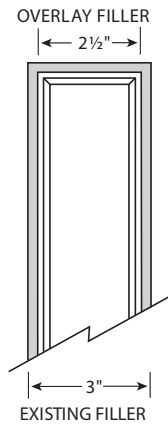


	Stains	Paints
CBF33012	399	419
CBF33412	380	399
CBF33612	396	416
CBF34212	413	434
CBF39612	549	576
CBF33021	369	387
CBF33421	385	404
CBF33621	402	422
CBF34221	418	439
CBF39621	549	576
CBF33024	374	393
CBF33424	391	411
CBF33624	407	427
CBF39624	549	576
CBF63012	380	399
CBF63412	396	416
CBF63612	407	427
CBF64212	424	445
CBF69612	549	576
CBF63021	380	399
CBF63421	402	422
CBF63621	413	434
CBF64221	429	450
CBF69621	549	576
CBF63024	385	404
CBF63424	407	427
CBF63624	418	439
CBF64224	435	457
CBF69624	549	576

- Column Boxes are Offered Through the Modification Program and Extend Lead Time
- Finished Interior and Exterior is Standard

FILLERS & PANELS

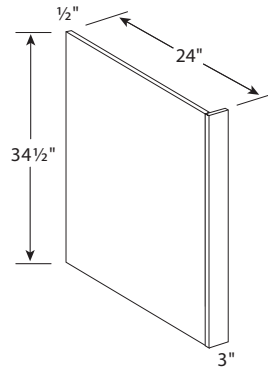
Overlay Filler



	Stains	Paints
OLF312	39	41
OLF315	41	43
OLF330	43	45
OLF336	47	49
OLF342	49	51
OLF384	98	103
OLF396	272	286

- Matches Door and Drawer Reveal

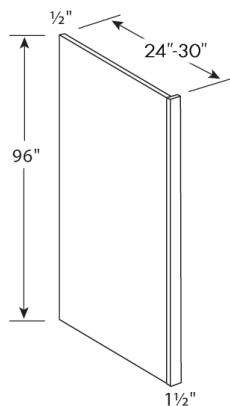
Base End Panel / Dishwasher Return



	Stains	Paints
DWR3 (Reversible)	219	230

- Front Filler Extends 1/4" on Finished Side of Panel

Refrigerator End Panel Return 1.5

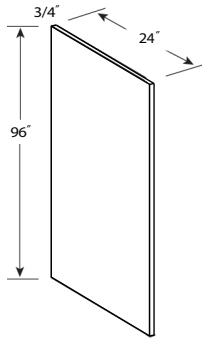


	Stains	Paints
REP1.5-24	329	345
REP1.5-30	355	373

- Front Filler Extends 1/4" on Finished Side of Panel
- End Panels are Reversible

PANELS & ACCESSORIES

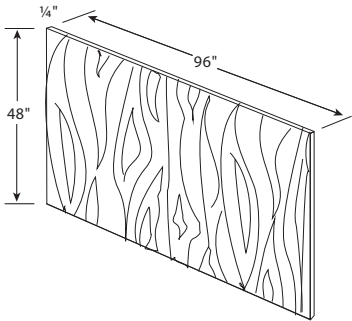
Refrigerator End Panel .75



	Stains	Paints
REP.75-24	430	452

- Edgebanded on Two, Long Edges
- Both Sides Finished

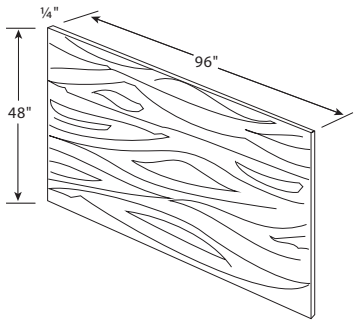
Short Grain Panel 48" x 96" x 1/4"



	Stains	Paints
BP9648SG	529	N/A

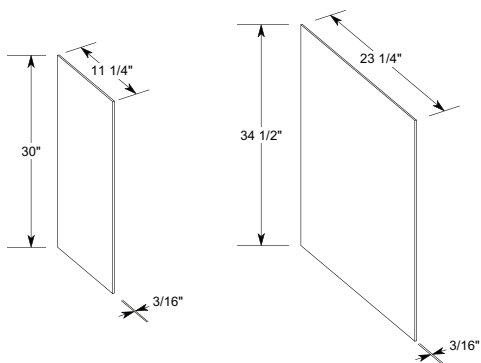
- Not Available in Painted Door Styles

Long Grain Panel 48" x 48" and 96" x 48" x 1/4"



	Stains	Paints
BP4848	370	N/A
BP4848MDF	N/A	389
BP4896LG	529	N/A
BP4896MDF	N/A	555

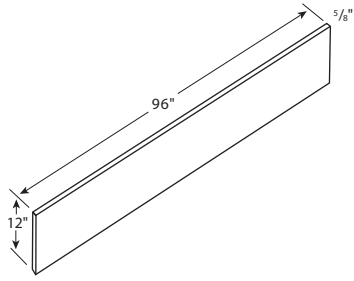
Skins (for Walls & Bases)



	Stains	Paints
SKINWALL30	94	99
SKINWALL36	118	124
SKINWALL42	129	135
SKINBASELEFT	159	167
SKINBASERIGHT	159	167
SKINTALL	281	295

ACCESSORIES

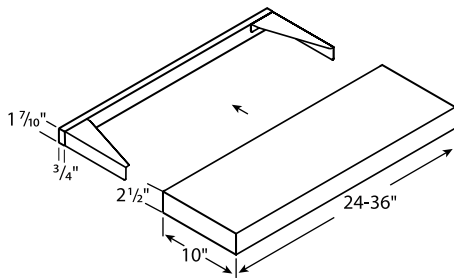
Shelf Material



	Stains	Paints
SHELF12X96	217	228

- 12" x 96" x 5/8"
- Natural Birch Veneer or Finished to Match Door Color
- One Long Edge Banded

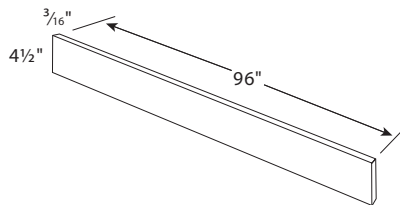
Floating Shelf



	Stains	Paints
SHEFFFLOAT24	438	460
SHEFFFLOAT30	459	482
SHEFFFLOAT36	502	527
SHEFFFLOAT42	547	574
SHEFFFLOAT48	596	626
SHEFFFLOAT54	650	683
SHEFFFLOAT60	709	744

- Comes with Installation Bracket
- Cannot be Modified

Toe Kick Cover

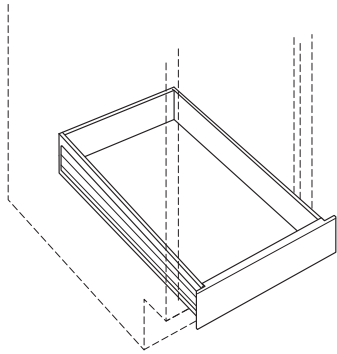


	Stains	Paints
TKS8	74	78

- 3/16" x 4 1/2" x 96" (Stain)
- 1/4" x 4 1/2" x 96" (Paint)
- 8' Long

ACCESSORIES

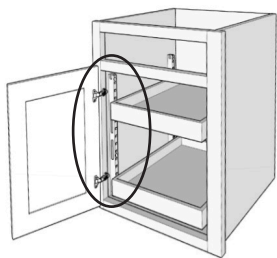
Roll Out Tray



B15ROT	279
B18ROT	287
B21ROT	294
B24ROT	303
B27ROT	308
B30ROT	318
B33ROT	326
B36ROT	333

- 4" Tall, Dovetail Drawers
- Full Extensions, Soft Close Undermount Glides
- Will Fit into Tall Units
- To be used with Pilaster Kits, sold separately
- Not Installed; Tray Ships Separately From Cabinet

Pilaster Kit for Roll Out Tray



Pilaster Kit Installed
(Roll Out Trays not included)



Pilaster




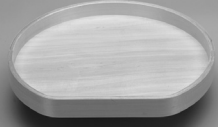





Hook
Dowel

	Stains	Paints
PILASTERKIT	95	95
PILASTERSETINSTLD	113	113

- Pilaster Kit comes with 4 Pilasters and 8 Hook Dowels
- Roll Out Tray is Sold and Ships Separately
- Order 1 Kit for a Base Cabinet and 2 Kits for Pantries

ACCESSORIES - INSTALLED

Rev-A-Shelf Accessories

Image	Lazy Susans	Description	Installs with	List Price
	LD-4BW-001-18SB-8	18" lazy daisy banded wood full circle (3 trays included)	all CW24 cabinets	867
	LD-4BW-201-20SBS-8	20" lazy daisy banded wood D-shape (3 trays included)	all CW27 cabinets	897
	LD-4BW-401-28SBS-40	28" lazy daisy banded wood kidney swivel mount (2 trays included)	ER36, ER33	658
	3072-18-11-52	18" full circle white polymer 2 tray set	CW2430	240
	3073-18-11-531	18" full circle white polymer 3 tray set w/31" lower shaft	CW2436	319
	3073-18-11-536	18" full circle white polymer 3 tray set w/36" lower shaft	CW2442	341
	3073-20-11-531	20" full circle white polymer 3 tray set w/31" lower shaft	CW2736	350

ACCESSORIES - INSTALLED



Image	Lazy Susans (continued)	Description	Installs with	List Price
	3073-20-11-536	20" full circle white polymer 3 tray set w/36" lower shaft	CW2742	371
	LD-2472-28-11-1	28" lazy daisy white polymer kidney 2 tray set	ER36, ER33	283




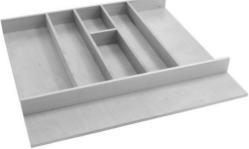
Image	Tilt-Out Trays	Description	Installs with	List Price
	LD-6572-11-11-1	11" deluxe white tilt-out trays (pair) w/45° hinges	SB33	79
	LD-6572-14-11-1	14" deluxe white tilt-out trays (pair) w/45° hinges	SB36	84

Image	Utensil Organizers	Description	Installs with	List Price
	4WUT-1SH	utensil organizer insert 18.5" x 22"	B18, B21, B24	169
	4WUT-3SH	utensil organizer insert 24" x 22"	B18, B21, B24, B27	220

ACCESSORIES - INSTALLED


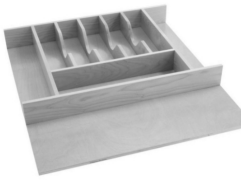
Image	Cutlery Trays	Description	Installs with	List Price
	4WCT-1SH	wood cutlery tray for 12"-18" cabinet	B12, B15, B18, B33, B36, DB12, DB15, DB18	180
	4WCT-3SH	wood cutlery tray for 21"-24" cabinet	B21, B24, B27, B39, B42, DB24	222





Image	Spice Organizers	Description	Installs with	List Price
	4SDI-18	trimmable spice organizer insert 16" x 19"	B15, B18, B21	227
	4SDI-24	trimmable spice organizer insert 22" x 19"	B21, B24, B27	249

Image	Waste Containers	Description	Installs with	List Price
	4WCTM-12DM1-21	top mount waste container - single	B15	435
	4WCTM-18DM2-18	top mount waste container - double	B18	481

Please Note: All wall and base pull-outs have ball bearing slides (not soft-close) unless otherwise noted.

ACCESSORIES - NOT INSTALLED

Rev-A-Shelf Accessories


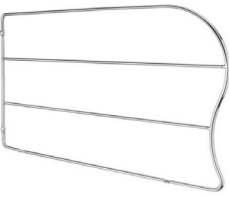
Image	Chrome Tray Dividers	Description	Installs with	List Price
	LD-597-12CR-10	12" lazy daisy chrome tray divider	universal in all base cabinets, W361824, W362424	42
	LD-597-18CR-10	18" lazy daisy chrome tray divider	universal in all base cabinets, W362424	45

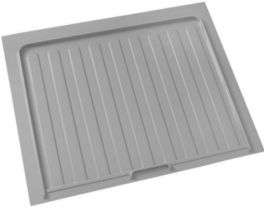



Image	Base Drip Tray	Description	Installs with	List Price
	SBDT-3336-A-1	sink base drip tray 33/36 almond <i>(will need to be cut down to fit the SB33)</i>	SB33, SB36	187

Image	Wall Filler Pull-Outs	Description	Installs with	List Price
	432-WF-3C-RR	3" wall filler pull-out w/shims 30" tall <i>(filler not included)</i>	all 3" wall fillers	502
	432-WF36-3C-RR	3" wall filler pull-out w/shims 36" tall <i>(filler not included)</i>	all 3" wall fillers	539
	432-WF42-3C-RR	3" wall filler pull-out w/shims 42" tall <i>(filler not included)</i>	all 3" wall fillers	572

Please Note: All wall and base pull-outs have ball bearing slides (not soft-close) unless otherwise noted.

ACCESSORIES - NOT INSTALLED






Image	Wall Filler Pull-Outs	Description	Installs with	List Price
	432-WF-6C-RR	6" wall filler pull-out w/shims 30" tall <i>(filler not included)</i>	all 6" wall fillers	512
	432-WF-36-6C-RR	6" wall filler pull-out w/shims 36" tall <i>(filler not included)</i>	all 6" wall fillers	655
	432-WF42-6C-RR	6" wall filler pull-out w/shims 42" tall <i>(filler not included)</i>	all 6" wall fillers	632

Image	Base Filler Pull-Outs	Description	Installs with	List Price
	432-BF-3C-RR	3" base filler pull-out w/shims 30" tall <i>(filler not included)</i>	all 3" base fillers	553
	432-BF-6C-RR	6" base filler pull-out w/shims 30" tall <i>(filler not included)</i>	all 6" base fillers	673

Please Note: All wall and base pull-outs have ball bearing slides (not soft-close) unless otherwise noted.

ACCESSORIES - NOT INSTALLED











Image	Base Organizers (cont.)	Description	Installs with	List Price
	448-BC-5C-28	5" base organizer pull-out with adjustable shelves	B9	590
	447-BCSC-5C	5" base organizer pull-out with tray divider, soft close	B9	590

Image	Repair Items	Description	List Price
	TOUCHUPKITXX	Touch-Up Kit includes: (1) Fil-Stik which is a semi-hard putty in stick form and (1) color match marker (available in all paint colors and stains, except Natural)	53
	BLENDER-SPRAY	Blender spray is designed for blending spray lines, blending overspray and blending minor surface scratches on C.A.B. lacquer finishes.	43
	TOPCOAT - SPRAY	Top Coat is a 25 sheen acrylic clear coat and is applied over Spray Paint repairs.	47
	SPRAYPAINTXX	Spray Paint is applied over Hard Fill repairs to create a seamless finish. (available in all paint colors)	83

Please Note: All wall and base pull-outs have ball bearing slides (not soft-close) unless otherwise noted.

ACCESSORIES - NOT INSTALLED

Image	Repair Items (cont.)	Description	List Price
	<p>HARD-FILL-STICKXX</p>	<p>Hard Fill Sticks require a Burn-In Knife (sold separately) to melt the product and fill defects, dents, scratches and nicks in cabinetry.</p> <p>(available in all paint colors)</p>	<p>60</p>
	<p>BURNINKNIFE</p>	<p>Burn-In Knife is used to heat and melt the Hard Fill Stick onto the repair site of the cabinetry.</p>	<p>130</p>
	<p>HARDFILLTOOL</p>	<p>Hard Fill Tool is designed to level the Hard Fill product on the repair area of the cabinetry.</p>	<p>67</p>
	<p>REPAIRKIT</p>	<p>Repair Kit includes: (1) Burn-in Knife, (1) set of Hard Fill Sticks in all seven paint colors, (1) Hard Fill Tool, and sandpaper</p>	<p>750</p>

Osborne Wood Products Program

RiverRun Cabinetry will finish **paint grade Soft Maple (for paint)** and **Russian Birch (for stain)** items to match your RiverRun Cabinets.

Please follow instructions closely.

1. Visit OsborneWood.com and add your selected items to your cart.
2. At Checkout, complete the "Shipping & Billing" address page as shown below:

Shipping & Billing Address
▲

Shipping Address	Billing Address
Company Name: <input type="text" value="RiverRun Cabinetry"/>	Company Name: <input type="text"/>
First Name: <input type="text" value="Your RiverRun Order #"/>	First Name: <input type="text"/> <small>* First Name required.</small>
Last Name: <input type="text" value="Your Business Name"/>	Last Name: <input type="text"/> <small>* Last Name required.</small>
Phone Number: <input type="text" value="540-438-5973"/>	Phone Number: <input type="text"/> <small>* Phone Number required.</small>
Email Address: <input type="text" value="CustomerService@RiverRunCabinetry.com"/> <small>* Email required.</small>	Order Confirmation Email: <input type="text"/>
Street 1: <input type="text" value="4660 Early Road"/>	Street 1: <input type="text"/> <small>* Street 1 required.</small>
Street 2: <input type="text"/>	Street 2: <input type="text"/>
Country: <input style="border: none; background-color: #eee; width: 100%;" type="text" value="U.S.A."/>	Country: <input style="border: none; background-color: #eee; width: 100%;" type="text" value="U.S.A."/>
State: <input style="border: none; background-color: #eee; width: 100%;" type="text" value="Virginia"/>	State: <input style="border: none; background-color: #eee; width: 100%;" type="text" value="Virginia"/>
City: <input type="text" value="MT CRAWFORD"/>	City: <input type="text"/> <small>* City required.</small>
Zip Code: <input type="text" value="22841"/>	Zip Code: <input type="text"/> <small>* Zip Code required.</small>
<input type="checkbox"/> Same As Shipping Address	

Proceed to Shipping and Payment

3. We will receive your package, unpack, inspect for damage, finish the same color as your RiverRun order number indicated on your referenced order.
4. RiverRun will re-pack your finished products and ship them to you.

Please Note:

- You must order and pay for the items with Osborne Wood Products.
- You must select **paint grade Soft Maple** (for paints) or **Russian Birch** (for stains) for wood species.
- If we do not receive your products within ample time for finishing, we will charge a delivery fee to FedEx or Cycle Ship your Osborne Wood Product items to you.
- Must be accompanied with a minimum 5 cabinet order.

Costs for Finishing (Net Prices):

- Island Legs, Posts, Split Posts up to 5" wide, 42" tall \$100
- Corbels, Shelf supports up to 5" wide, 16" tall \$55
- Larger items up to 60" wide, 42" tall, 24" deep \$225
- Hoods, larger than 60" wide, 42" tall \$15 per square foot or \$275 (whichever is greater)



REPLACEMENT FORM

DEALER CONTACT INFO:

Email this form to **damages@riverruncabinetry.com** and photo(s) of the damage. Once we receive the completed form and photos, we will begin processing your replacement order.

Dealer Name: _____ Contact: _____

Contact Email: _____ Contact Phone: _____

DAMAGE/WARRANTY INFO:

Is this a damage or warranty replacement? Damage* Warranty**

Was the damage noted on the Bill of Lading? Yes No

SALES ORDER NUMBER: _____ DATE: _____

ITEM/SKU/DOOR STYLE	PART NEEDED	QUANTITY OF PARTS NEEDED	DESCRIPTION OF ISSUE †

† **Choose from one of the following:** Dent (Molding, Doors, Panels), Nicked, Corner Damage, Scratches/Rub Marks, Cracked Doors/Face Frames, Sanding Dips, Shipping Damage, Poor Repair, Out Of Square, Warped, Over/Under Sized, Shelf Clip Holes Missing/Wrong, Grooves Off Location, Open Tennon Joint, Glue Seam Separated, Parts Out of Spec, Dirt in Finish, Bubbles In Top Coat, Paint Chipping, Color Out Of Spec, Halos, Rough Edges, Orange Peel, Shipped Wrong Item, Missing from Shipment, Mislabeled Item, Handling issues, Hinge issues, Multiple issues

REPLACEMENT SHIP TO INFO: Where should we send your replacement item(s)?

SHIPPING ADDRESS: _____

CITY: _____ ST: _____ ZIP: _____

Please Check All that Apply: Delivery Notification Lift Gate Services Residential/Limited Access Area

* **DAMAGED ITEMS:** Do not assemble (if unassembled), install, use, destroy, or discard damaged item(s) as they are property of the freight carrier. Damaged item(s) must be available for the shipping company to retrieve. If the carrier is unable to reclaim the part, you will be charged for the replacement item.

** **WARRANTY ITEMS:** This warranty is expressly limited to the repair or replacement of the defective component parts at our discretion. Our liability is expressly limited to the cost of the material for the repair or replacement of defective goods. PLEASE REVIEW THE WARRANTY information in this sales binder or on our website: www.riverruncabinetry.com.



SHOWROOM DISPLAY PROGRAM & AGREEMENT

We are pleased to offer you 50% off on showroom displays!

The following details the eligibility requirements:

- Displays are to be in a primary retail showroom space.
- Displays are to be a representation of the product as a kitchen (6 cabinets in the same style).
- Display must be installed within 30 days of delivery.
- Display must be used as a showroom display for a minimum of 12 months.

Customer Service will review the display order once it is submitted. They will have final approval over whether orders qualify as displays and if they receive the display discount.

- This program does not include sales aids or vanities as stand alone displays.
- Modifications can be made to these cabinets, however modification prices are not discounted.
- Standard freight charges apply.

I agree to the RiverRun Showroom Display rules and guidelines,

DEALER SIGNATURE

DATE

DISPLAY INVOICE NUMBER

Please email this form along with your display order to: Order@RiverRunCabinetry.com



EMAIL REGISTRATION

Dealer Code: _____

Select One: New Update Cancel

Complete this form to register your email address with RiverRun Cabinetry. Once your email is registered, you will be set up to send/receive orders electronically via email.

All your order communication - submitting orders/expedites, receiving acknowledgements and making revisions - is via one order entry email address: Order@RiverRunCabinetry.com (Warranty emails should be sent to a separate email address: Damages@RiverRunCabinetry.com)

Program Details

- One registering your email with RiverRun, all order communication must be emailed in.
- One email address per designer/salesperson. Orders may be submitted only via your registered email. Acknowledgements will be returned to the same registered email address.
- Expedites and revisions must also be submitted via email to: Order@RiverRunCabinetry.com
- Warranties should be submitted via email to: Damages@RiverRunCabinetry.com
- Please keep your email address current. Use this form to inform RiverRun of an email address change or to remove an email address from our system.
- Privacy: RiverRun will on occasion use your email to communicate promotions and updates, but will never share your email with outside vendors.

DEALER NAME: _____

ADDRESS: _____

CITY, STATE, ZIP: _____

PHONE: _____

GENERAL DEALERSHIP EMAIL (promos, price updates, etc.)

EMAIL: _____

DESIGNER NAME: _____

EMAIL: _____

DESIGNER NAME: _____

EMAIL: _____

DESIGNER NAME: _____

EMAIL: _____

