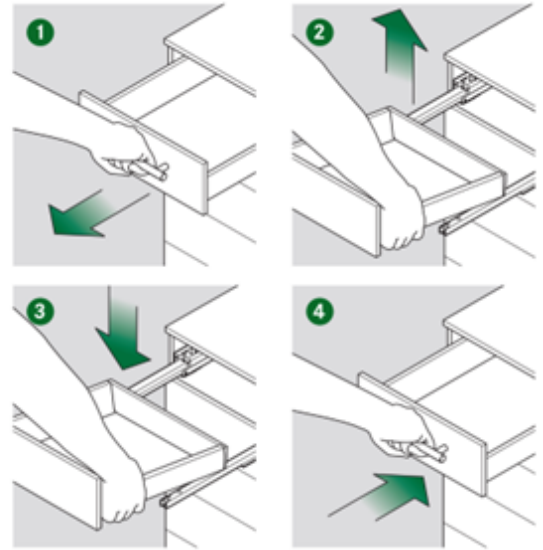
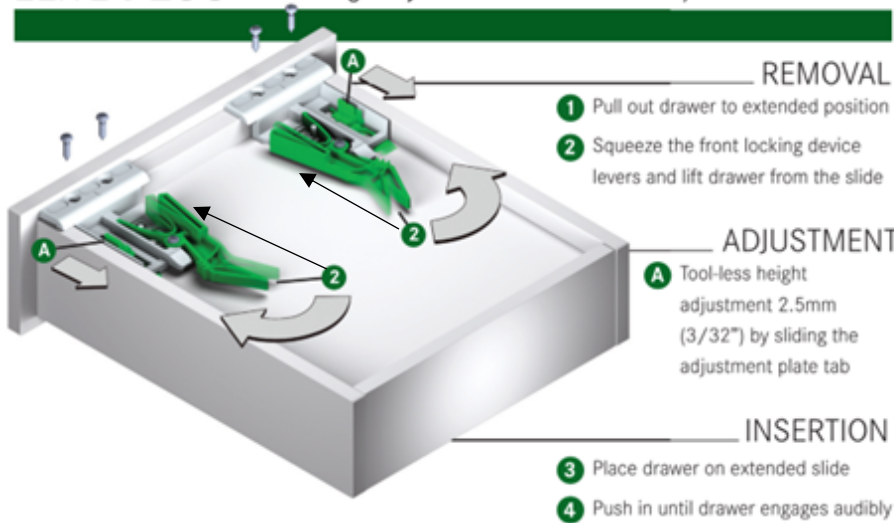
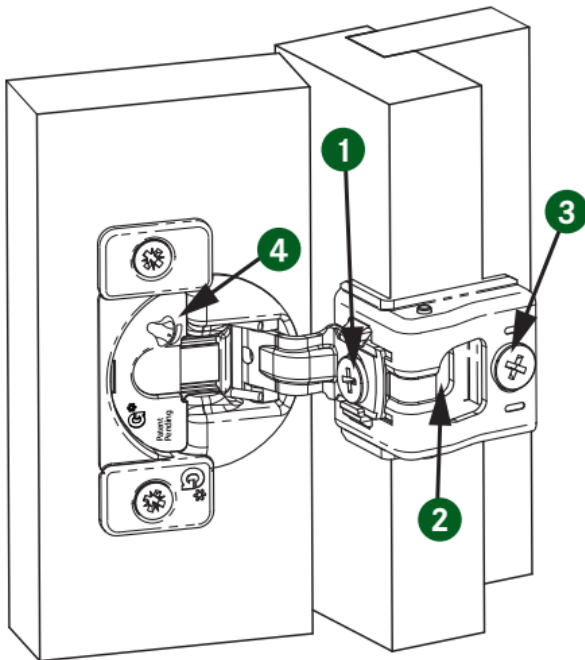


ELITE PLUS

Height Adjustment and Drawer Removal/Insertion Instructions

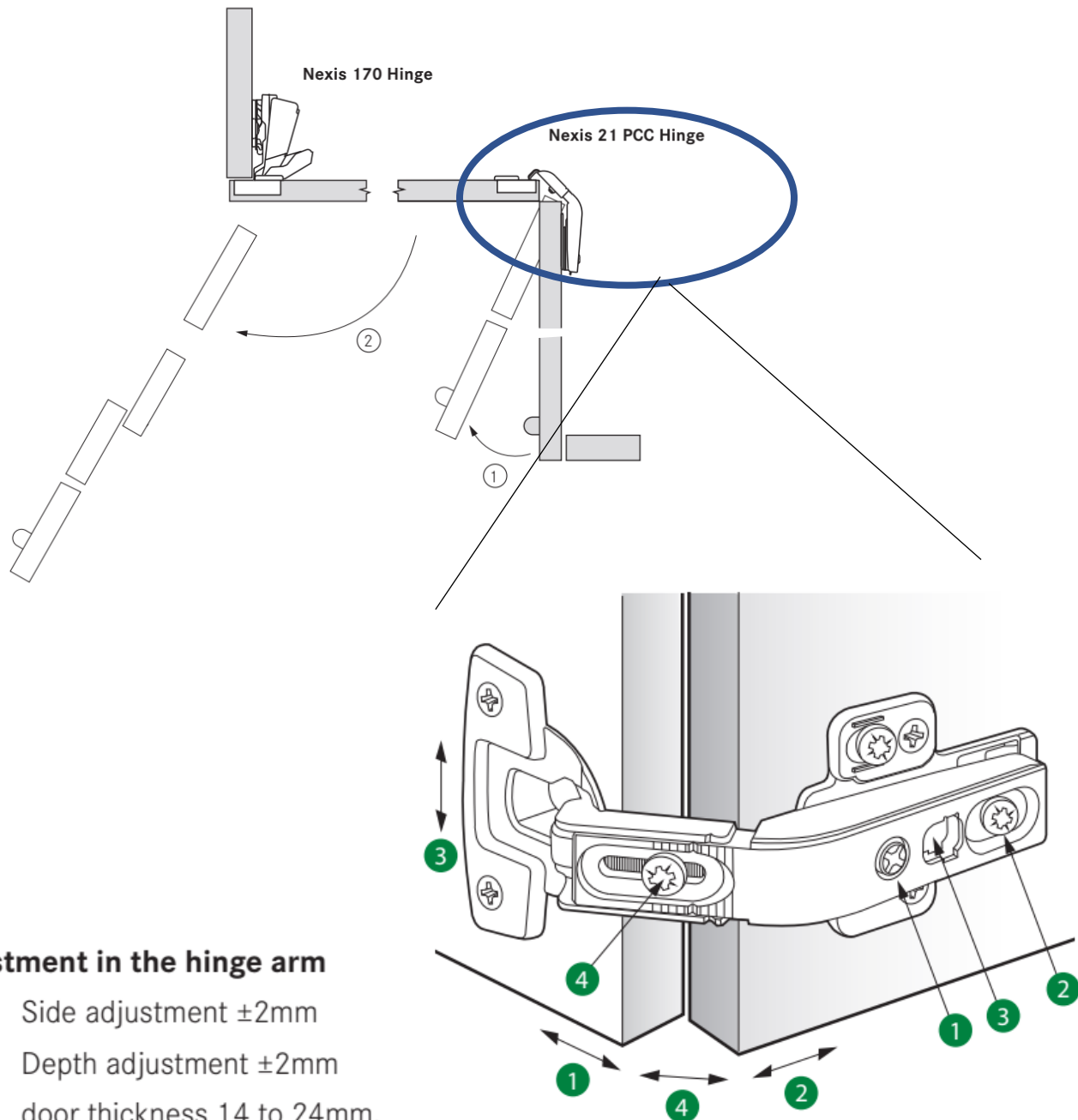


TEC 864 Soft-close



- 1 **Side Adjustment** +/-1.5mm (1/16")
Rotate cam adjustment screw.
- 2 **Height Adjustment** +/-2mm (3/32")
Loosen screw, align door, tighten screw.
- 3 **Depth Adjustment** +3mm (1/8")
Rotate cam screw.
- 4 **Soft-close Tension**
Light, Medium, and Strong setting

Nexis 21 PCC



Adjustment in the hinge arm

1. Side adjustment $\pm 2\text{mm}$
2. Depth adjustment $\pm 2\text{mm}$
4. door thickness 14 to 24mm,
factory setting 19mm

Adjustment via base plate

3. Height adjustment $\pm 2\text{mm}$