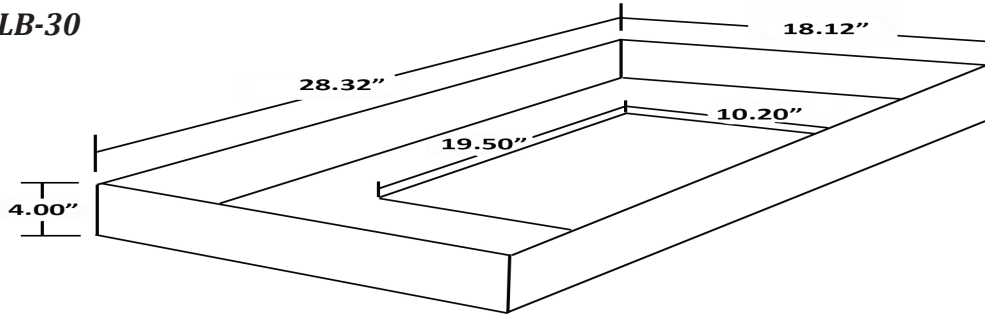


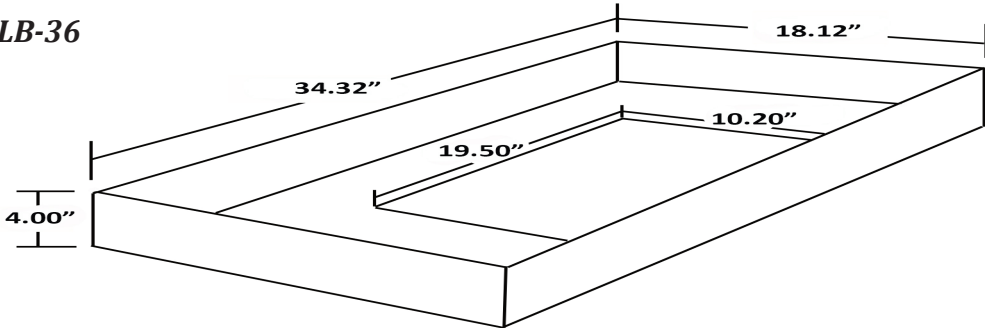
Rectangular Steel Hood Liners



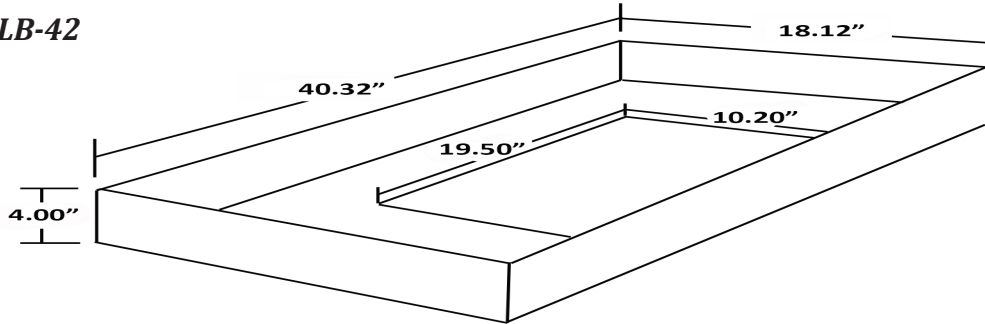
SY-HLB-30



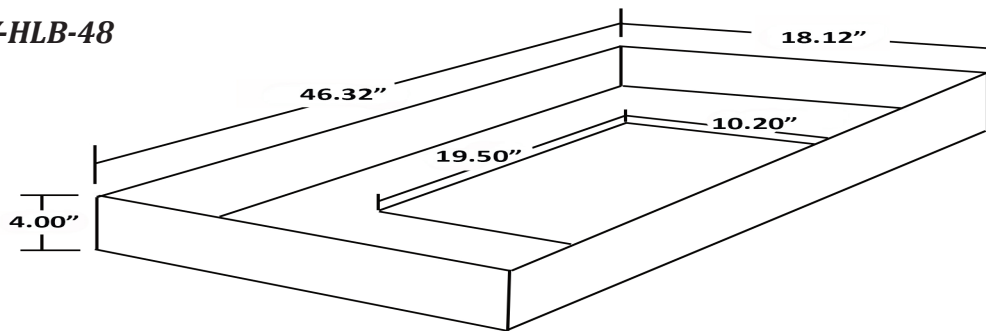
SY-HLB-36



SY-HLB-42



SY-HLB-48



Item #	Dimensions (h) x (w) x (d)
SY-HLB-30	4" x 28-21/64" x 18-1/8"
SY-HLB-36	4" x 34-21/64" x 18-1/8"
SY-HLB-42	4" x 40-21/64" x 18-1/8"
SY-HLB-48	4" x 46-21/64" x 18-1/8"

- Cold Rolled Steel Construction
- Silver Metallic powder coated finish
- For use in all full Chimney and Mantel style range hood configurations
- Accepts ventilation units
- SY-HV-250SM
- SY-HV-390SM
- SY-HV-500SS

