

400 CFM Ventilator Power Pack



BROAN®

Power Pack PM SERIES

SY-HV-400SS

The PM400SS built-in powerpack insert offers you a custom appearance while protecting cabinetry with stainless steel liners. Featuring a smooth, stainless steel surface that is easy to clean with quick-release dishwasher-safe filter. The bright LED lighting enhances your cooking experience.

SIZE	STAINLESS	GREASE FILTER (replacement)	NON-DUCTED FILTERS
21-3/8 in.	PM400SS	S99010400 (Aluminum)	S99010464 (Charcoal)

HVI PERFORMANCE									
Duct Orientation	Size	Damper	Sones			CFM			
			Normal	Medium*	High	Normal	Medium*	High 0.25 in. w.g.	High 0.1 in. w.g.
Vertical - Rectangular	3¼ x 10 in.	Included	1.0	3.0	6.0	130	210	380	400
Horizontal - Rectangular	3¼ x 10 in.	Included	1.0	3.0	5.5	120	220	370	400
Round - Vertical	6 in.	Included	1.0	2.0	6.0	120	210	370	390

FEATURES	
Max. Blower CFM**	450
Control type	3-Speed Rotary Switch
Delay off	no
Filter Clean Reminder	no
Heat Sentry™	yes
ADA Capable	no
Lighting	1-level LED (2 LED modules included)
Grease Filter	Micromesh (Qty. 1)
Installation Hardware	Included
ENERGY STAR®	yes
Recirculation	Non-ducted kit sold separately

AC INPUT	
120 V, 60 Hz - 2.3 AMPS	

OPTIONAL ACCESSORIES	
Stainless Steel Liners	LB30SS, LB36SS
Non Duct Kit	HARKPM21
Power Cord Kit	HCK44 (U.S.A. only)
Hybrid Baffle Filter	HPFBN1
Make-up Air Dampers	MD6TU, MD8TU and MD10TU

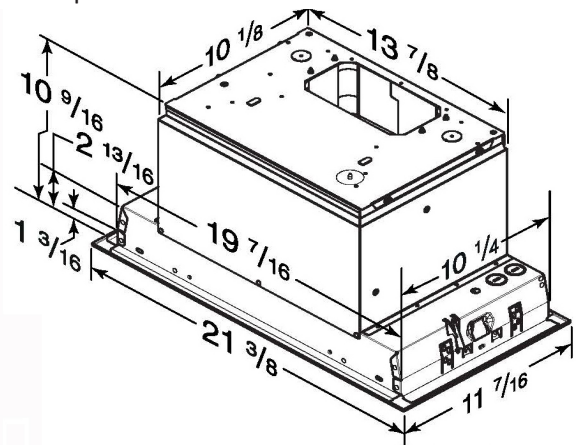
MOUNTING HEIGHT	
24 in. to 30 in. from cooktop to bottom of hood	

LIMITED WARRANTY	
1-year	

FOR INDOOR USE ONLY



- Will accommodate ranges with up to 40,000 BTU output



Dimensions shown in inches.



Can be used to comply with LEED requirements.

