



# TABLE OF CONTENTS

*RiverRun Cabinetry*

## *General Info* GENERAL INFORMATION

- **Team Directory** ..... GI-1
- **Getting Started** ..... GI-3
  - New Account Set-Up ..... GI-3
  - Dealer Site Registration ..... GI-3
  - Online Order Site Access ..... GI-3
  - Customer Service Contact Information ..... GI-3
- **Step-By-Step Order Process** ..... GI-4
- **Placing Orders**
  - Online Ordering ..... GI-5
  - Emailing 2020 Design (KIT) Files ..... GI-5
  - Design Software Options ..... GI-5
  - Expedited Orders ..... GI-5
  - Cancellation Policy ..... GI-6
  - Return Checks Policy ..... GI-6
- **Shipping Program Information**
  - Cycle Ship Program ..... GI-7
  - Calculating Freight Costs (LTL / Non-Cycle Ship) ..... GI-7
  - Shipping Address Changes ..... GI-7
  - Registering New Ship To Locations ..... GI-8
  - Carriers ..... GI-8
  - Pick Ups ..... GI-8
  - Missed Deliveries ..... GI-8
  - Missing Item From Delivery/Shipment ..... GI-8
- **Damages & Warranties Replacement Program** ..... GI-9
- **Five Year Limited Warranty** ..... GI-10

## *Specs & Finishes* CABINET SPECS & FINISHES

- **General Product Notes** ..... SF-1
- **Standard Materials and Construction Information** ..... SF-2
- **Wall Cabinet Construction** ..... SF-3
- **Base Cabinet Construction** ..... SF-4

*(continued on next page)*

**CABINET SPECS & FINISHES** *(continued)*

- **Door Styles & Finishes Availability** .....SF-5
  - Cambridge Doors .....SF-6
  - Jefferson Doors .....SF-7
  - Dalton Doors .....SF-8
  - Parkview Doors .....SF-9
  - Hampton Door .....SF-10
- **Door Sizes** ..... SF11 - 13
- **Drawer Front Sizes** .....SF-14

*Custom Mods*  
**CUSTOM MODIFICATIONS**

- **Modification Descriptions & Images** .....CM1 - 6
  - Reduced Depth (RD) ..... CM-1
  - Increased Depth (ID) ..... CM-1
  - Recess Toe Kick on Right or Left or Back (BTKR or L or B) ..... CM-1
  - Recess Toe Kick on Right and Left (BTKRL)..... CM-1
  - Toe Kick Removed (BTKN) ..... CM-2
  - Add Toe Kick to Wall with Toe Kick Space at Front Only (WTKF) ..... CM-2
  - Add Toe Kick to Wall with Toe Kick Space to Right or Left (WTKR or L) ..... CM-2
  - Add Toe Kick to Wall with Toe Kick Space to Right and Left (WTKRL)..... CM-2
  - Add Toe Kick to Wall with Toe Kick Space to Front and Right or Left (WTKFR or L)..... CM-2
  - Add Toe Kick to Wall with Toe Kick Space to Front, Right and Left (WTKFRL) ..... CM-3
  - Tri-Pack: Face Frame, Drawer Front and Door Only (TP) ..... CM-3
  - Box Only (BO)..... CM-3
  - No Fronts (NOFRONTS)..... CM-3
  - Finished Interior (FI) ..... CM-3
  - Finished Interior Tall (FIT) ..... CM-4
  - Pipe Chase Cut-Out on Right or Left Corner (PCR or L) ..... CM-4
  - Pipe Chase Cut-Out on Middle (PCM) ..... CM-4
  - Install Extended Stile on Right or Left (ESR or L) ..... CM-4
  - Install Extended Stile on Right and Left (ESRL) ..... CM-4
  - Peninsula Cabinet (PN) ..... CM-5
  - Wall End Panels (WEP) & Base End Panels (BEP) Factory Installed ..... CM-5
  - Install Full Depth Shelf (FDS) ..... CM-5
  - Prep For Glass (PG) ..... CM-5
  - Reversed Base Cabinet Drawer (BD) ..... CM-6
  - Finished Ends ..... CM-6
  - Convert 2 Drawers to 1 Drawer (IDRW) ..... CM-6
  - Sink Base (SB) ..... CM-6
- **Summary Modifications & List Prices** .....CM7 - 8

*(continued on next page)*

*Walls*  
**WALL CABINETS**

- Wall Cabinets ..... W1 - 6
- Corner Wall Cabinets ..... W7 - 9
- Blind Wall Cabinets ..... W10 - 11
- Specialty Wall Cabinets ..... W12 - 16
- Quarter Round Cabinets ..... W-12
- Microwave Wall Cabinets ..... W13
- Appliance Garage Cabinets ..... W13 - 14
- Wine Racks and Cubbies ..... W-14
- Wall Organizers ..... W-14
- Floating Shelves ..... W-15
- Wall End Panels ..... W-15
- Wall End Panel Kits & Doors ..... W-15
- Mullion Doors ..... W-16

*Bases*  
**BASE CABINETS**

- Base Cabinets ..... B1 - 2
- Sink Base Cabinets ..... B2 - 3
- Easy Reach Cabinets ..... B-4
- Blind Base Cabinets ..... B-5
- Specialty Base Cabinets ..... B-6 - 8
- Base Microwave Cabinet ..... B-6
- Drawer Base Cabinets ..... B-6 - 7
- Transitional Angled Base Cabinet ..... B-7
- Window Seat Base Cabinets ..... B-7
- Base End Panel Door ..... B-8
- Base End Panel Kit ..... B-8
- File Drawer ..... B-8
- Vanity Lap Drawer ..... B-8

*Vanities*  
**VANITY CABINETS**

- Vanity Base Cabinets ..... V1 - 3

*Talls*  
**TALL CABINETS**

- Utility Cabinets ..... T-1
- Double Oven Cabinet ..... T-2
- Bookcases ..... T3 - 4

*(continued on next page)*

## Accessories

### ACCESSORIES

- Mouldings & Accents - Decorative Accents ..... A1 - 2
- Crown Mouldings ..... A-3
- Mouldings & Accents - Decorative Accents ..... A4 - 5
- Fillers ..... A5 - 7
- Panels & Skins ..... A7 - 8
- Shelving ..... A-9
- Toe Kick Cover ..... A-9
- Roll Out Trays ..... A-10
- Pilaster Kits ..... A-10
- Hoods ..... A-11
- **Accessories - Installed** ..... A12 - 15
  - Lazy Susans ..... A12 - 13
  - Tilt Out Trays ..... A-13
  - Utensil Organizers & Cutlery Trays ..... A13 - 14
  - Spice Organizers ..... A-14
  - Waster Containers ..... A-15
  - Base Organizers ..... A15-16
  - Mixer Lift ..... A-16
- **Accessories - Not Installed** ..... A15 - 18
  - Base Drip Tray ..... A-17
  - Wall Filler Pull-Outs ..... A17 - 18
  - Base Filler Pull-Outs ..... A-18
  - Base Organizers & Accessories ..... A19 - 20
  - Chrome Tray Dividers ..... A-20
  - Repair Items ..... A21 - 22
- **Finishing Program** ..... A-23
- **Osborne Wood Products Program** ..... A-24

## Forms

### FORMS

- Email Registration ..... F-1
- Custom Quote Form ..... F-2





## TEAM DIRECTORY

### GENERAL INFORMATION

<u>NAME</u>	<u>TITLE/RESPONSIBILITY</u>	<u>EXT</u>	<u>EMAIL</u>
Customer Service.....	General Inquiries .....	540-438-5973 ...	CustomerService@RiverRunCabinetry.com
Order Inquiries .....	(for items not on Online Order Site) .....		Order@RiverRunCabinetry.com
2020 Kit File Order .....	Submitting 2020 KIT files/orders .....		2020Order@RiverRunCabinetry.com

### CUSTOMER SERVICE

Dwight Blakey.....	Customer Service Manager .....	430 .....	DBlakey@ClassicDistribution.us
Anne Arehart .....	Customer Service Rep .....	452 .....	AArehart@RiverRunCabinetry.com
Kimberly Goodman .....	Customer Service Rep .....	463 .....	KGoodman@RiverRunCabinetry.com

### SHIPPING & PRODUCTION

Jim Miller .....	Shipping Dispatch.....	323 .....	JMiller@ClassicDistribution.us
Tommy Miller.....	Production Manager.....	455 .....	TMiller@ClassicDistribution.us

### ACCOUNTING

Carrie Comer .....	Sr. Accountant.....	453 .....	CComer@ClassicDistribution.us
Ramona "Mona" Moyers.....	Jr. Accountant (AR/AP).....	444 .....	RMoyers@ClassicDistribution.us

### SALES & MARKETING

Jeff Diener .....	National Sales Manager.....	100 .....	JDiener@RiverRunCabinetry.com
Carol Swinehart .....	Marketing Manager .....	433 .....	CSwinehart@ClassicDistribution.us





## GETTING STARTED

---

*RiverRun Cabinetry*

### NEW ACCOUNT SET-UP

- Once your dealer application has been reviewed and approved, you will receive an email notification providing instructions for logging into our Online Order Site and registering for the Dealer site.
- **Please Note:** The Online Order site is different than the Dealer site with different logins and web addresses. (See below)

### DEALER SITE - [www.riverruncabinetry.com/dealer-login](https://www.riverruncabinetry.com/dealer-login)

- The Dealer site is where you will access the current 2020 Design catalog, the SpecBook, previous email notifications, promotions, etc.
- Once your account has been approved and you receive your Welcome Email, you can register for the Dealer Site. This is where you can access the SpecBook along with other useful sales aids, 2020 Design Catalog, promotions, etc. To register...
  - Visit <https://www.riverruncabinetry.com/dealer-login/>  
Go to, "Are you a new RiverRun Dealer? Register for the RiverRun Dealer Website here."
  - Complete the registration form. You can register multiple user names and passwords for your company as long as each person uses a different email address.
  - Your account/registration form will need to be approved by RiverRun before accessing the Dealer site. Once approved, you will receive an email stating that your account has been approved and you can now access the Dealer site.
  - Once activated, use your user name and password to login:  
<https://www.riverruncabinetry.com/dealer-login/>

### ONLINE ORDER SITE - [orders.riverruncabinetry.com](https://orders.riverruncabinetry.com)

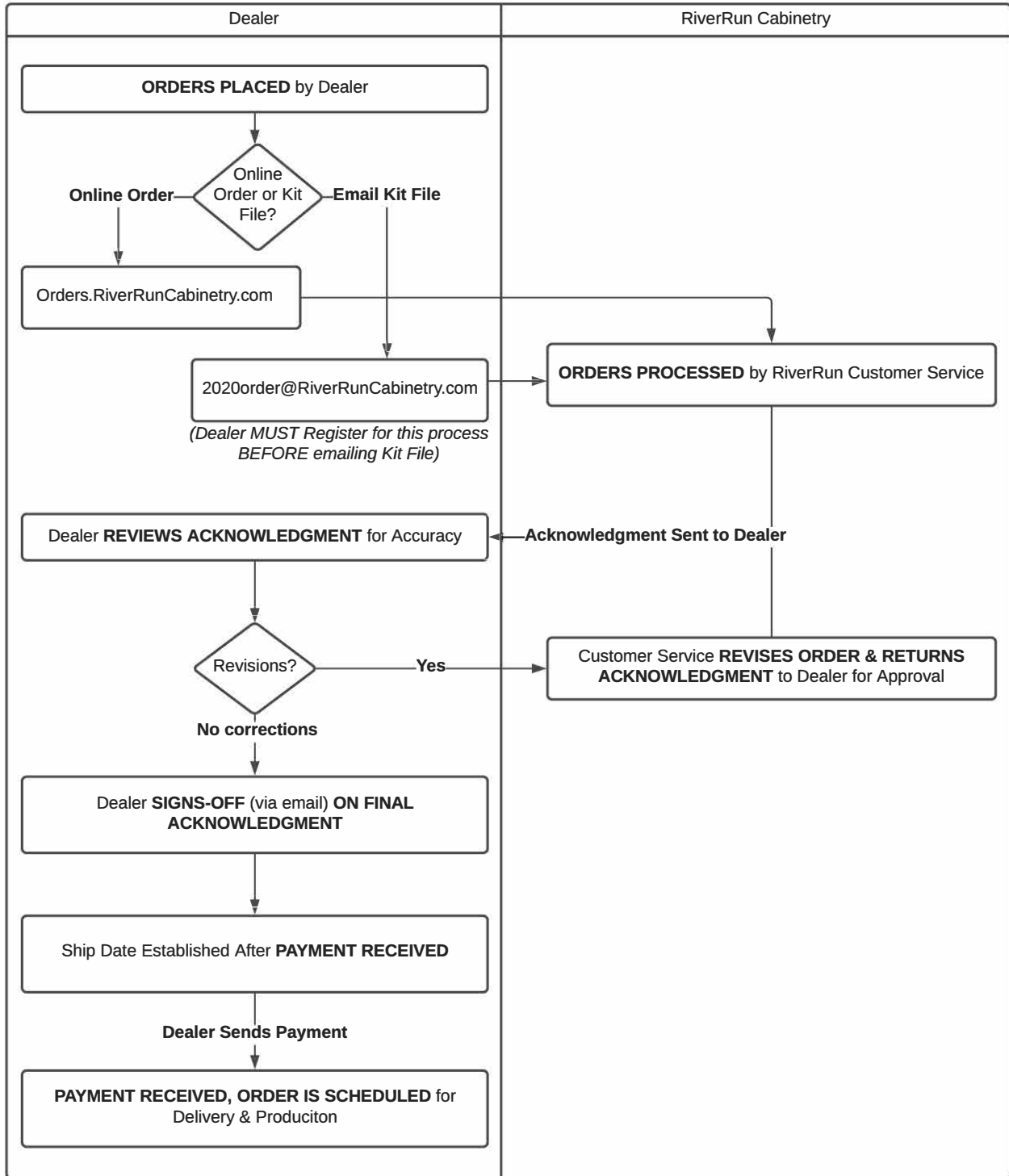
- The Online Order site is where you will create quotes and submit orders.
- Once your dealer application has been approved, you will receive a Welcome Email with your Dealer Code to log into the Online Order Site.
- You must click the "Register Here" link and complete the form with your Dealer Code before logging into the Online Order site for the first time.
- See the ORDER PROCESS section of the binder for additional information about placing orders and using this site.

### CUSTOMER SERVICE CONTACT INFO:

**Phone:** 540-438-5973

**Email:** [CustomerService@RiverRunCabinetry.com](mailto:CustomerService@RiverRunCabinetry.com)

## STEP-BY-STEP ORDER PROCESS





# PLACING ORDERS

---

*RiverRun Cabinetry*

## ONLINE ORDERING

- Visit: [orders.riverruncabinetry.com](https://orders.riverruncabinetry.com)
- Our Online Order Site was launched in early Sept. 2021, to work seamlessly with our new ERP system, 2020 Insight, and the 2020 Design software.
- First time users of the new site, **MUST** click “register here” before logging in. Old accounts from the previous site will not work. Your DEALER CODE is needed to complete the registration form. (The Dealer Code is the Username from the old Online Order site and was emailed to the dealer when the account was originally set up.) Contact Customer Service if you do not have your Dealer Code.
- A *Quick Start Reference Guide* (PDF), located on the Dealer site, is a helpful tool to guide you through the new Online Order site.

## EMAILING 2020 DESIGN (KIT) FILES

- Dealers need to email Carol Swinehart at [cswinehart@classicdistribution.us](mailto:cswinehart@classicdistribution.us) the following information on each person/designer that will be sending 2020 KIT files as RiverRun orders:
  - Name (First and Last)
  - Email address
  - Company Name
- RiverRun staff will set up these contacts to be able to place orders. Dealers will be notified when they are able to place their first order, via their 2020 KIT file.
- Designers must use the most recent RiverRun/2020 Design catalog available. See the Dealer site for the most recent catalog.
- Approved dealers should send 2020 KIT file orders to: [2020order@riverruncabinetry.com](mailto:2020order@riverruncabinetry.com)

## DESIGN SOFTWARE OPTIONS

- 2020 Catalog is available on our Dealer site. Go to the 2020 Catalog link in the main menu for a link to the latest catalog.
- ProKitchen Catalog is available on the ProKitchen website at: <https://www.prokitchensoftware.com/prokitchen-online/conf/riverrun>.

## EXPEDITE ORDERS

- Depending on current production demands, RiverRun may not be able to expedite orders during certain periods of the year. Contact Customer Service to see if your order can be expedited.
- There is a 30% upcharge for these orders.

## **RETURNS & CANCELLATIONS**

- Once an order is approved and has not been placed into production there will be a 25% change fee added to the item/items being changed
- Once an order has been placed into production there will be a 50% cancellation/change fee.
- Once an order is built and packaged no cancellations or changes are permitted for the item/items.
- Any item with standard modifications or custom cabinets may not be changed once approved.
- Unpaid orders will be canceled after 3 weeks.
- Returns are not accepted.

## **RETURNED CHECKS POLICY**

- Insufficient funds payment returns will incur a \$30 processing fee.



# SHIPPING PROGRAM

*River Run Cabinetry*

## CYCLE SHIP PROGRAM

- This program offers our dealers better service with regular scheduled deliveries on our trucks, fewer shipping damages and reduced shipping costs with a landed multiplier. Contact your Sales Rep or Customer Service to see if you qualify for this program. (Certain restrictions apply.)
- The majority of our dealers use this program as long as they meet the following delivery parameters:
  - Dealers will need to be able to receive delivery from a 70' truck (cab + trailer)
  - Delivery address must be serviced by the customer to unload cabinets off the back of the trailer
  - For Job site delivery needs, please consult Customer Service for available options.
- Current Cycle Ship Programs include the following areas (subject to change):
  - VMD - VA, MD, DE
  - Northeast - eastern PA, NJ, NY, CT, RI, MA, VT, NH
  - Southeast - NC, SC, GA, FL, AL
  - Prairie - southern WV, KY, TN, IL, southern WI, IA, MO, NE, KS, eastern CO
  - Midwest - MI, OH, western PA
- \$250 additional charge for all deliveries to metro NYC (NY, NJ, LI)
- For orders under \$1,000 an additional \$100 cycle ship fee will be added to your freight costs by Customer Service after the order is placed. (This EXCLUDES items such as Sales Aids and most Trim items, that can be shipped via FedEx.) You can avoid this fee by either adding items to this order or placing another order for delivery at the same time.
- Freight Surcharges may be added to all orders (including pick-up) to cover inbound freight costs

## CALCULATING FREIGHT COSTS FOR LTL SHIPMENTS (NON-CYCLE SHIP ORDERS)

- For dealers unable to use our Cycle Ship Programs, a freight grid will be created for you when your account is set up. Freight costs are based on the weight of your order and its destination.
- Customer Service will calculate orders that weigh less than 500 lbs or greater than 3000 lbs.

## SHIPPING ADDRESS CHANGES

- Changes to a shipping address after order confirmation will result in possible shipping delays and administrative fees.

## REGISTERING NEW SHIP TO LOCATIONS

- Contact Customer Service to set up new Ship To addresses. Please allow at least two business days for new addresses to be approved and set up in your account.
- If you are shipping to a new address that has not yet been approved, Customer Service will calculate the freight costs after you submit the order and will bill freight separately.
- Please notify Customer Service if ship to addresses require any of the following services. (LTL companies may charge higher fees on site, direct to you, if these are not noted prior to delivery.) RiverRun will invoice customers for any accessorial fees incurred at time of shipment. Unpaid fees will result in a block on the account. Customers should address disputed fees directly with LTL companies.
  - Notification of delivery beyond tracking number
  - Lift gate services (required if you do not have two people to unload cabinets off the back of the truck OR a truck height dock)
  - Residential/limited access area

## CARRIERS

- Carriers are selected based on the most economical rates. If you wish to choose another carrier, please contact Customer Service.
- Orders will be shipped palletized for LTL shipments only. Be sure to have proper equipment for receiving. This option is not currently available for our Cycle Ship Programs.
- Small items may be shipped via small package carrier. A damage disclaimer may need to be signed. Please check with Customer Service. Single assembled cabinets cannot be shipped via a small package carrier.

## PICK UPS

- Pick up orders are available and must be picked up with 24 hours of the availability date.
- Orders not picked up within the 24 hour time frame are subject to storage and handling fees of \$20 per pallet per day.

## MISSED DELIVERIES

- Refused orders or missed deliveries will be charged a minimum of \$500 re-delivery fee.

## MISSING ITEM(S) FROM DELIVERY/SHIPMENT

- In the event that you have a missing item(s) from a delivery, please notify Customer Service of the missing item(s) using the Warranty & Replacement Form found on the Online Order site, listed in the top menu bar, under "Warranty."
- Missing item(s) must be reported within 15 days of delivery.





## DAMAGES & WARRANTIES

---

*River Run Cabinetry*

### **DAMAGE & WARRANTY REPLACEMENT PROGRAM**

- In the event that you have a damaged or warranty item, we will take the most expeditious measures to replace the damaged parts.
- Your prompt response to the damage order confirmation request will keep the order moving as quickly as possible. All damages/warranties require approval of order acknowledgement. Orders will not be processed without written approval confirmation.
- Shipping damage must be reported within 15 days.
- Please check the cabinet/parts before installation as we will not replace the case after it has been installed.
- Please review our warranty before submitting a claim.

#### **Process to replace a damaged or warranty cabinet/part:**

- 1) Go to the Online Order site.
- 2) Complete the Warranty Form. (The link is located in the top right corner of the menu bar under "Warranty.")
- 3) Include photos of the damage. This information is critical for reimbursement, processing, and development of future preventative measures. Replacement forms must include a photo in order for a replacement to be sent at no charge.
- 4) Do not use, destroy or discard the damaged item. It is required that the item be available for the shipping company to retrieve. We will contact you to arrange for pickup. If the carrier is unable to reclaim the part, you will be charged for the replacement.
- 5) Customer Service will send you an Order Acknowledgment if your warranty claim is approved
- 6) Please respond to that Order Acknowledgment email with an approval or any necessary changes. Orders will not be processed without written approval confirmation.

## Five Year Limited Warranty

All our cabinets come with a five-year warranty for the original purchaser starting from the purchase date. We assure the original purchaser that all parts and components are free from defects in material and workmanship under normal use. Defects, in this context, refer to any imperfection that might hinder the proper use of the cabinets. This warranty is exclusive to the original cabinet purchaser and is not transferable.

Wood, like other natural materials, is influenced by environmental factors such as natural and artificial lighting. The darkening or mellowing of wood is a natural aging process. Each wood species has its unique patterns and characteristics that contribute to its natural beauty. These color and characteristic variations are not considered defects. This warranty does not cover the natural aging and darkening of wood color, nor does it apply to the inherent growth characteristics of wood. Color variations and softening due to species, age, cabinet character, and exposure to UV light and sunlight are natural occurrences and not valid reasons for warranty replacements.

Natural variations in wood grain or color may cause your cabinet to not exactly match the original sample or be exactly the same as one another; this is due to the natural characteristics of wood grain and color. Additionally, the characteristic of wood is to expand and contract over time. As such, hairline cracks and/or finish stress lines may become visible on painted or stained mitered doors or wooden joints, and are not considered defects.

Extreme temperatures and humidity levels in homes may cause materials to shrink, swell, or warp (usually more in width than height), and this is beyond the control of RiverRun Cabinetry and is not covered under warranty. Cabinets should not be installed in new constructions until humidity and temperatures are controlled. Warped cabinet doors must be allowed to hang through one seasonal heating cycle before considering replacement under this limited warranty.

- A twist or warp up to ¼" is not considered a defect for warranty replacement. Door sizes have a tolerance of (+ or -) ½".

Products used for commercial purposes are excluded from this warranty. Not covered are cabinets showing normal wear and tear, cabinets improperly stored or installed, improperly assembled or disassembled, intentionally damaged, misused, or exposed to the elements, cabinets with defects due to excessive moisture, accidents, or negligence, and cabinets changed or modified in any way.

RiverRun Cabinetry does not warrant the installation of "stand-alone" or independent cabinets in widths greater than thirty-six inches and depths greater than twelve inches. All cabinets, regardless of design dimension or shape, must be affixed to "studs," permanently fastened to the interior wall, floor, or ceiling joists attached to permanent structures (i.e., interior partition wall or floor). It is important to note that structural modification of a wall cabinet can significantly weaken it, and modifications are not recommended. If a modification is required, the warranty of the cabinet is void, and it is the installer's responsibility to compensate for any loss of strength or support due to the modification.

This warranty is expressly limited to the replacement of defective component parts at our discretion. Our liability is expressly limited to the cost of the material for the replacement of defective goods. We may choose to replace the product with a product of equal value and complementary style if the original style is no longer available. Due to the aging process of natural wood, an exact match between the finish of the existing product and its replacement cannot be guaranteed.

In no event are we liable for incidental, indirect, or consequential damages resulting from the use of our cabinets. This warranty does not cover the cost of installation, removal, subsequent damage, or transportation of the defective product, regardless of whether the work was performed by a contractor, service company, or consumer.

Some states do not allow limitations on how long an implied warranty may last or the exclusion and/or limitations of incidental and/or consequential damages. Therefore, the above limitations may not apply. This warranty provides specific rights that may vary from state to state. Any claims made under this warranty must be presented in writing with a Replacement Form and accompanied by photographs of the defective material.



# CABINET SPECS & FINISHES

*RiverRun Cabinetry*

## GENERAL PRODUCT NOTES

### DOOR STYLES, COLORS AND PRICE GROUPS:

PRICE GROUP 1	PRICE GROUP 2	PRICE GROUP 3	PRICE GROUP 4	PRICE GROUP 5
Parkview Maple & MDF (slab)	Cambridge (slab)	Cambridge (5pc)	Dalton (slab)	Dalton (5pc)
	Jefferson MDF (slab)	Jefferson Oak (slab)	Jefferson Oak (5pc)	Hampton (5pc)
	Parkview Maple & MDF (5pc)	Jefferson MDF (5pc)		

### PRICE GROUPS FOR ACCESSORIES:

PRICE GROUP 1	PRICE GROUP 2
Stains	Paints

## PRODUCT SPECIFICATIONS / NOTES

- RiverRun Cabinetry provides a broad selection of cabinet sizes and accessories.

## DOOR CLEARANCE

- As with all full overlay door styles, clearance of doors and drawers must be taken into consideration during the design process to assure proper operation of all doors, drawers and roll out trays.

## SINGLE DOOR CABINET HINGING

- Using the Online Order System, please select hinge left or hinge right on single door cabinets.

## CABINET SIZES

- Standard wall cabinets are 12" deep unless otherwise specified.
- Standard base cabinets are 34½" tall and 24" deep.
- Standard vanity cabinets are 34½" tall and 21" deep.

## TOE KICK MATERIAL

- All cabinets with a toe notch require ¼" x 4½" high, toe kick material. This needs to be ordered in addition to the cabinetry.

*In keeping with a policy of continuous refinement, RiverRun Cabinetry reserves the right to alter specifications without general notice or obligation to make similar changes in previously produced product.*

## STANDARD PRODUCT MATERIALS

### CASE

- Standard face frames are traditional construction and are ¾" thick with 1½" stiles and rails made of solid wood.
- End panels are ½" thick plywood. Interiors include a clear coat finish and exteriors have a natural finish, both with option to add a finished skin.
- Shelves are ¾" thick balanced veneer core plywood, sealed with a clear-coat and are adjustable and front edge banded.
- Backs are ½" thick plywood to allow multiple locations for installation. Base cabinet backs extend to the floor providing optimal structural stability.
- Toe kick is recessed 4" and is 4½" high.

### DRAWERS, GLIDES & HINGES

- EuroBoxes come standard with ⅝" thick hardwood plywood with drill and dowel construction. Optional upgraded dovetail drawer boxes are also available. Both drawer box options are UV clear-coated on all sides.
- Bottoms are fully captured plywood on the EuroBox and the upgraded dovetail box.
- Glides are under mounted full-extension and soft close on both drawer options.
- Integrated soft-close hinges are standard for all door styles.

### SLAB/5 PIECE COMBINATION DRAWER OPTIONS

- The combination drawer front selection (COMBO) will be a 5% upgrade on any applicable cabinet, the list is below are all cabinets that will be impacted by this upgrade. Any drawer front that is below the level of the drawer front of a standard base will be upgraded to the five piece. For example, on the 4 drawer base the top drawer will be slab and then every drawer below that will be five piece and on the 2 drawer base both drawer fronts will be five piece.

<u>Product</u>	<u>Example</u>	<u>Description of Combo</u>
Base Microwave	BM30	Only drawer front (bottom of cab) five piece
2 Drawer Base	DBXX-2	Both drawer fronts five piece
3 Drawer Base	DBXX-3	Top drawer front slab, bottom two drawer fronts five piece
4 Drawer Base	DBXX-4	Top drawer front slab, bottom three drawer fronts five piece
Oven Cabinet	OC33XXD	Only drawer front (bottom of cab) five piece
Vanity 3 Drawer Base	VDBXX	Top drawer front slab, bottom two drawer fronts five piece
Vanity 4 Drawer Base	VDB60 (only)	Top drawer front slab, bottom three drawer fronts five piece
Vanity Sink Drawer	VSDLXX/VSDRXX	Top drawer front slab, bottom two drawer fronts five piece

### REVEALS

- Wall cabinet doors have a ¼" reveal on bottom and sides. The top reveal is 1" for moulding installation.
- Base cabinet doors have a ¼" reveal on bottom and sides. The top drawer head has a ¼" reveal on the sides and a ½" reveal on the bottom (between the drawer and door).
- All base cabinets have a 1" reveal on top.

### FINISH

- Catalyzed conversion varnish top coat with UV protection is applied to doors, drawers and face frames.

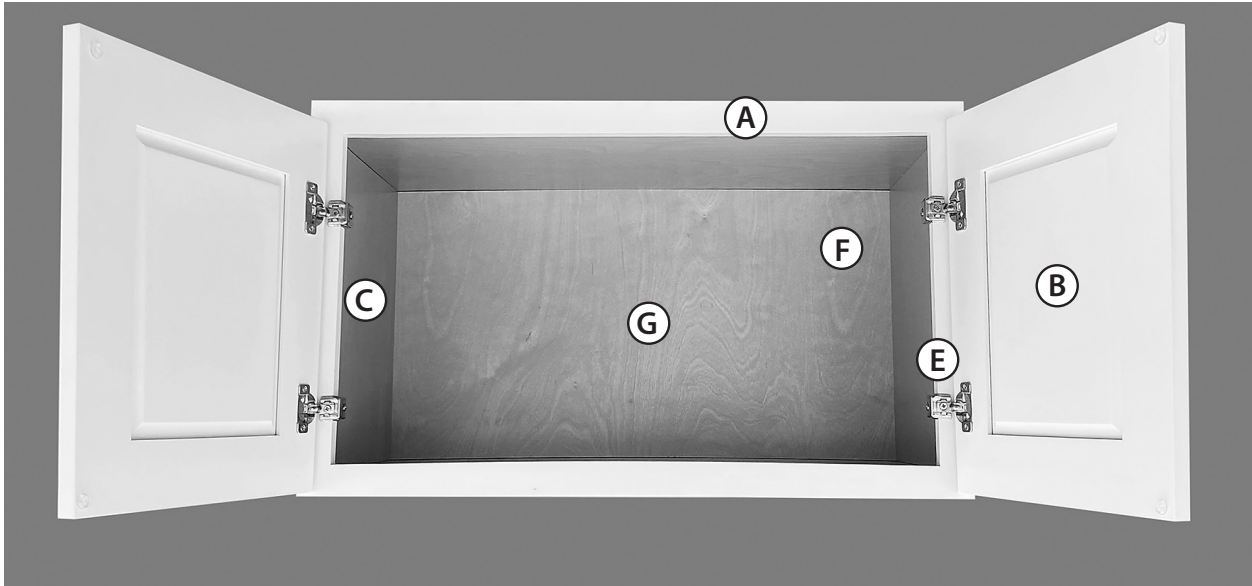
### SPECIES/MATERIAL

- Natural Hardwood
- MDF for painted doors, except where noted



## WALL CONSTRUCTION

*River Run Cabinetry*



### **(A) FACE FRAMES**

Constructed from  $\frac{3}{4}$ " hardwood. Base and wall frames have  $1\frac{1}{2}$ " stiles and rails.

Wall cabinets have a 1" reveal at the top for moulding installation. Bottom and sides have  $\frac{1}{4}$ " reveal.

### **(B) DOORS**

Premium full overlay door styles with soft-close door hinges. Stained doors are solid hardwood and painted doors are MDF. (See door specification pages: SF6-8 for details.)

### **(C) PANELS**

Constructed from  $\frac{1}{2}$ " plywood with option for finished skins. Ends, tops and bottoms are captured in frame grooves. Backs are captured in end panel grooves.

### **(D) SHELVES (not shown)**

Constructed from  $\frac{3}{4}$ " plywood and finished on both sides. Wall shelves are adjustable at  $2\frac{1}{2}$ " increments. All secured for shipment with locking shelf clips utilizing  $\frac{1}{4}$ " diameter dowel.

### **(E) HINGES**

6-way fully concealed 108° self-closing cup hinges that allow easy height, width, and depth adjustment. Soft-close hinges are standard.

### **(F) CABINET INTERIOR**

Sealed with clear-coat finish. Finished Interior\* option may be selected on wall, base and tall cabinets up to 24" deep.

### **(G) BACKS**

For ease of installation, backs are solid  $\frac{1}{2}$ " plywood.

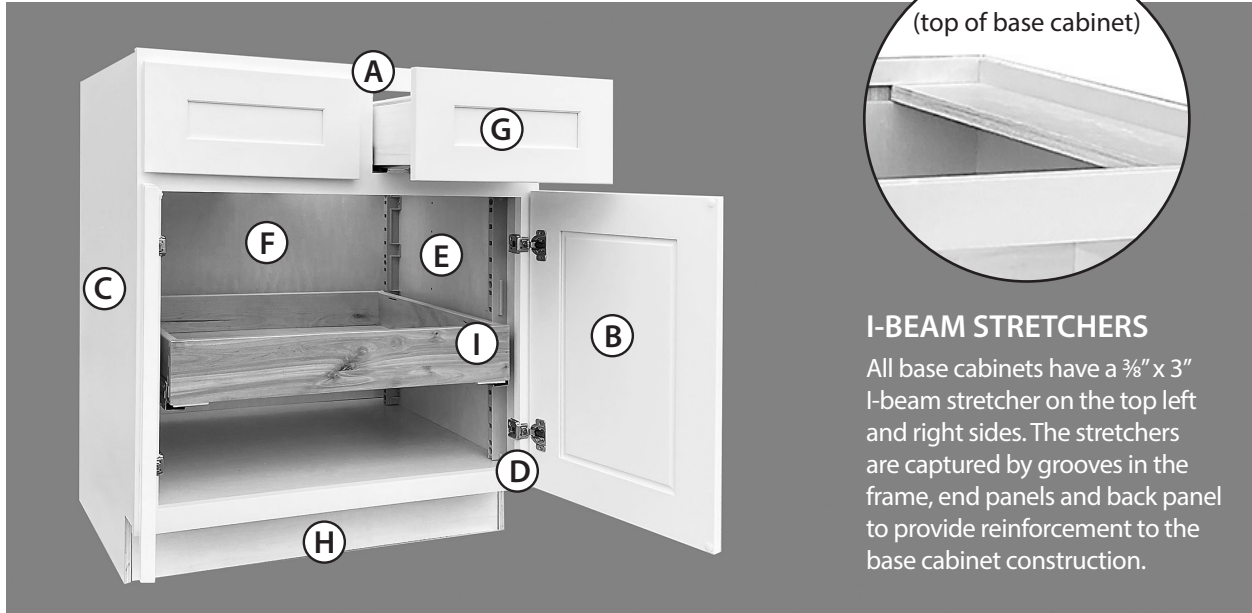
### **(H\*) FINISHED INTERIORS (FI) - optional (not shown)**

Cabinet interiors will be finished to match exterior. Shelves in cabinets with Finished Interior option will also be finished to match exterior.



## BASE CONSTRUCTION

RiverRun Cabinetry



### I-BEAM STRETCHERS

All base cabinets have a  $\frac{3}{8}$ " x 3" I-beam stretcher on the top left and right sides. The stretchers are captured by grooves in the frame, end panels and back panel to provide reinforcement to the base cabinet construction.

#### **(A) FACE FRAMES**

Constructed from  $\frac{3}{4}$ " hardwoods. Base and wall frames have  $1\frac{1}{2}$ " stiles and rails. Base cabinets have a 1" reveal at the top. Bottom and sides have  $\frac{1}{4}$ " reveal.

#### **(B) DOORS**

Premium full overlay door styles with soft-close door hinges. Stained doors are solid hardwood and painted doors are MDF. (See door specification pages: SF6-8 for details.)

#### **(C) PANELS**

Constructed from  $\frac{1}{2}$ " plywood with option for finished ends. All finished ends are applied  $\frac{1}{4}$ " skin. Ends, tops and bottoms are captured in frame grooves. Backs are captured in end panel grooves.

#### **(D) HINGES**

6-way fully concealed 108° self-closing cup hinges that allow easy height, width, and depth adjustment are standard.

#### **(E) CABINET INTERIOR**

Sealed with clear-coat finish. Finished Interior\* option may be selected on wall, base and tall cabinets up to 24" deep.

#### **(F) BACKS**

Backs are solid  $\frac{1}{2}$ " plywood. Base cabinet backs extend to the floor providing optional structural stability.

#### **(G) DRAWERS**

EuroBoxes are  $\frac{5}{8}$ " thick hardwood plywood with dowel construction. Option to upgrade to dovetail construction. Both options are clear coated and bottoms are fully captured plywood. Glides are under mount, full extension soft-close.

#### **(H) TOE KICKS**

Constructed from  $\frac{1}{2}$ " unfinished plywood. They are inset into the cabinet box  $3\frac{1}{2}$ " and are  $4\frac{1}{2}$ " high. Toe Kick Material (TKS) required to finish the toe kick space.

#### **(I) ROLL OUT TRAY & PILASTER KIT (optional)**

EuroBox (standard) or dovetail upgrade option for roll out tray box with undermount glides. Pilasters are installed at each corner of base cabinet (pantries get 2 sets of pilaster kits) with slots for approximate 1" height adjustments.



# DOOR STYLES & FINISHES

*RiverRun Cabinetry*

## FINISH AVAILABILITY MATRIX

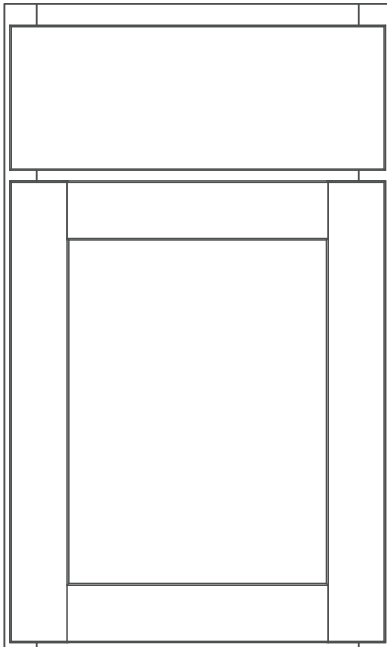
		PARKVIEW (Maple - stains) (MDF - paints)	JEFFERSON (Red Oak - stains & paints) (MDF - paints)	CAMBRIDGE (MDF)	DALTON (Birch)	HAMPTON (without glaze) (MDF)
<b>STAINS</b>	Smoke	X	X		X	
	Cocoa	X	X		X	
	RiverRock	X	X		X	
	Pecan	X	X		X	
	Sahara	X	X		X	

<b>PAINTS</b>	White	X	X	X		X
	Linen	X	X	X		X
	Mint	X	X	X		X
	Pewter	X	X	X		X
	Sage	X	X	X		X
	Blue Lagoon	X	X	X		X
	Onyx	X	X	X		X
	Peppercorn	X	X	X		X



## CAMBRIDGE (SLAB)

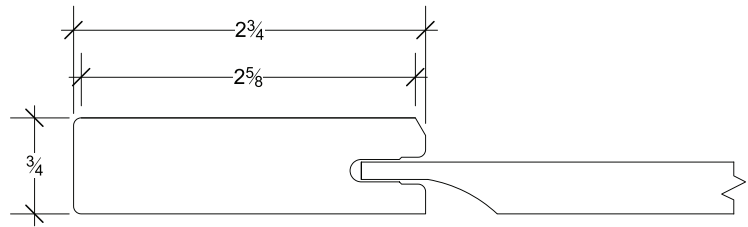
---



**Species:** Premium MDF

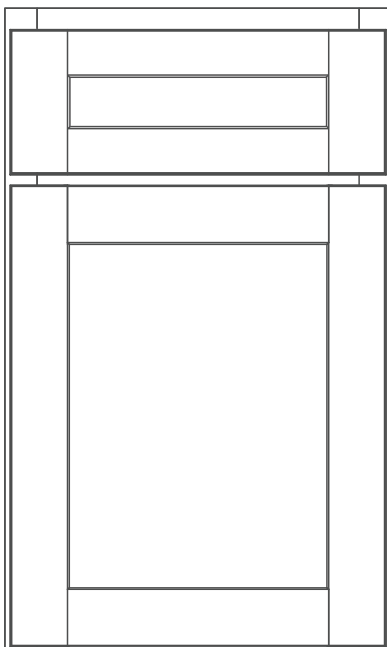
**Construction & Specifications:**

- drawer fronts are slab
- available in all paint colors
- full overlay door
- 2 $\frac{3}{4}$ " stiles and rails
- center panel is a solid reversed raised panel



## CAMBRIDGE (5-PIECE)

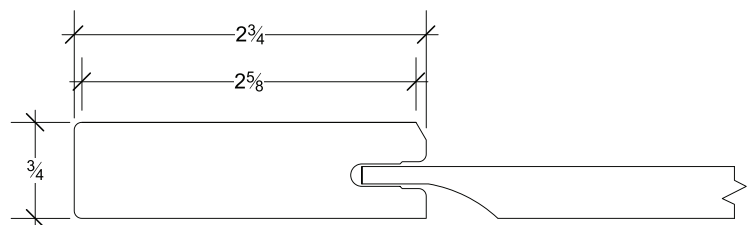
---



**Species:** Premium MDF

**Construction & Specifications:**

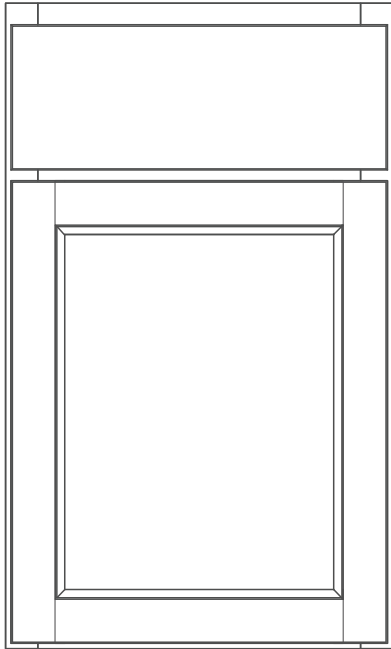
- drawer fronts are 5-piece
- available in all paint colors
- full overlay door
- 2 $\frac{3}{4}$ " stiles and rails
- center panel is a solid reversed raised panel





## JEFFERSON (SLAB)

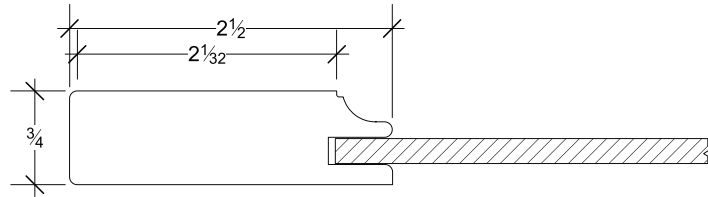
---



**Species:** Red Oak & MDF

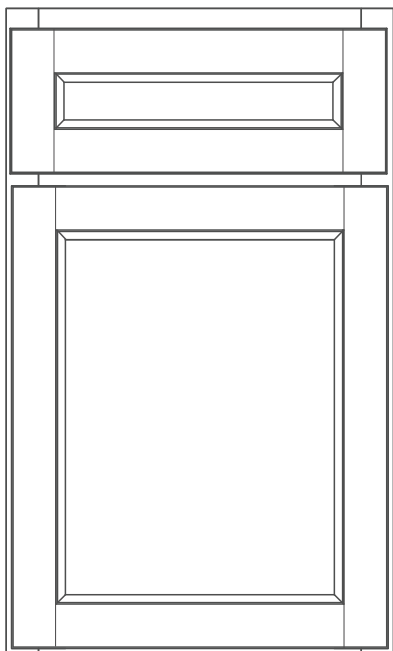
**Construction & Specifications:**

- drawer fronts are slab
- available in all paint colors
- available stains: Cocoa, RiverRock, Smoke, Pecan & Sahara
- full overlay door
- 2½" stiles and rails
- center panel is ¼" flat panel veneer



## JEFFERSON (5-PIECE)

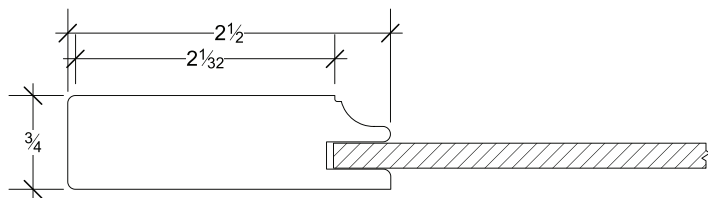
---



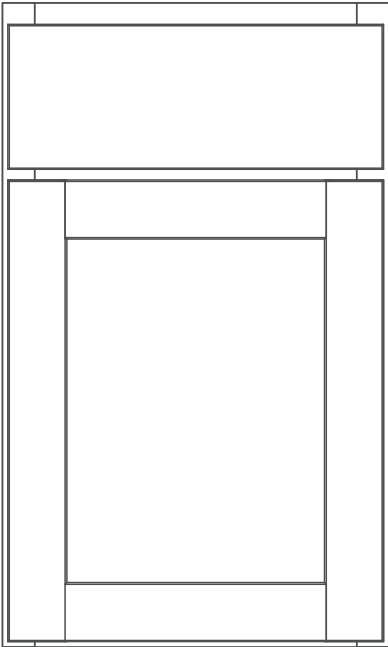
**Species:** Red Oak & MDF

**Construction & Specifications:**

- drawer fronts are 5-piece
- available in all paint colors
- available stains: Cocoa, RiverRock, Smoke, Pecan & Sahara
- full overlay door
- 2½" stiles and rails
- center panel is ¼" flat panel veneer



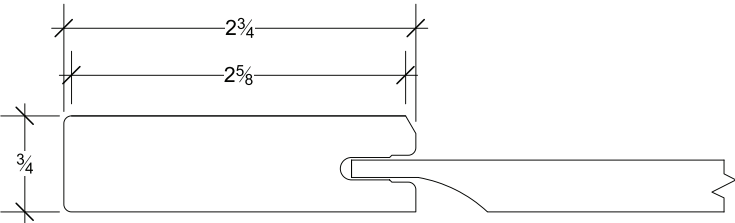
# DALTON (SLAB)



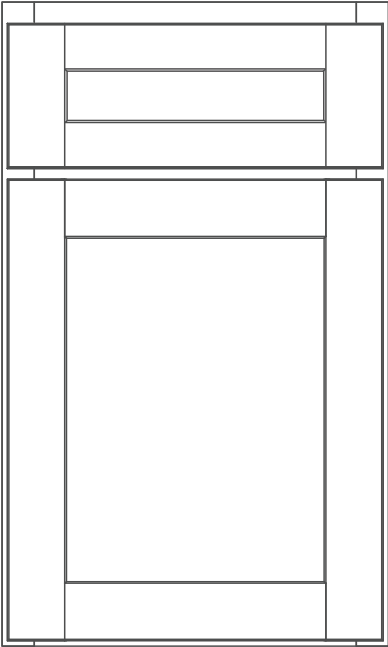
**Species:** Birch

**Construction & Specifications:**

- drawer fronts are slab
- available in all stains
- full overlay door
- 2 3/4" stiles and rails
- center panel is a solid reversed raised panel



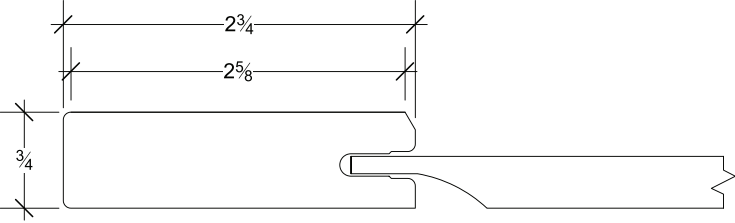
# DALTON (5-PIECE)



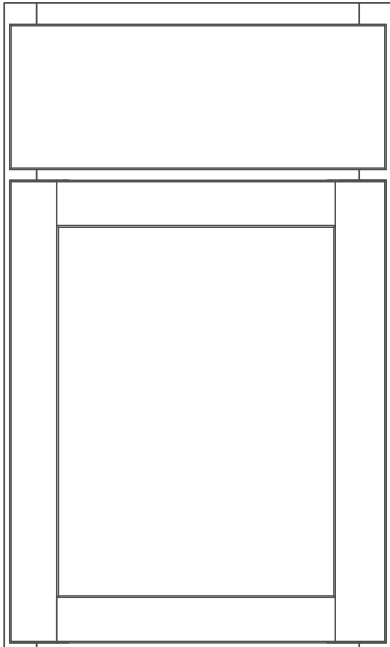
**Species:** Birch

**Construction & Specifications:**

- drawer fronts are 5-piece
- available in all stains
- full overlay door
- 2 3/4" stiles and rails
- center panel is a solid reversed raised panel

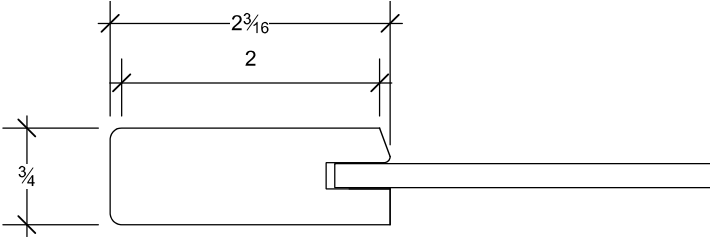


# PARKVIEW (SLAB)

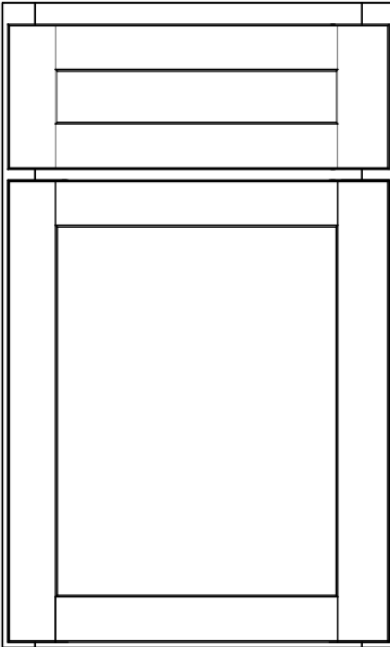


**Species:** Maple & Premium MDF  
**Construction & Specifications:**

- drawer fronts are slab
- available in all paint colors
- available in Cocoa, RiverRock, Smoke, Pecan & Sahara
- full overlay door
- 2 3/16" stiles and rails

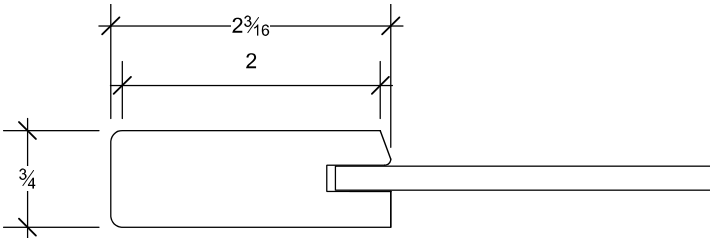


# PARKVIEW (5-PIECE)



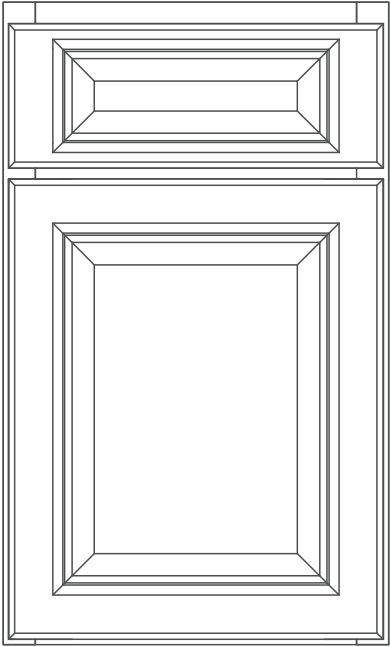
**Species:** Maple & Premium MDF  
**Construction & Specifications:**

- drawer fronts are 5-piece
- available in all paint colors
- available in Cocoa, RiverRock, Smoke, Pecan & Sahara
- full overlay door
- 2 3/16" stiles and rails



# HAMPTON

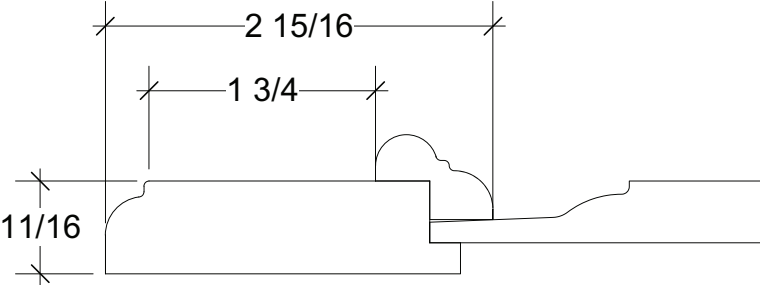
---



**Species:** Premium MDF

**Construction & Specifications:**

- drawer fronts are 5-piece
- available in all paint colors
- full overlay door
- 2<sup>5</sup>/<sub>16</sub>" stiles and rails
- raised center panel





DOOR SIZE CHART			
ITEM NO.	CABINET	DOOR WIDTH	DOOR HEIGHT
DR-ER33	ER33	7.8750	28.7500
DR-W0930	W930, B9	8.5000	28.7500
DR-W0936	W936	8.5000	34.7500
DR-W0942	W942	8.5000	40.7500
DR-ERCW2415	ERCW2415	10.805	13.7500
DR-ER36	ER36, ERCW2430	10.805	28.7500
DR-ERCW2436	ERCW2436	10.805	34.7500
DR-ERCW2442	ERCW2442	10.805	40.7500
DR-W1215	W1215	11.5000	13.7500
DR-B12	B12, VB12	11.5000	21.5000
DR-W1230	W1230, BB36, BW2430, WEP1230	11.5000	28.7500
DR-W1236	W1236, BW2436, WEP1236	11.5000	34.7500
DR-W1242	W1242, BW2442, WEP1242	11.5000	40.7500
DR-2415-2	W2415	11.6875	13.7500
DR-AG2418	AG2418-BD	11.6875	16.7500
DR-B24-2	B24-2, V24-2	11.6875	21.5000
DR-W2430-2	W2430-2, P2484	11.6875	28.7500
DR-W2436-2	W2436-2, P2490	11.6875	34.7500
DR-W2442-2	W2442-2, P2496	11.6875	40.7500
DR-P2484	P2484, P2490, P2496 (pantry bottom door)	11.6875	49.0000
DR-2715	W2715	13.1875	13.7500
DR-B27	B27, V27	13.1875	21.5000
DR-W2730	W2730	13.1875	28.7500
DR-W2736	W2736	13.1875	34.7500
DR-W2742	W2742	13.1875	40.7500
DR-TAB12FHDL	TAB12FHDL, TAB12FHDR	14.0000	28.7500
DR-W1515	W1515, CW2415	14.5000	13.7500
DR-ADAG2418	ADAG2418	14.5000	17.5000
DR-B15	B15, BB42, DSB36, VB15, VSB60, VSDL30, VS DR30	14.5000	21.5000
DR-W1530	W1530, CW2430	14.5000	28.7500
DR-W1536	W1536, CW2436, CW2736	14.5000	34.7500
DR-W1542	W1542, CW2442, CW2742	14.5000	40.7500
DR-W3012	W3012	14.6875	10.7500
DR-WMW3033	WMW303318	14.6875	12.2500
DR-W3015	W3015	14.6875	13.7500
DR-W3018	W3018, SBFH30	14.6875	16.7500
DR-W3021	W3021	14.6875	19.7500

(continued on next page)

(continued from previous page)

DOOR SIZE CHART			
ITEM NO.	CABINET	WIDTH	HEIGHT
DR-B30	B30, SB30, V30, VSB60	14.6875	21.5000
DR-W3024	W3024	14.6875	22.7500
DR-WMW3045	WMW304518	14.6875	24.2500
DR-W3027	W3027	14.6875	25.7500
DR-W3030	W3030, BW4230	14.6875	28.7500
DR-W3036	W3036	14.6875	34.7500
DR-W3042	W3042	14.6875	40.7500
DR-W3315	W3315	16.1875	13.7500
DR-OC3384D	OC3384D, SBFH33	16.1875	16.7500
DR-B33	B33, SB33, V33	16.1875	21.5000
DR-OC3390D	OC3390D	16.1875	22.7500
DR-W3330	W3330, OC3396D	16.1875	28.7500
DR-W3336	W3336	16.1875	34.7500
DR-W3342	W3342	16.1875	40.7500
DR-W1815	W1815	17.5000	13.7500
DR-B18	B18, VB18, VSDL36, VSDR36	17.5000	21.5000
DR-W1830	W1830, BW3030, P1884	17.5000	28.7500
DR-W1836	W1836, BW3036, P1890	17.5000	34.7500
DR-W1842	W1842, BW3042, P1896	17.5000	40.7500
DR-P1884	P1884, P1890, P1896	17.5000	49.0000
DR-W3612	W3612, W361224	17.6875	10.7500
DR-W3615	W3615	17.6875	13.7500
DR-W3618	W3618, W361824, SBFH36	17.6875	16.7500
DR-B36	B36, SB36, V36, VSB36	17.6875	21.5000
DR-W3624	W3624, W362424	17.6875	22.7500
DR-W3630	W3630	17.6875	28.7500
DR-W3636	W3636	17.6875	34.7500
DR-W3642	W3642	17.6875	40.7500
DR-W3912	W3912	19.1875	10.7500
DR-W3915	W3915	19.1875	13.75
DR-B39	B39	19.1875	21.5000
DR-W3930	W3930	19.1875	28.7500
DR-W3936	W3936	19.1875	34.7500
DRW2115	W2115, W4215	20.5000	13.7500
DR-B21	B21, BB48	20.5000	21.5000
DR-W2130	W2130	20.5000	28.7500
DR-W2136	W2136	20.5000	34.7500
DR-W2142	W2142	20.5000	40.7500

(continued on next page)

(continued from previous page)

DOOR SIZE CHART			
ITEM NO.	CABINET	WIDTH	HEIGHT
DR-B42	B42, SB42, V42, VSB42	20.6875	21.5000
DR-DSB42	DSB42, CSF42	23.0000	21.5000
DR-VSB48	VSB48, VDB60	23.5000	21.5000
DR-BW3630	BW3630, WEP2430-1	23.5000	28.7500
DR-BW3636	BW3636	23.5000	34.7500
DR-BW3642	BW3642	23.5000	40.7500
DR-W4230	W42 30	20.688	28.7500
DR-W4236	W4236	20.688	34.7500



DRAWER FRONT SIZE CHART			
ITEM NO.	CABINET	WIDTH	HEIGHT
DF-KD30	KD30	23.5000	4.2500
DF-KD36	KD36	29.5000	4.2500
DF-VSB36	VSB36-left/right	10.0000	6.7500
DF-B12	B12, DB12-upper, VB12, VDB12-upper, VDB60-center, VSB42-left/right, VSB48-left/right	11.5000	6.7500
DF-B15	B15, BB42, DB15-upper, DSB36, VB15, VDB15-upper, VSDL30-upper, VSDR30-upper, VSB60-upper	14.5000	6.7500
DF-B30	B30, SB30, V30	14.6875	6.7500
DF-VSB36-center	VSB36-center	15.1250	6.7500
DF-B33	B33, SB33, V33	16.1875	6.7500
DF-B18	B18, DB18-upper, DDB18-upper, VB18-upper, VDB18-upper, VSB42-center, VSDL36-upper, VSDR36-upper	17.5000	6.7500
DF-B36	B36, SB36, V36	17.6875	6.7500
DF-B39	B39	19.1875	6.7500
DF-B21	B21, BB48, DB21-upper, VDB21-upper	20.5000	6.7500
DF-B42	B42, SB42, V42	20.6875	6.7500
DF-DSB42	DSB42, CSF42	23.0000	6.7500
DF-B24	B24-2, DB24-upper, V24-2, VDB24-upper, VDB60-left/right, VSB48-center	23.5000	6.7500
DF-B27	B27, V27	26.5000	6.7500
DF-B30-1	DB30-upper, VSB60-center	29.5000	6.7500
DF-OC3384	OC3384D, OC3390D, OC3396D	32.5000	6.7500
DF-B36-1	DB36-upper	35.5000	6.7500
DF-VDB60	VDB60-bottom	11.5000	7.0000
DF-DB12	DB12-bottom, VDB12-bottom	11.5000	10.5000
DF-DB15	DB15-bottom, VDB15-bottom, VSDR30-bottom, VSDL30-bottom	14.5000	10.5000
DF-DB18	DB18-bottom, VDB18-bottom, VSDR36-bottom, VSDL36-bottom	17.5000	10.5000
DF-DB21	DB21-bottom, VDB21-bottom	20.5000	10.5000
DF-DB24	DB24-bottom, VDB24-bottom	23.5000	10.5000
DF-DB30	DB30-bottom	29.5000	10.5000
DF-DB36	DB36-bottom	35.5000	10.5000
DF-BM30	BM30	29.5000	11.0000
DF-DDB18	DDB18-bottom	17.5000	16.5000

Doors and drawer fronts are available for purchase. (list prices)

**Doors** - \$110 per sq. ft

**Drawer Fronts** - \$130 per sq. ft

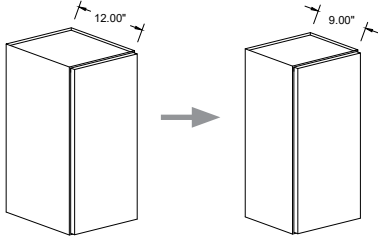
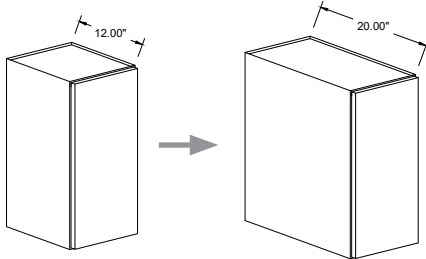
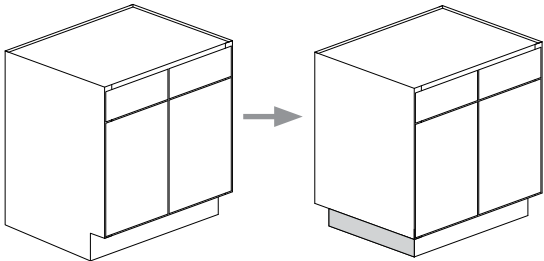
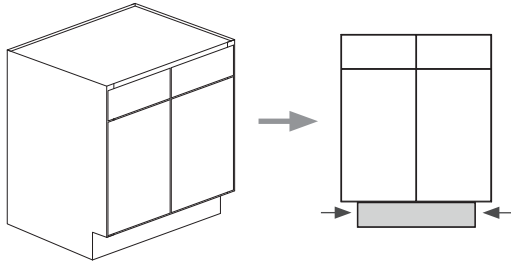


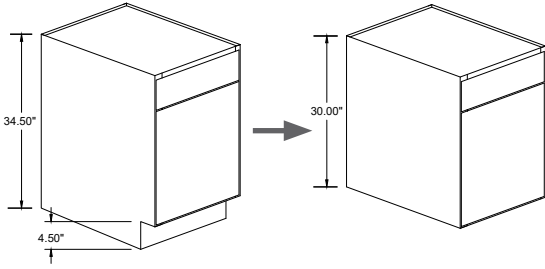
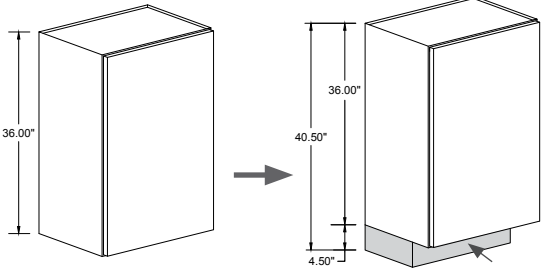
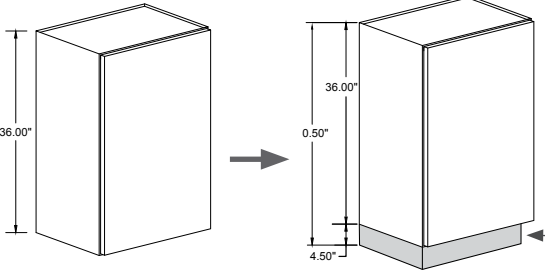
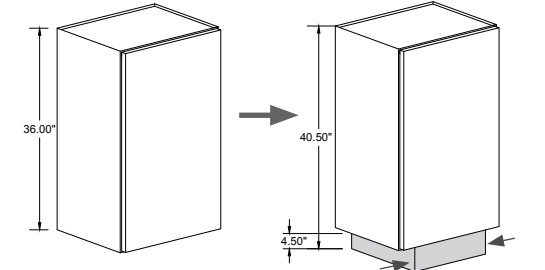
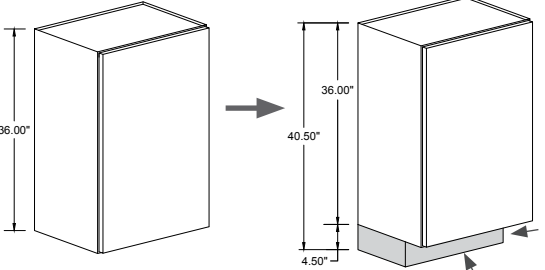


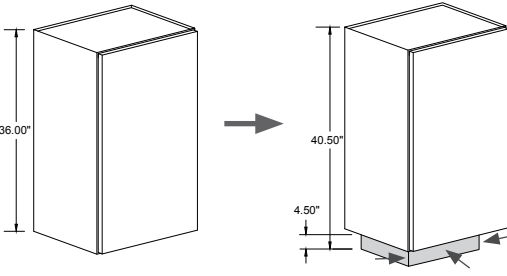
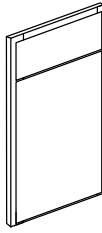
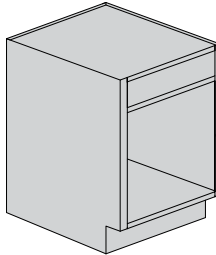
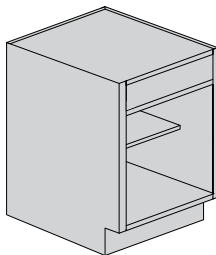
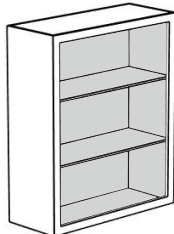
# CUSTOM MODIFICATIONS

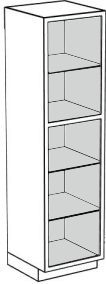
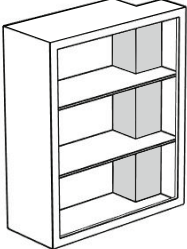
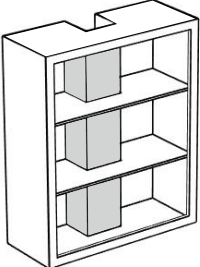
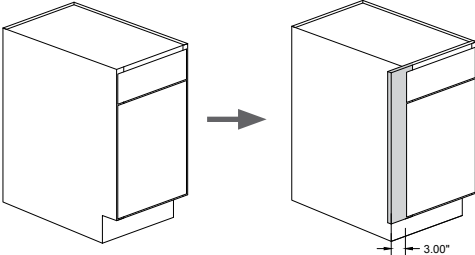
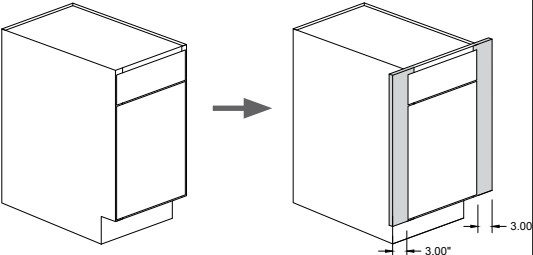
*River Run Cabinetry*

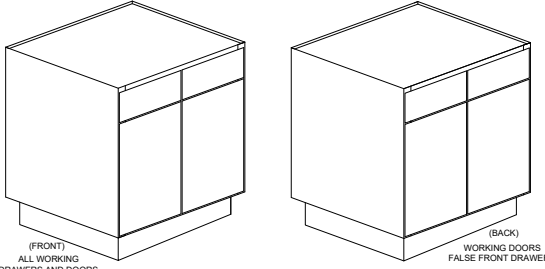
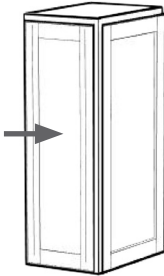
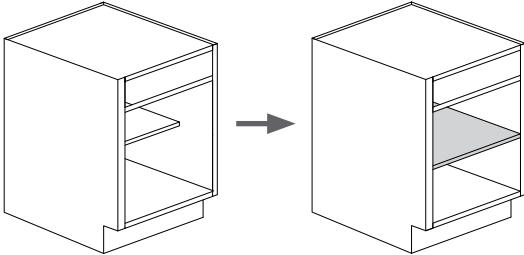
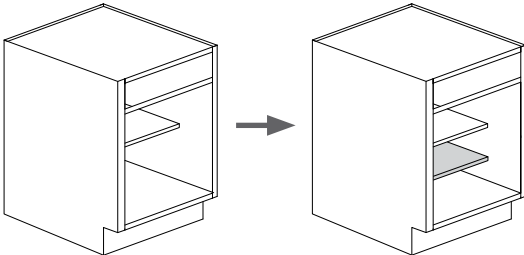
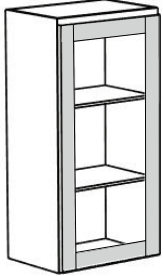
*Note: Modifications extend lead times except where noted in description.*

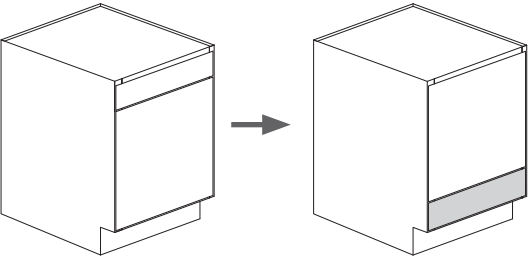
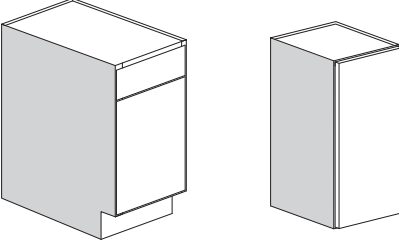
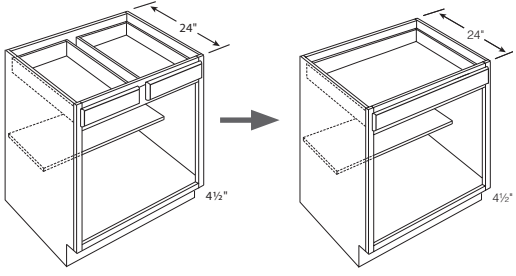
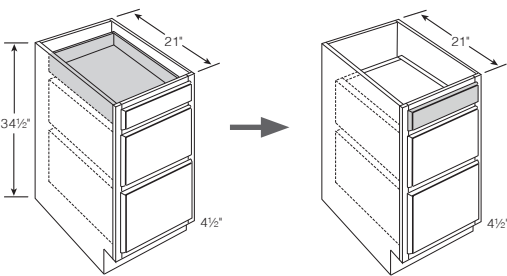
MOD. CODES & DESCRIPTIONS	EXAMPLE	LIST PRICES
<p><b>RD</b></p> <p><b>Reduce Depth</b> of cabinet (1" increments)</p> <p>base - 12" minimum depth wall - 4" minimum depth</p> <p><b>Reduce Depth</b> of roll out tray</p>	 <p>pictured: W1230 reduced depth to 9"</p>	<p>cab + 300 (walls)</p> <p>cab + 500 (talls &amp; bases)</p> <p>ROT+167</p>
<p><b>ID</b></p> <p><b>Increase Depth</b> of wall and vanity cabinet (1" increments)</p> <p>walls - 24" depth maximum bookcase - 18" depth maximum bases - not available</p>	 <p>pictured: W1230 increased depth to 20"</p>	<p>cab + 657</p> <p>1.5 x bookcase</p>
<p><b>BTKR or L or B</b></p> <p><b>Recess Toe Kick on Right or Left or Back</b> of base, pantry, or vanity cabinet</p> <p>available in B15 and larger base cabinets</p>	 <p>pictured: V27 recess toe kick added to left</p>	<p>cab + 283</p>
<p><b>BTKRL</b></p> <p><b>Recess Toe Kick on Right and Left</b> of base, pantry, or vanity cabinet</p> <p>available in B18 and larger base cabinets</p>	 <p>pictured: V27 recess toe kick added to right and left</p>	<p>cab + 417</p>

MOD. CODES & DESCRIPTIONS	EXAMPLE	LIST PRICES
<p><b>BTKN</b> Toe Kick Removed from base, pantry, or vanity cabinet (height less 4½")</p>	 <p>pictured: B18 toe kick removed</p>	<p>cab + 450</p>
<p><b>WTKF</b> Add Toe Kick to Wall Cabinet with Toe Kick Space at Front only (height plus 4½")</p>	 <p>pictured: W1836 toe kick added with space at front only</p>	<p>cab + 417</p>
<p><b>WTKR or L</b> Add Toe Kick to Wall Cabinet with Toe Kick Space to Right or Left (height plus 4½")</p>	 <p>pictured: W1836 toe kick added with space at right</p>	<p>cab + 417</p>
<p><b>WTKRL</b> Add Toe Kick to Wall Cabinet with Toe Kick Space to Right and Left (height plus 4½")</p>	 <p>pictured: W1836 toe kick added with space at right and left</p>	<p>cab + 483</p>
<p><b>WTKFR or L</b> Add Toe Kick to Wall Cabinet with Toe Kick Space to Front and Right or Left (height plus 4½")</p>	 <p>pictured: W1836 toe kick added with space at front and right</p>	<p>cab + 483</p>

MOD. CODES & DESCRIPTIONS	EXAMPLE	LIST PRICES
<p><b>WTKFRL</b></p> <p><b>Add Toe Kick to Wall Cabinet with Toe Kick Space to Front, Right, and Left</b> (height plus 4½")</p>	 <p>pictured: W1836 toe kick added with space at front, right and left (WTKFRL)</p>	<p>cab + 550</p>
<p><b>TP</b></p> <p><b>Tri-Pack</b> - face frame, drawer front(s), and door(s) only</p> <p><i>Does not extend lead time.</i></p>		<p>75% x cab. *</p>
<p><b>BO</b></p> <p><b>Box Only</b> - Does not include drawer box, hardware, doors, drawer fronts or shelves.</p> <p><i>Does not extend lead time.</i></p>	 <p>pictured: B24-2 case only</p>	<p>60% x cab. *</p>
<p><b>NO FRONTS</b></p> <p>Includes hardware, shelves, and drawer box. Does not include doors or drawer fronts.</p> <p><i>Does not extend lead time.</i></p>	 <p>pictured: B24-2 no front</p>	<p>85% x cab. *</p>
<p><b>FI</b></p> <p><b>Cabinet with Finished Interior</b></p>	 <p>pictured: W3030 - finished interior</p>	<p>cab + 420</p>

MOD. CODES & DESCRIPTIONS	EXAMPLE	LIST PRICES
<p align="center"><b>FIT</b></p> <p align="center"><b>Cabinet with Finished Interior (Talls)</b></p>	 <p align="center">pictured: P2490 finished interior (tall)</p>	<p align="center">cab + 533</p>
<p align="center"><b>PCR or L</b></p> <p align="center"><b>Pipe Chase Cut-Out on Right or Left Corner (width x depth, location)</b></p>	 <p align="center">pictured: W3030 pipe chase cut-out on right (back)</p>	<p align="center">cab + 983</p>
<p align="center"><b>PCM</b></p> <p align="center"><b>Pipe Chase Cut-Out in Middle (width x depth, location)</b></p>	 <p align="center">pictured: W3030 pipe chase cut-out in middle (back)</p>	<p align="center">cab + 1,250</p>
<p align="center"><b>ESR or L</b></p> <p align="center"><b>Install Extended Stile on Right or Left side of cabinet (This modification adds 1.5" OR 3" on either side)</b></p> <p align="center">3" or 4.5" total stile width</p> <p align="center"><i>Field Trimmable</i></p>	 <p align="center">pictured: B15 extended stile on left 3" (making it 18" wide)</p>	<p align="center">1.5" ext. = cab + 417</p> <p align="center">3" ext. = cab + 483</p>
<p align="center"><b>ESRL</b></p> <p align="center"><b>Install Extended Stile on Right and Left sides of cabinet (This modification adds 1.5" OR 3" to both sides.)</b></p> <p align="center">3" or 4.5" total stile width</p> <p align="center"><i>Field Trimmable</i></p>	 <p align="center">pictured: B15 extended stile on right and left 3" on both sides</p>	<p align="center">1.5" ext. = cab + 834</p> <p align="center">3" ext. = cab + 966</p>

MOD. CODES & DESCRIPTIONS	EXAMPLE	LIST PRICES
<p><b>PN</b> <b>Peninsula Cabinet</b></p>	 <p>pictured: B27 peninsula cabinet</p>	<p>1.5 x cab. *</p>
<p><b>WEP</b> <b>Factory Installed Wall End Panels</b> <i>For loose WEPs - see Wall Section</i></p> <p><b>BEP</b> <b>Factory Installed Base End Panels</b> <i>For loose BEP - see Base Section</i></p>	 <p>pictured: W1230 Wall End Panel (WEP)</p>	<p>cab + WEP + \$90</p> <p>cab + BEP + \$90</p>
<p><b>FDS</b> <b>Install Full Depth Shelf</b> in a base cabinet</p> <p><i>Does not extend lead time.</i></p>	 <p>pictured: B24-2 installed full depth shelf</p>	<p>cab + 100</p>
<p><b>2SH</b> <b>Install Second Shelf</b> in a base cabinet</p> <p><i>Does not extend lead time.</i></p>	 <p>pictured: B24-2 installed second shelf</p>	<p>cab + 100</p>
<p><b>PG</b> <b>Prep for Glass - remove center panel in one door</b></p> <p>or <b>PG2</b> (2 doors)</p>	 <p>pictured: W1230 Prep for Glass</p>	<p>cab + 163 (1 door)</p> <p>cab + 327 (2 doors)</p>

MOD. CODES & DESCRIPTIONS	EXAMPLE	LIST PRICES
<p><b>BD</b>  <b>Reversed Base Cabinet</b>  with drawer at the bottom  of the cabinet</p>	 <p>pictured: B21 reversed base cabinet (drawer at the bottom)</p>	<p>cab + 417</p>
<p><b>Finished Ends</b>  (cost per side)</p>	 <p>pictured: B15 finished left and W1230 finished left</p>	<p>cab + 53 (wall)  cab + 73 (base)  cab + 183 (tall)</p>
<p><b>1DRW</b>  <b>Convert 2 drawers to 1 drawer</b>  (only available on 30", 33", &amp; 36"  base cabinets)</p>	 <p>pictured: B33- 2 drawers converted to 1 drawer</p>	<p>cab + 333</p>
<p><b>SB</b>  <b>Sink Base</b>  Converts Top Drawer to False  Front in Drawer Base or Vanity  Drawer Base</p>	 <p>pictured: VDB- top drawer converted to false front</p>	<p>cab + 0  (no additional  charge)</p>

SUMMARY MODIFICATIONS & SUGGESTED LIST PRICES		
MOD. CODES	DESCRIPTIONS	LIST PRICES
RD	Reduce Depth of cabinet base (12" minimum); wall (4" minimum) - 1" increments Reduce Depth of roll out tray	cab + 300 cab + 500 (talls & bases) ROT+167
ID	Increase Depth of wall and vanity cabinet (24" maximum); bookcase (18" maximum) - 1" increments	cab + 657 (wall & vanity) 1.5 x cab (bookcase)
BTKR or L or B	Recess Toe Kick on Right or Left or Back of base, pantry, or vanity cabinet	cab + 283
BTKRL	Recess Toe Kick on Right and Left of base, pantry, or vanity cabinet	cab + 417
BTKN	Toe Kick Removed from base, pantry, or vanity cabinet (height less 4½")	cab + 450
WTKF	Add Toe Kick to Wall Cabinet with Toe Kick Space at Front only (height plus 4½")	cab + 417
WTKR or L	Add Toe Kick to Wall Cabinet with Toe Kick Space to Right or Left (height plus 4½")	cab + 417
WTKRL	Add Toe Kick to Wall Cabinet with Toe Kick Space to Right and Left (height plus 4½")	cab + 483
WTKFR or L	Add Toe Kick to Wall Cabinet with Toe Kick Space to Front and Right or Left (height plus 4½")	cab + 483
WTKFRL	Add Toe Kick to Wall Cabinet with Toe Kick Space to Front, Right, and Left (height plus 4½")	cab + 550
TP #	Face Frame Only - face frame, drawer front(s), and door(s) only	75% x cab. *
BO #	Box Only	60% x cab. *
NOFRONTS#	No Doors/Drawer Fronts - includes hardware, shelves and drawer	85% x cab. *
FI	Cabinet with Finished Interior	cab + 420
FIT	Tall Cabinet with Finished Interior	533
PCR or L	Pipe Chase Cut-Out on Right or Left Corner (width x depth)	cab + 983
PCM	Pipe Chase Cut-Out in Middle (width x depth, location)	cab +1,250
ESR or L	Install Extended Stile on Right or Left side of cabinet (Adds 1.5" or 3" to either side) Field Trimmable	1.5" ext. = cab + 417 3" ext. = cab + 483
ESRL	Install Extended Stile on Right and Left sides of cabinet (Adds 3" to both sides) Field Trimmable	1.5" ext. = cab + 834 3" ext. = cab + 966
PN	Peninsula Cabinet	1.5 x cab. *
WEP or BEP	Factory Applied Wall or Base Panels	cab + WEP/BEP + 90
FDS #	Install Full Depth Shelf in a base cabinet	cab + 100
2SH #	Install Second Shelf in a base cabinet	cab + 100
PG	Prep for Glass - remove center panel in door	cab + 163
BD	Reversed Base Cabinet with drawer at the bottom of the cabinet	cab + 417

NOTE: Modifications extend lead times, except modifications noted with "#".

(continued on next page)

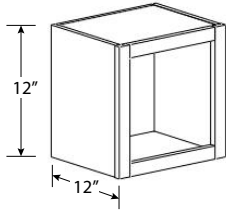
<b>SUMMARY MODIFICATIONS &amp; SUGGESTED LIST PRICES</b> <i>(continued)</i>		
<b>MOD. CODES</b>	<b>DESCRIPTIONS</b>	<b>LIST PRICES</b>
<b>FINISHED END</b>	<b>Finished Ends</b> (cost per side)	cab + 53 (wall) cab + 73 (base) cab + 183 (tall)
<b>1DRW</b>	Converts 2 drawers to 1 drawer, Only available for 30", 33", 36"	cab + \$333
<b>SB</b>	Converts top drawer to false front (DBs or VDBs)	No Charge

**NOTE:** Modifications extend lead times, except modifications noted with "#".



# WALL CABINETS

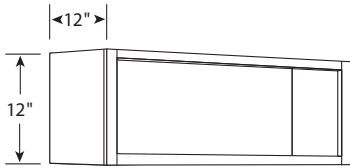
## Wall Cabinet 12" High, 1 Doors



	1	2	3	4	5
W1212	144	151	157	164	170
W1512	171	178	186	194	202
W1812	193	201	210	219	228
W2112	215	224	234	244	254

- No Shelf
- Not Available in Hampton Door Styles

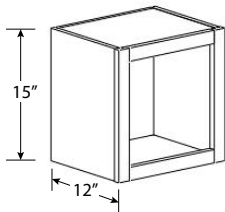
## Wall Cabinet 12" High, 2 Doors



	1	2	3	4	5
W2412	242	253	264	275	286
W2712	271	283	295	308	320
W3012	326	340	355	370	385
W3312	349	365	380	396	412
W3612	372	389	406	423	439
W3912	362	378	395	411	428
W4212	404	422	440	459	477
W361224 (24" Deep)	446	466	486	506	527

- No Shelf

## Wall Cabinet 15" High, 1 Door

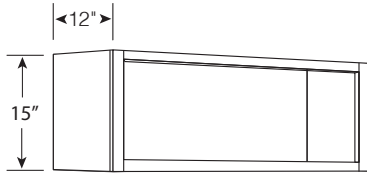


	1	2	3	4	5
W1215	144	151	157	164	170
W1515	171	178	186	194	202
W1815	193	201	210	219	228
W2115	215	224	234	244	254

- No Shelf
- Not Available in Hampton Door Styles

# WALL CABINETS

## Wall Cabinet 15" High, 2 Doors



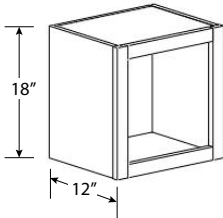
	1	2	3	4	5
W2415 <sup>#</sup>	242	253	264	275	286
W2715 <sup>#</sup>	271	283	295	308	320
W3015	326	340	355	370	385
W3315	349	365	380	396	412
W3615	372	389	406	423	439
W3915 <sup>#</sup>	362	378	395	411	428
W4215* <sup>#</sup>	404	422	440	459	477

- No Shelf

\* Has 3" Center Stile

<sup>#</sup> Not Available in Hampton Door Styles

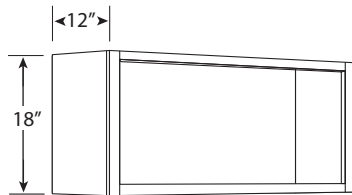
## Wall Cabinet 18" High, 1 Doors



	1	2	3	4	5
W1218	213	223	233	243	252
W1518	231	242	252	263	273
W1818	250	261	272	284	295
W2118	270	282	294	306	319

- No Shelf

## Wall Cabinet 18" High, 2 Doors

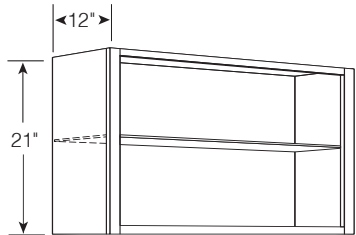


	1	2	3	4	5
W2418	295	308	322	335	348
W2718	323	338	353	368	382
W3018	353	369	385	401	417
W3318	384	401	419	436	454
W3618	415	434	452	471	490
W3918	448	468	488	508	529
W4218	484	506	528	550	572
W361824 (24" Deep)	508	531	554	578	601

- No Shelf

# WALL CABINETS

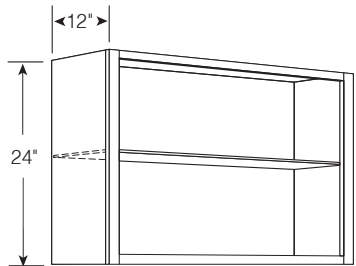
## Wall Cabinet 21" High, 2 Doors



	1	2	3	4	5
W3021	438	458	478	498	517

- One Shelf

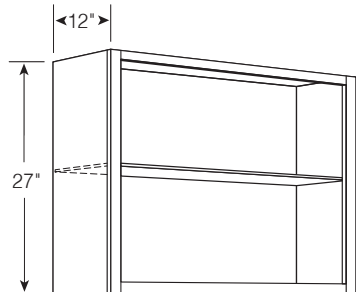
## Wall Cabinet 24" High, 2 Doors



	1	2	3	4	5
W3024	475	497	518	540	562
W3324	462	483	504	525	546
W3624	546	570	595	620	645

- One Shelf

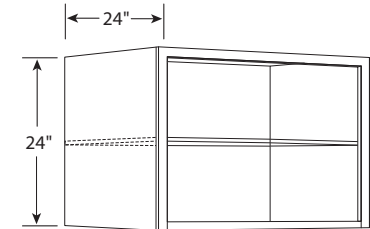
## Wall Cabinet 27" High, 2 Doors



	1	2	3	4	5
W3027	512	535	558	581	605

- One Shelf

## Wall Cabinet 24" High X 24" Deep, 2 Doors

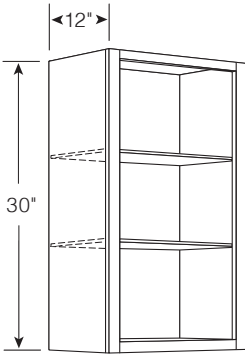


	1	2	3	4	5
W362424	715	748	780	813	845

- One Shelf  
- Refrigerator Cabinet

# WALL CABINETS

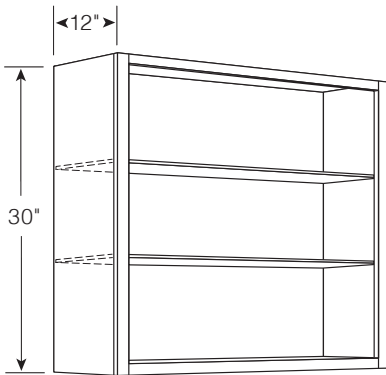
## Wall Cabinet 30" High, 1 Door



	1	2	3	4	5
<b>W0930</b>	252	263	275	286	298
<b>W1230</b>	288	301	314	328	341
<b>W1530</b>	340	355	371	386	402
<b>W1830</b>	385	403	420	438	455
<b>W2130</b>	429	449	468	488	507

- Two Shelves

## Wall Cabinet 30" High, 2 Doors

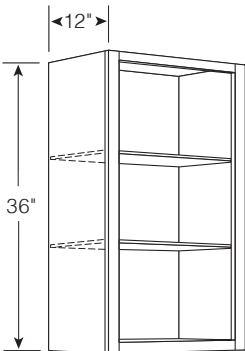


	1	2	3	4	5
<b>W2430-2</b>	484	506	528	550	572
<b>W2730</b>	542	567	592	616	641
<b>W3030</b>	570	596	622	648	673
<b>W3330</b>	631	660	689	718	746
<b>W3630</b>	680	711	742	773	803
<b>W3930</b>	724	757	790	823	855
<b>W4230*</b>	807	844	881	918	954

- Two Shelves

\* Has 3" Center Stile

## Wall Cabinet 36" High, 1 Door

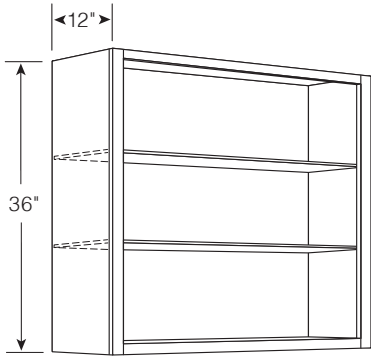


	1	2	3	4	5
<b>W0936</b>	299	313	326	340	354
<b>W1236</b>	348	363	379	395	411
<b>W1536</b>	398	416	434	453	471
<b>W1836</b>	448	468	488	509	529
<b>W2136</b>	499	522	545	568	590

- Two Shelves

# WALL CABINETS

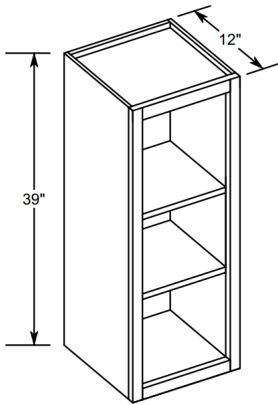
## Wall Cabinet 36" High, 2 Doors



	1	2	3	4	5
W2436-2	567	592	618	644	670
W2736	633	661	690	719	748
W3036	699	730	762	794	826
W3336	765	799	834	869	904
W3636	831	868	906	944	982
W3936	897	937	978	1,019	1,060
W4236 *	963	1,006	1,050	1,094	1,138

- Two Shelves  
\* Has 3" Center Stile

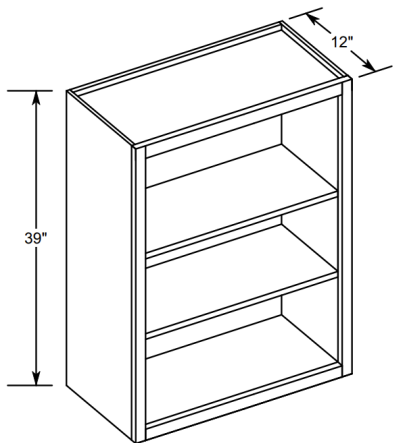
## Wall Cabinet 39" High, 1 Door



	1	2	3	4	5
W0939	323	338	353	368	382
W1239	375	392	409	426	443
W1539	431	451	470	490	510
W1839	485	507	529	551	573
W2139	541	566	590	615	640

- Two Shelves

## Wall Cabinet 39" High, 2 Doors

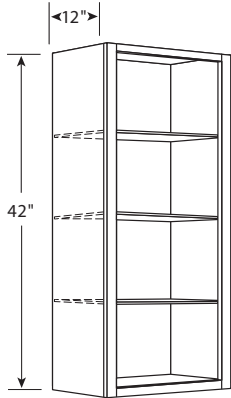


	1	2	3	4	5
W2439-2	624	652	680	709	737
W2739	686	718	749	780	811
W3039	749	783	817	851	885
W3339	812	849	886	923	959
W3639	875	914	954	994	1,034
W3939	937	980	1,022	1,065	1,108
W4239	1,000	1,045	1,091	1,136	1,182

- Two Shelves

# WALL CABINETS

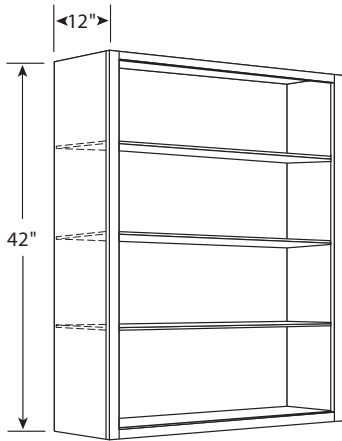
## Wall Cabinet 42" High, 1 Door



	1	2	3	4	5
<b>W0942</b>	348	363	379	395	411
<b>W1242</b>	403	421	439	458	476
<b>W1542</b>	463	484	505	526	547
<b>W1842</b>	521	545	569	593	616
<b>W2142</b>	582	608	635	661	688

- Three Shelves

## Wall Cabinet 42" High, 2 Doors

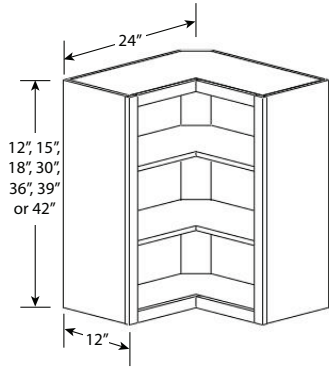


	1	2	3	4	5
<b>W2442-2</b>	680	711	742	773	803
<b>W2742</b>	740	774	808	841	875
<b>W3042</b>	799	835	871	908	944
<b>W3342</b>	859	898	937	976	1,015
<b>W3642</b>	919	960	1,002	1,044	1,086

- Three Shelves

# CORNER CABINETS

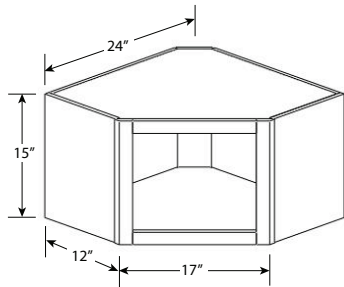
## Easy Reach Corner Wall Cabinet, 24" Wide



	1	2	3	4	5
ERCW2412 (0)	645	674	703	733	762
ERCW2415 (0)	710	742	774	806	839
ERCW2418 (0)	781	817	852	888	923
ERCW2430 (2)	845	883	922	960	998
ERCW2436 (2)	910	951	992	1,034	1,075
ERCW2439 (2)	958	1,002	1,045	1,089	1,132
ERCW2442 (3)	1,005	1,051	1,097	1,143	1,188

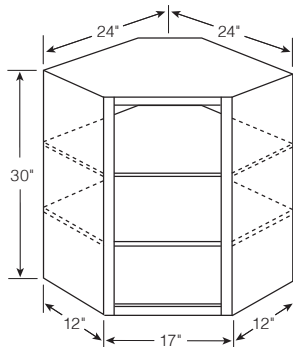
- Double Hinged Doors
- Not Available in Hampton
- (# of shelves)

## Corner Wall Cabinet 15" High, 1 Door



	1	2	3	4	5
CW2415	326	340	355	370	385

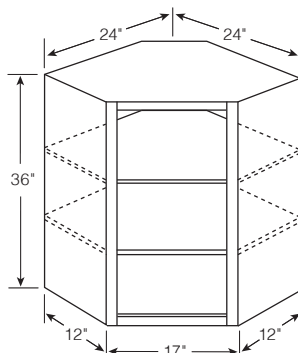
## Corner Wall Cabinet 30" High, 1 Door



	1	2	3	4	5
CW2430	652	682	712	741	771

- Two Shelves

## Corner Wall Cabinet 36" High, 1 Door

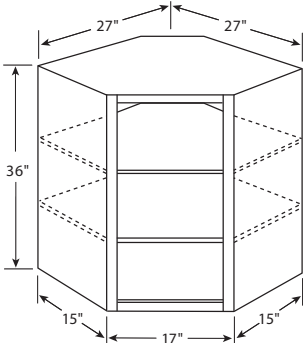


	1	2	3	4	5
CW2436	703	735	767	799	831

- Two Shelves

# CORNER WALL CABINETS

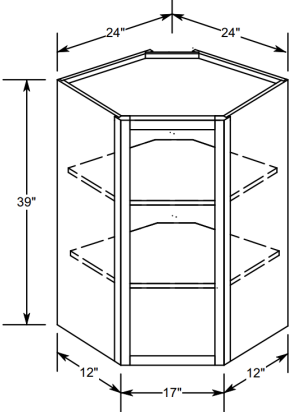
Corner Wall Cabinet 36" High x 15" Deep, 1 Door



	1	2	3	4	5
CW2736	811	848	884	921	958

- Two Shelves

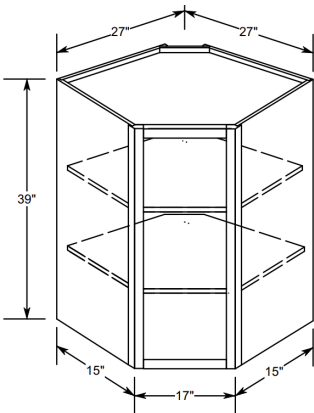
Corner Wall Cabinet 39" High, 1 Door



	1	2	3	4	5
CW2439	770	805	840	875	910

- Two Shelves

Corner Wall Cabinet 39" High x 15" Deep, 1 Door



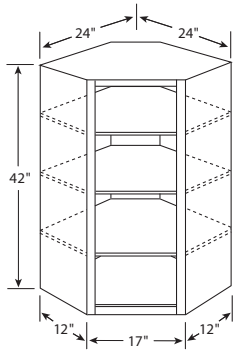
	1	2	3	4	5
CW2739	969	1,013	1,057	1,101	1,145

- Two Shelves



# CORNER WALL CABINETS

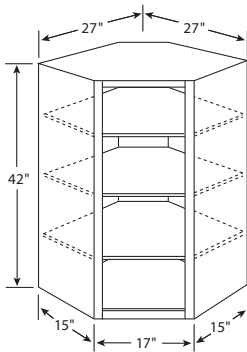
## Corner Wall Cabinet 42" High, 1 Door



	1	2	3	4	5
CW2442	836	874	912	950	988

- Three Shelves

## Corner Wall Cabinet 42" High x 15" Deep, 1 Door

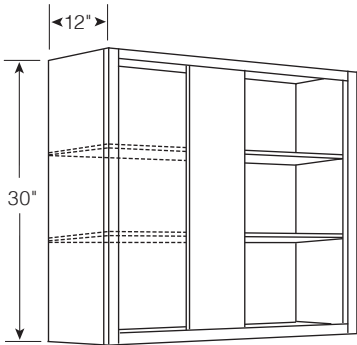


	1	2	3	4	5
CW2742	1,126	1,178	1,229	1,280	1,331

- Three Shelves

# BLIND WALL CABINETS

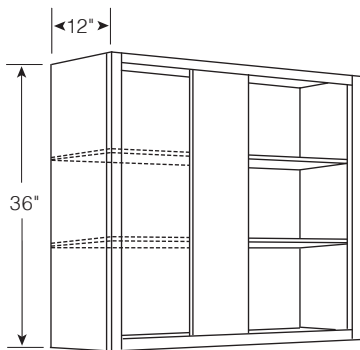
## Blind Wall Cabinet 30" High, 1 Door



	1	2	3	4	5
<b>BW2430</b>	504	527	550	573	595
<b>BW3030</b>	594	621	648	675	702
<b>BW3630</b>	683	714	745	776	807

- Two Shelves
- Choose Side to Hinge Door
- Stile = 4¾" wide
- Shown: Blind Right with Door on Left

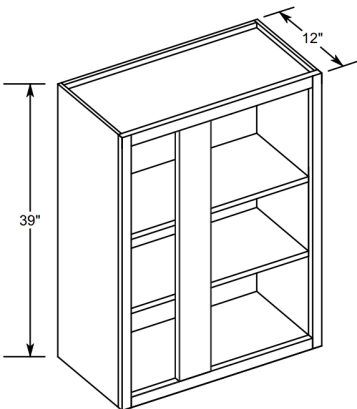
## Blind Wall Cabinet 36" High, 1 Door



	1	2	3	4	5
<b>BW2436</b>	586	613	640	666	693
<b>BW3036</b>	686	718	749	780	811
<b>BW3636</b>	789	825	860	896	932

- Two Shelves
- Choose Side to Hinge Door
- Stile = 4¾" wide
- Shown: Blind Right with Door on Left

## Blind Wall Cabinet 39" High, 1 Door

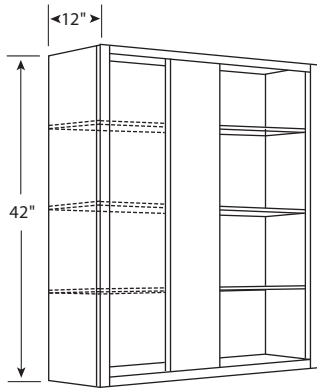


	1	2	3	4	5
<b>BW2439</b>	637	666	695	724	753
<b>BW3039</b>	747	781	815	849	883
<b>BW3639</b>	897	937	978	1,019	1,060

- Two Shelves
- Choose Side to Hinge Door
- Stile = 4¾" wide
- Shown: Blind Right with Door on Left

# BLIND WALL CABINETS

## Blind Wall Cabinet 42"High, 1 Door



	1	2	3	4	5
BW2442	686	718	749	780	811
BW3042	807	844	881	918	954
BW3642	1,004	1,050	1,096	1,141	1,187

- Three Shelves
- Choose Side to Hinge Door
- Stile = 4¾" wide
- Shown: Blind Right with Door on Left

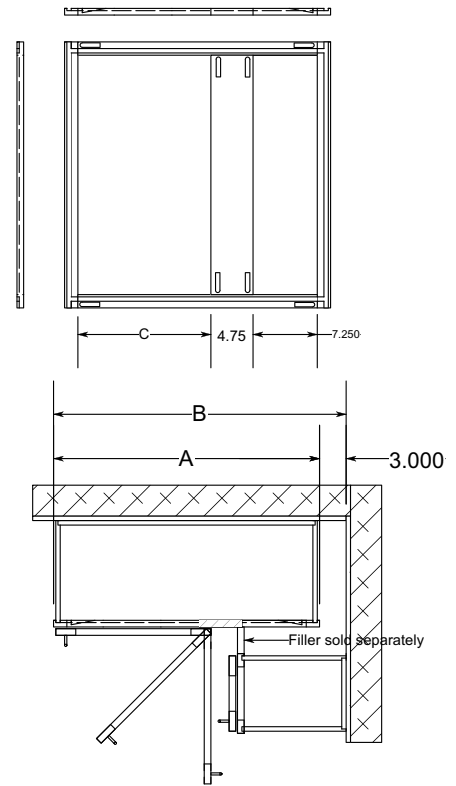
## Blind Wall Cabinet Installation Recommendations

By Width

Cabinet SKU	Actual Cabinet Width (A)	Recommended Install Spacing from Wall (B)	Door opening width (C)
BW24XX	24"	27"	9"
BW30XX	30"	33"	15"
BW36XX	36"	39"	21"

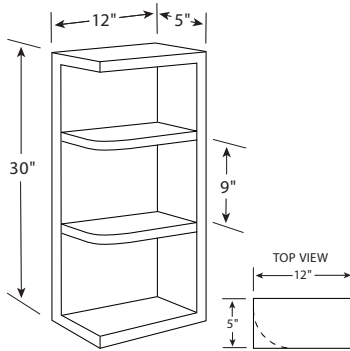
ORDER FILLER SEPARATELY

MEASUREMENTS BASED ON DESIGN USING A 4¾" VERTICAL IN FACE FRAME



# SPECIALTY WALL CABINETS

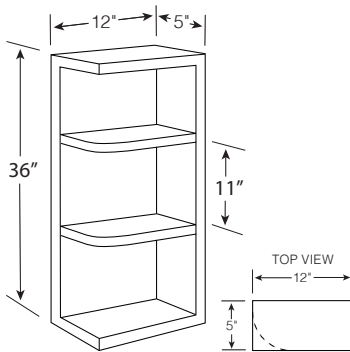
## Wall Cabinet 30" High, 1/4 Round Shelves



	1	2	3	4	5
<b>WQR630</b>	164	171	179	186	194

- Two Fixed Shelves

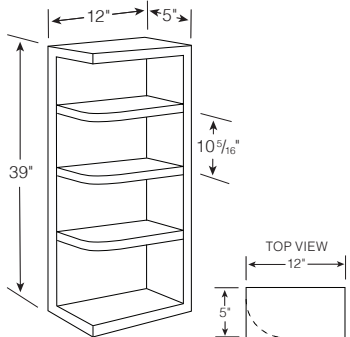
## Wall Cabinet 36" High, 1/4 Round Shelves



	1	2	3	4	5
<b>WQR636</b>	190	199	208	216	225

- Two Fixed Shelves

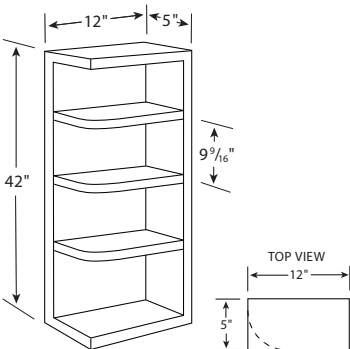
## Wall Cabinet 39" High, 1/4 Round Shelves



	1	2	3	4	5
<b>WQR639</b>	204	213	222	231	241

- Three Fixed Shelves

## Wall Cabinet 42" High, 1/4 Round Shelves

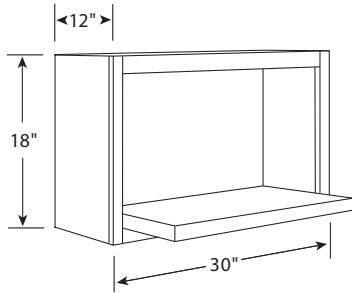


	1	2	3	4	5
<b>WQR642</b>	216	225	235	245	255

- Three Fixed Shelves

# SPECIALTY WALL CABINETS

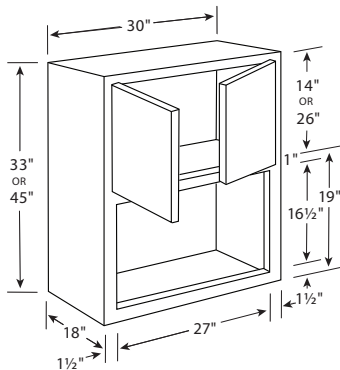
## Microwave Wall Cabinet 18" High



	1	2	3	4	5
<b>MWS3018X12</b>	294	307	320	334	347

- Shelf is 17" Deep
- Opening Dimensions: 27" W x 14¼" H x 17" D
- Finished Interior and Exterior is Standard

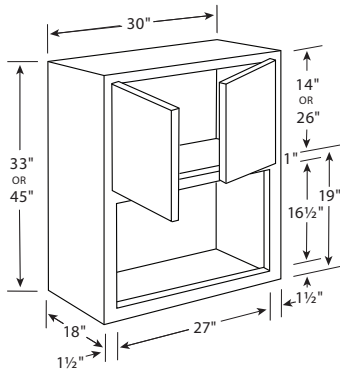
## Microwave Wall Cabinet 33" High



	1	2	3	4	5
<b>WMW303318</b>	823	860	898	935	972

- Supplied with an Overlay Face Frame
- Opening Dimensions: 25" W x 14¾" H Trimmable
- Finished Interiors and Finished Ends are not Standard and Must be Specified if Desired.

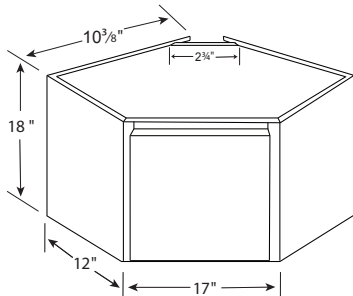
## Microwave Wall Cabinet 45" High



	1	2	3	4	5
<b>WMW304518</b>	1,170	1,224	1,277	1,330	1,383

- Supplied with an Overlay Face Frame
- Opening Dimensions: 25" W x 14¾" H Trimmable
- Finished Interiors and Finished Ends are not Standard and Must be Specified if Desired.

## Diagonal Appliance Garage

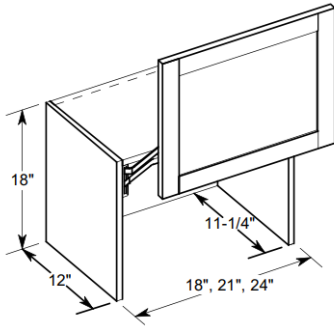


	1	2	3	4	5
<b>ADAG2418</b>	311	325	340	354	368

- Single Door Hinged to Side Stile
- No Bottom Panel, No Under Rail
- Matches CW24 (Length & Width)
- Finished Exterior is Standard

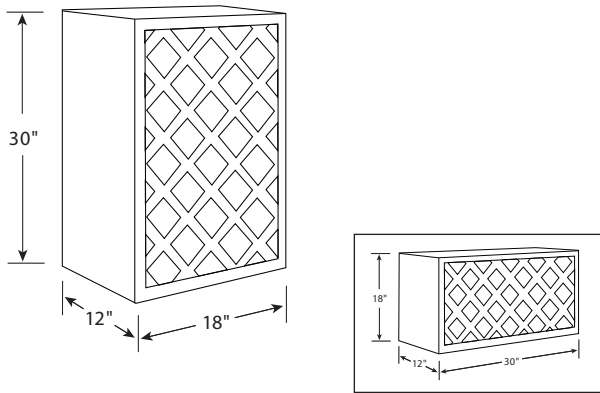
# SPECIALTY WALL CABINETS

## Appliance Garage with Lift Up Door



	1	2	3	4	5
AG1818	1048	1096	1144	1191	1239
AG2118	1066	1114	1163	1211	1260
AG2418	1085	1134	1183	1233	1282

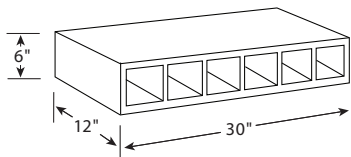
## Wall Wine Racks



	1	2	3	4	5
WR1830	561	587	612	638	663
WR3018	543	568	593	618	642

- Holds 18 to 20 Bottles
- Finished Interior is Standard

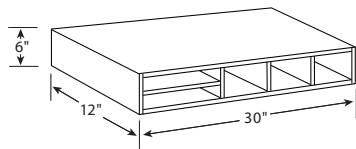
## Wine Cubbies



	1	2	3	4	5
WCU30	229	239	250	260	270

- Can be Installed Vertically or Horizontally
- Made of 3/4" Veneer Plywood for Interiors
- Finished to Match and Front Edges Banded

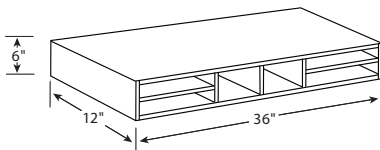
## Wall Organizers & Shelves, 30" Wide



	1	2	3	4	5
WO306	229	239	250	260	270

- Opening Widths are: 10 1/2" and 5 1/4"
- Made of 3/4" Veneer Plywood for Interiors
- Finished to Match and Front Edges Banded

## Wall Organizers & Shelves, 36" Wide

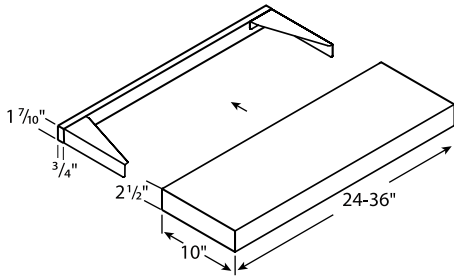


	1	2	3	4	5
WO366	248	259	270	281	293

- Opening Widths are: 10 1/2" and 5 1/2"
- Made of 3/4" Veneer Plywood for Interiors
- Finished to Match and Front Edges Banded

# SPECIALTY WALL CABINETS

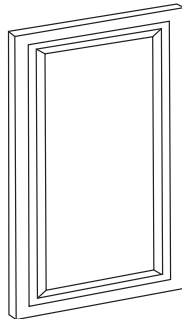
## Floating Shelf



	Stains	Paints
SHELFFLOAT24	438	460
SHELFFLOAT30	459	482
SHELFFLOAT36	502	527
SHELFFLOAT42	547	574
SHELFFLOAT48	596	626
SHELFFLOAT54	650	683
SHELFFLOAT60	709	744

- Comes with Installation Bracket
- Cannot be Modified

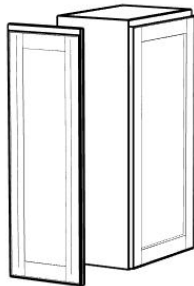
## Wall End Panel Doors (Loose Decorative Door)



	1	2	3	4	5
WEP1212 (12"x 12")	102	107	112	116	121
WEP1215 (12"x 15")	110	115	120	125	130
WEP1218 (12"x 18")	118	123	128	134	139
WEP1230 (12"x 30")	160	167	174	181	189
WEP1236 (12"x 36")	191	200	209	218	226
WEP1239 (12" x 39")	206	215	224	234	243
WEP1242 (12"x 42")	219	229	239	249	259

- WEPs Match Door
- Reveals - 1/2" Less Width and 1/4" Less Height
- Cabinet Side that is Receiving WEP must be Finished or Purchase Skin Separately if Installing in the Field

## Wall End Panel Kits

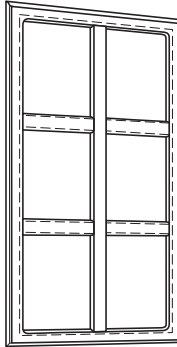


	1	2	3	4	5
WEK1230	263	275	287	299	311
WEK1236	321	336	350	365	380
WEK1242	361	377	394	410	425

- Not Installed
- Kits Include WEP and Finished Skin
- Cabinet purchased separately

# SPECIALTY WALL CABINETS

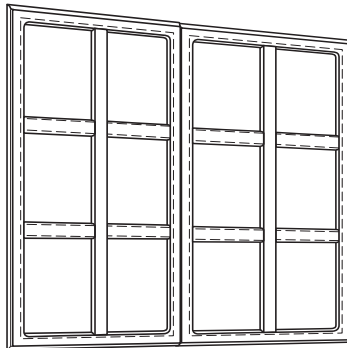
## Mullion Doors- 1 Door



	Stains	Paints
MULLCW2430	169	177
MULLCW2436	204	214
MULLCW2442	239	251
MULLCW2736	204	214
MULLCW2742	239	251
MULLW1530	169	177
MULLW1536	204	214
MULLW1542	239	251
MULLW1830	204	214
MULLW1836	247	259
MULLW1842	289	303

- Glass Not Supplied
- See Online Order Site for Available Colors/Styles
- See Prep for Glass Doors for Additional Options
- Available for Hampton door styles only
- While Supplies Last

## Mullion Doors- 2 Doors



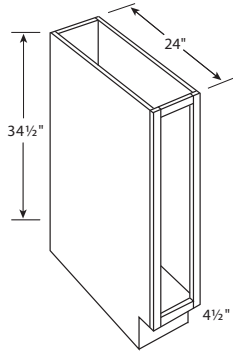
	Stains	Paints
MULLW2430-2	272	286
MULLW2436-2	329	345
MULLW2442-2	386	405
MULLW3030	342	359
MULLW3036	414	435
MULLW3042	485	509
MULLW3630	412	433
MULLW3636	498	523
MULLW3642	584	613

- Glass Not Supplied
- See Online Order Site for Available Colors/Styles
- See Prep for Glass Doors for Additional Options
- Available for Hampton door styles only
- While Supplies Last



# BASE CABINETS

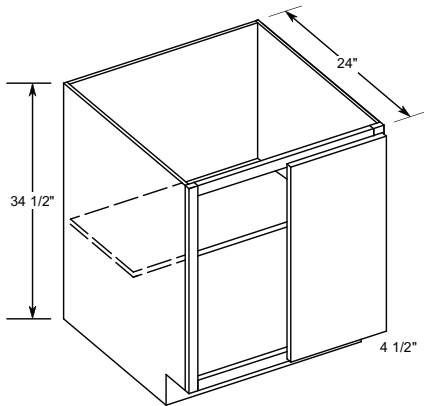
## Base Cabinet Full Height Single Door



	1	2	3	4	5
B09FHD	318	332	347	361	376
B12FHD	505	528	551	574	597
B15FHD	552	577	602	628	653
B18FHD	604	631	659	686	714
B21FHD	656	685	715	745	775

- No Shelf

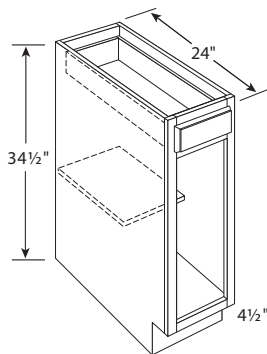
## Base Cabinet Full Height, 2 Doors



	1	2	3	4	5
B24FHD	725	758	791	824	857
B27FHD	778	813	848	884	919
B30FHD	799	835	871	908	944
B33FHD	842	880	918	956	995
B36FHD	890	930	971	1,011	1,052
B39FHD	937	980	1,022	1,065	1,108
B42FHD**	982	1,027	1,072	1,116	1,161

\*\* Will Have Center Stile

## Base Cabinet, 1 Drawer & 1 Door

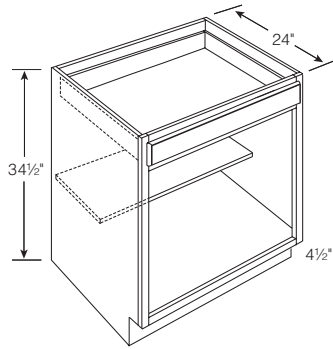


	1	2	3	4	5
B12	531	555	580	604	628
B15	581	607	634	660	686
B18	636	665	694	723	751
B21	690	721	752	784	815

- Can be Modified for Fixed Front

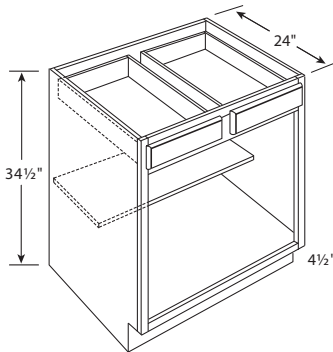
# BASE & SINK BASE CABINETS

## Base Cabinet, 1 Drawer & 2 Doors



	1	2	3	4	5
<b>B24</b>	763	798	833	868	902
<b>B27</b>	818	856	893	930	967
<b>B30-1</b>	840	879	917	955	993
<b>B33-1</b>	886	926	966	1,006	1,047
<b>B36-1</b>	937	980	1,022	1,065	1,108

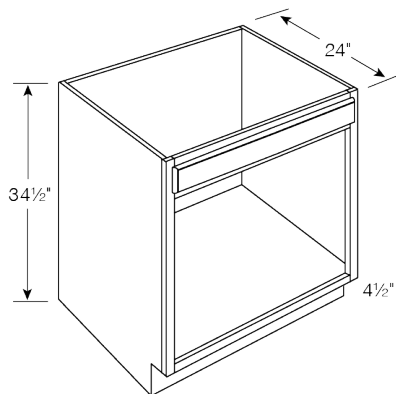
## Base Cabinet, 2 Drawers & 2 Doors



	1	2	3	4	5
<b>B30</b>	840	879	917	955	993
<b>B33</b>	886	926	966	1,006	1,047
<b>B36</b>	937	980	1,022	1,065	1,108
<b>B39</b>	987	1,032	1,076	1,121	1,166
<b>B42 **</b>	1,034	1,081	1,128	1,175	1,222

\*\* Will Have Center Stile

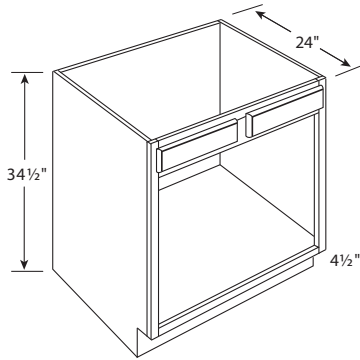
## Sink Base Cabinet, 1 Drawer Front, 2 Doors



	1	2	3	4	5
<b>SB24</b>	604	631	659	686	714
<b>SB27</b>	616	644	672	700	728
<b>SB30-1</b>	636	665	694	723	751
<b>SB33-1</b>	673	704	734	765	796
<b>SB36-1</b>	716	749	781	814	846

# SINK BASE CABINETS

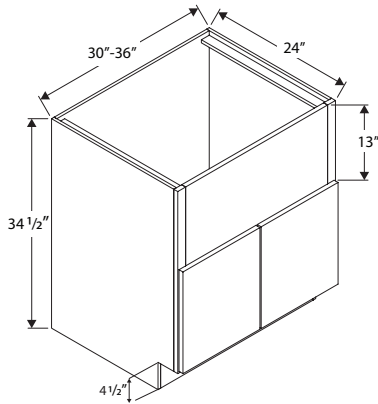
## Sink Base Cabinet, 2 Drawer Fronts, 2 Doors



	1	2	3	4	5
SB30	636	665	694	723	751
SB33	673	704	734	765	796
SB36	716	749	781	814	846
SB42 **	796	833	869	905	941

\*\* Will Have Center Stile

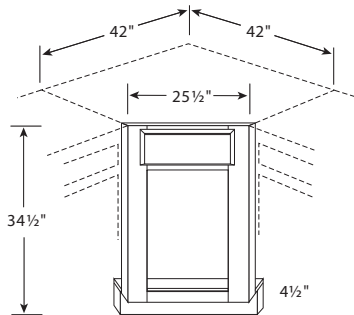
## Farm House Sink Base



	1	2	3	4	5
SBFH30	954	997	1,040	1,084	1,127
SBFH33	978	1,022	1,067	1,111	1,156
SBFH36	1,031	1,078	1,124	1,171	1,218

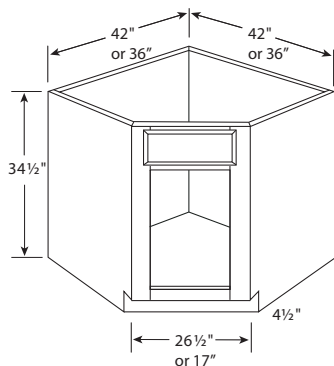
- Apron Can be Cut in Field, to Custom Fit Farm Sink

## Sink Front Cabinet, 1 Door



	1	2	3	4	5
CSF42	396	414	432	450	468

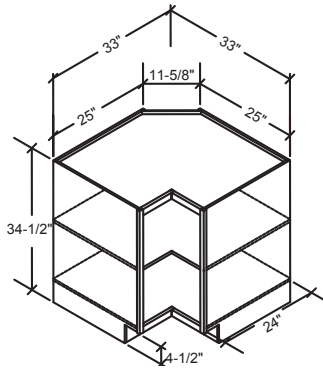
## Corner Sink Base Cabinet, 1 Door



	1	2	3	4	5
DSB36	673	704	734	765	796
DSB42	891	932	972	1,013	1,053

# EASY REACH CABINETS

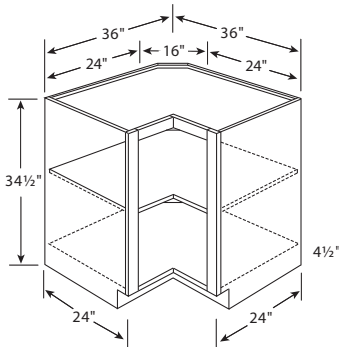
## Easy Reach Corner Base Cabinet, 33" Wide



	1	2	3	4	5
<b>ER33</b>	922	964	1,006	1,048	1,089

- Double Hinged Doors
- One Shelf
- Lazy Susans may be ordered on the Online Order site (under Custom Modification drop-down menu) with free install

## Easy Reach Corner Base Cabinet, 36" Wide

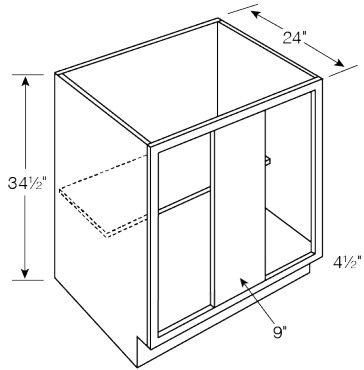


	1	2	3	4	5
<b>ER36</b>	1,155	1,208	1,260	1,313	1,365

- Double Hinged Doors
- One Shelf
- Lazy Susans may be ordered on the Online Order site (under Custom Modification drop-down menu) with free install

# BLIND BASE CABINETS

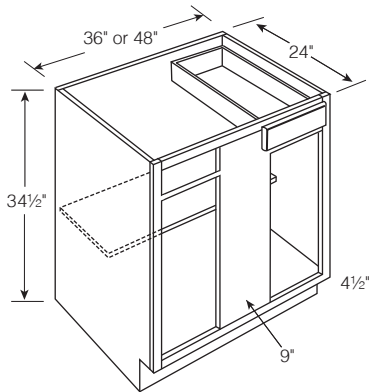
## Blind Base Cabinet, 1 Door & No Drawer



	1	2	3	4	5
BB36 (No Drawer)	631	660	689	718	746
BB42FHD (No Drawer)	895	936	977	1,018	1,058
BB48FHD (No Drawer)	1,043	1,090	1,138	1,185	1,232

- Specify on Order Which Side Receives Door
- Shown: Blind Left with Door on Right

## Blind Base Cabinet, 1 Door & 1 Drawer

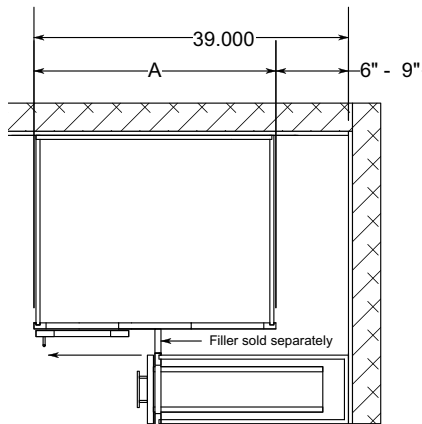


	1	2	3	4	5
BB42	895	936	977	1,018	1,058
BB48	1,043	1,090	1,138	1,185	1,232

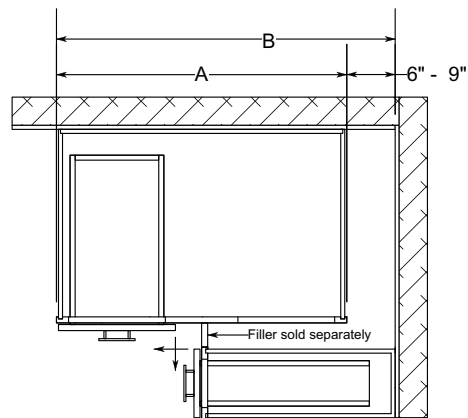
- Specify on Order Which Side Receives Drawer and Door
- Shown: Blind Left with Door and Drawer on Right

## Blind Base Cabinet Installation Recommendations

By Width



BB36 Right installation shown



BB42 & BB48 Right installation shown

Cabinet SKU	Actual Cabinet Width (A)	Recommended Install Spacing from Wall (B)	Door opening width (C)
BB36	30"	39" - 42"	9"
BB42	36"	42" - 45"	12"
BB48	48"	48" - 52"	18"

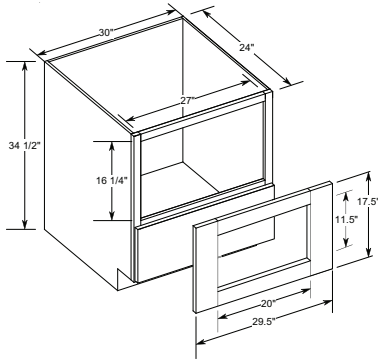
ORDER FILLER SEPARATELY

\*\*FULL-HEIGHT DOOR, NO DRAWER (BB36 ONLY)

9" CENTER STILE

# SPECIALTY BASE CABINETS

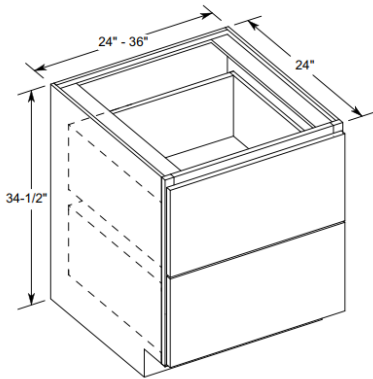
## Base Microwave Cabinet w/Dish Drawer



	1	2	3	4	5
<b>BM30</b>	862	902	941	980	1,019

- 27" Wide Opening
- Drawer Head Height: 11"
- Drawer Box Inside Depth 5½"
- Trimmable Overlay Panel Included
- Finished Interior Not Included

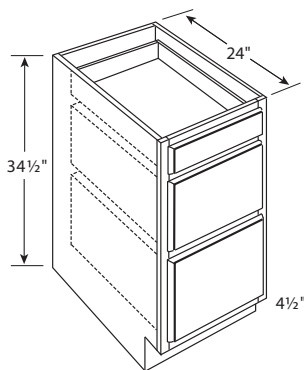
## Drawer Base Cabinet, 2 Drawers



	1	2	3	4	5
<b>DB24-2</b>	1,434	1,500	1,565	1,630	1,695
<b>DB30-2</b>	1,481	1,548	1,615	1,683	1,750
<b>DB36-2</b>	1,669	1,745	1,820	1,896	1,972

- Top Drawer Front Height: 14"
- Bottom Drawer Front Height: 14¼"
- Both Drawers will come standard with 6" tall Drawer Box and Heavy Duty Glides.
- Optional Upgrade to 10½" Tall Drawer Box for \$435 (list price)
- Not available in Dalton or Hampton

## Drawer Base Cabinet, 3 Drawers

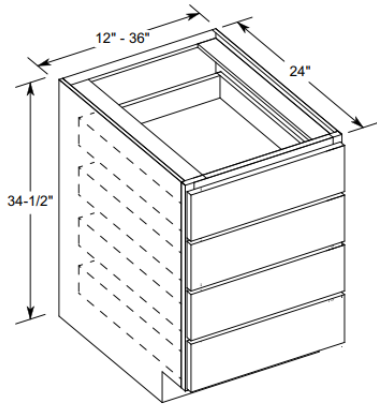


	1	2	3	4	5
<b>DB12-3</b>	597	624	652	679	706
<b>DB15-3</b>	661	691	721	751	781
<b>DB18-3</b>	721	753	786	819	852
<b>DB21-3</b>	783	819	854	890	926
<b>DB24-3</b>	843	881	919	958	996
<b>DB30-3</b>	967	1,011	1,055	1,099	1,143
<b>DB36-3</b>	1,117	1,167	1,218	1,269	1,320

- Single Top Drawer on All Sizes
- Top Drawer Box Height: 4", Inside Drawer Depth 3¼"
- Bottom Drawer Box Height: 6", Inside Drawer Depth 5¼"
- Slab Door Styles Will Have All 3 Slab Drawers

# SPECIALTY BASE CABINETS

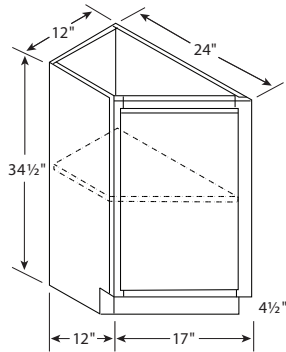
## Drawer Base Cabinet, 4 Drawers



	1	2	3	4	5
DB12-4	1,041	1,088	1,135	1,183	1,230
DB15-4	1,071	1,120	1,169	1,218	1,266
DB18-4	1,187	1,241	1,295	1,349	1,403
DB21-4	1,275	1,333	1,391	1,449	1,507
DB24-4	1,428	1,493	1,558	1,623	1,687
DB30-4	1,590	1,662	1,734	1,806	1,879
DB36-4	1,748	1,827	1,907	1,986	2,066

- Top 3 Drawer Fronts are Standard Height: 6 3/4"
- 4th Drawer Front Height: 7"
- All Drawers will have standard 4" Tall Drawer Box
- Not available in Dalton or Hampton

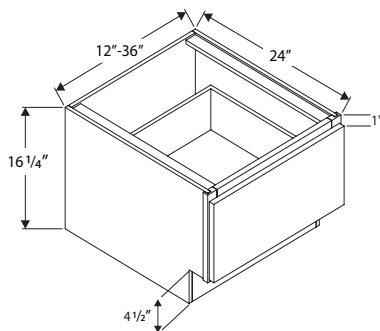
## Transitional Angled Base Cabinet w/ Full Height Door



	1	2	3	4	5
TAB12FHDL	534	558	582	606	631
TAB12FHDR	534	558	582	606	631

- TAB 12FHDL (pictured)
- Hinges on Small side
- Finished Exterior is Standard
- Modification Not Available: Add Toe Kick to Right, Left or Both

## Window Seat Base Cabinet

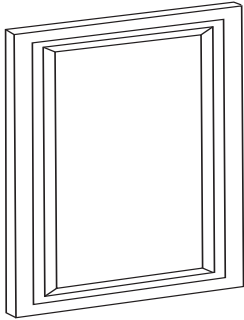


	1	2	3	4	5
BWS12	589	615	642	669	696
BWS15	617	645	673	701	729
BWS18	664	695	725	755	785
BWS21	684	715	746	778	809
BWS24	708	741	773	805	837
BWS30	754	788	822	856	891
BWS36	807	844	881	918	954

- Extended lead times for this SKU

# SPECIALTY BASE CABINETS

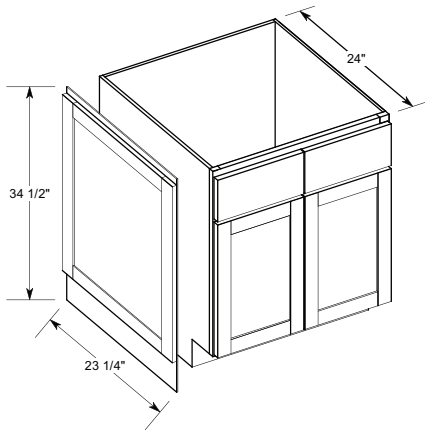
## Base End Panel Door (Loose Decorative Door)



	1	2	3	4	5
<b>BEP2430-1 (24"x 30")</b>	318	332	347	361	376

- BEPs Match Door
- Reveals - 1/2" Less Width and 1 1/4" Less Height
- Cabinet Side that is Receiving BEP must be Finished or Purchase Skin Separately if Installing in the Field

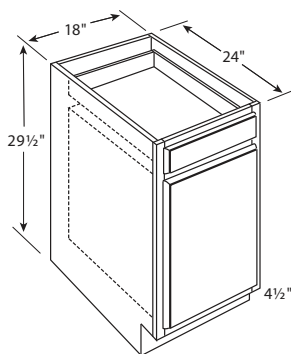
## Base End Panel Kit



	1	2	3	4	5
<b>BEK2430-1LEFT</b>	464	485	506	528	549
<b>BEK2430-1RIGHT</b>	464	485	506	528	549

- Not Installed
- Kits Include BEP and Finished Skin
- Cabinet purchased separately

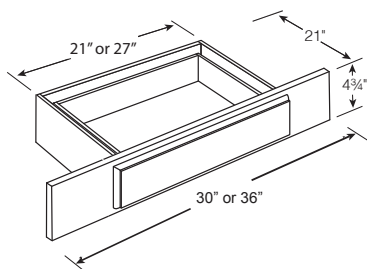
## File Drawer



	1	2	3	4	5
<b>DDB18</b>	725	758	791	824	857

- Standard Top Drawer on Full Overlay Stiles 6 3/4" High, the Sides are 4" High
- Large Bottom Drawer Head on Full Overlay Stiles 16 1/2" High, the Sides are 11 3/8" High

## Vanity Lap Drawer



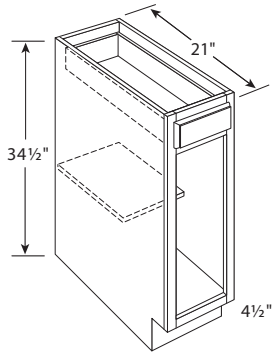
	1	2	3	4	5
<b>KD30</b>	426	445	464	484	503
<b>KD36</b>	518	542	565	589	612

- Drawer Head is Slab with Edge Profile
- Trimmable 3" Stile Each Side of Drawer
- Each Drawer can be Trimmable up to 6"



# VANITY BASE CABINETS

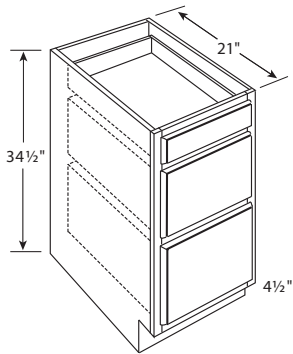
## Vanity Base Cabinet



	1	2	3	4	5
<b>VB12</b>	498	521	544	566	589
<b>VB15</b>	548	573	598	623	647
<b>VB18</b>	600	627	654	681	709

- 21" Deep
- One Shelf

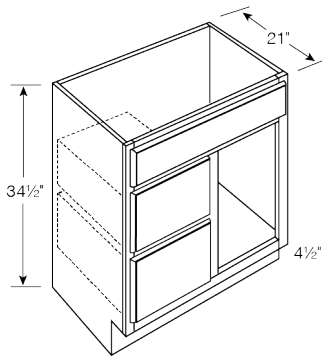
## Vanity Drawer Base Cabinet



	1	2	3	4	5
<b>VDB12</b>	534	558	582	606	631
<b>VDB15</b>	598	626	653	680	707
<b>VDB18</b>	657	687	716	746	776
<b>VDB21</b>	715	748	780	813	845
<b>VDB24</b>	774	810	845	880	915

- 21" Deep
- Slab Door Styles Will Have All 3 Slab Drawers

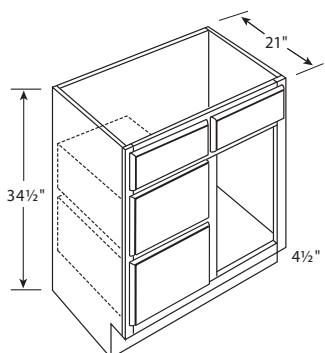
## Vanity Sink Base Cabinet, 2 Left Drawers & 1 Door



	1	2	3	4	5
<b>VSDL30-1</b>	795	831	868	904	940
<b>VSDL36-1</b>	886	926	966	1,006	1,047

- 21" Deep
- One False Drawer Heads
- Slab Door Styles Will Have All 4 Slab Drawers

## Vanity Sink Base Cabinet, 2 Left Drawers & 1 Door

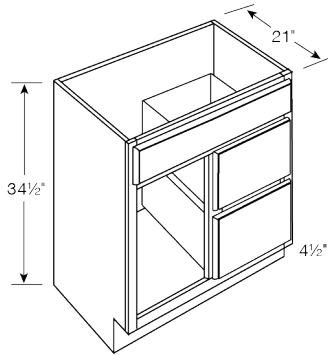


	1	2	3	4	5
<b>VSDL30</b>	795	831	868	904	940
<b>VSDL36</b>	886	926	966	1,006	1,047

- 21" Deep
- Two False Drawer Heads
- Slab Door Styles Will Have All 4 Slab Drawers

# VANITY BASE CABINETS

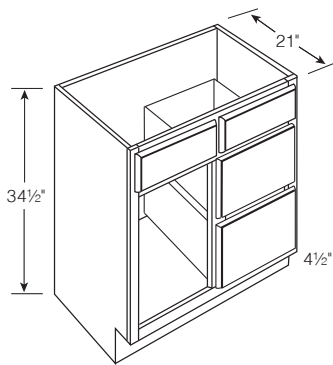
## Vanity Sink Base Cabinet, 2 Right Drawers & 1 Door



	1	2	3	4	5
VSDR30-1	795	831	868	904	940
VSDR36-1	886	926	966	1,006	1,047

- 21" Deep
- One False Drawer Heads
- Slab Door Styles Will Have All 4 Slab Drawers

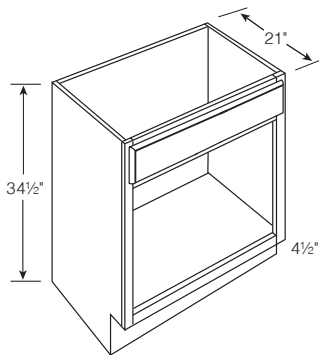
## Vanity Sink Base Cabinet, 2 Right Drawers & 1 Door



	1	2	3	4	5
VSDR30	795	831	868	904	940
VSDR36	886	926	966	1,006	1,047

- 21" Deep
- Two False Drawer Heads
- Slab Door Styles Will Have All 4 Slab Drawers

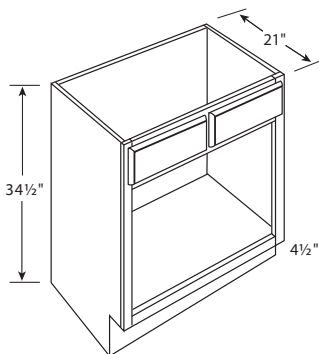
## Vanity Sink Base Cabinet, 2 Doors



	1	2	3	4	5
V24	519	543	566	590	614
V27	561	587	612	638	663
V30-1	611	638	666	694	722
V33-1	648	677	707	736	766
V36-1	690	721	752	784	815

- 21" Deep
- One False Drawer Head

## Vanity Sink Base Cabinet, 2 Doors

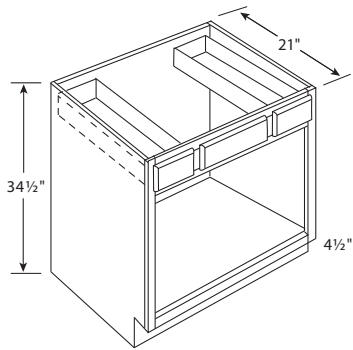


	1	2	3	4	5
V30	611	638	666	694	722
V33	648	677	707	736	766
V36	690	721	752	784	815
V42**	768	803	838	873	907

- 21" Deep
- Two False Drawer Heads
- \*\* Will Have Center Stile

# VANITY BASE CABINETS

## Vanity Sink Base Cabinet, 2 Drawers & 2 Doors



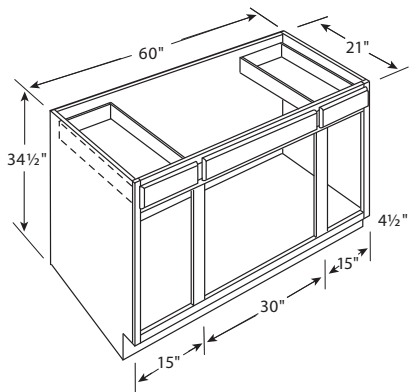
	1	2	3	4	5
VSB36 *	850	889	928	966	1,005
VSB42 **	958	1,002	1,045	1,089	1,132
VSB48 **	1,043	1,090	1,138	1,185	1,232

- 21" Deep
- VSB36 has 10" Wide Drawer Fronts
- VSB42 has 11 1/2" Wide Drawer Fronts
- VSB48 has 11 1/2" Wide Drawer Fronts

\* Under-mount Drawer Glides

\*\* Will Have Center Stile

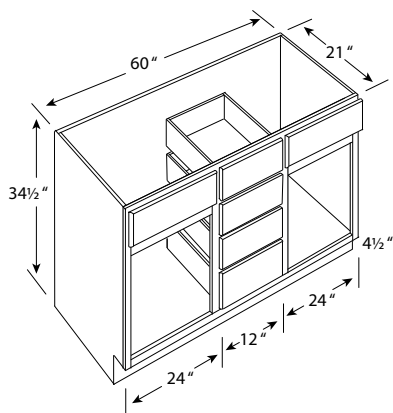
## Vanity Sink Base Cabinet, 2 Drawers & 4 Doors



	1	2	3	4	5
VSB60	1,283	1,341	1,399	1,458	1,516

- 21" Deep

## Double Vanity Sink Base Cabinet, 4 Drawers & 2 Doors



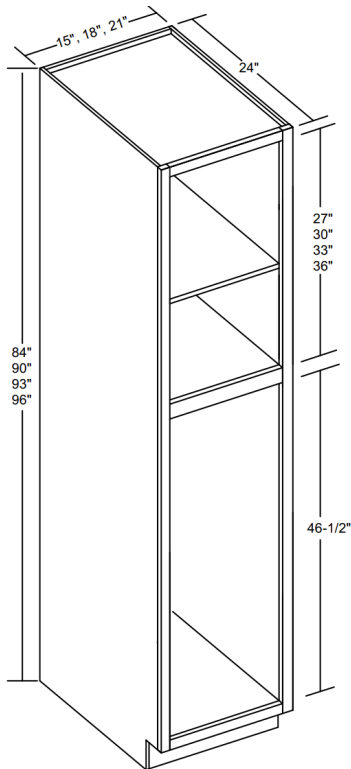
	1	2	3	4	5
VDB60	1,244	1,301	1,357	1,414	1,470

- 21" Deep
- Slab Door Styles Will Have All 6 Slab Drawers



# TALL CABINETS

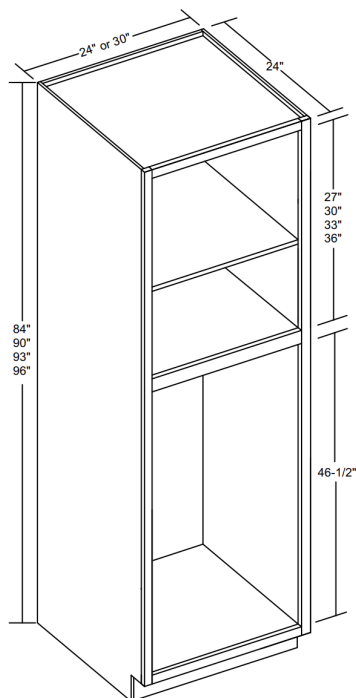
## 15", 18" & 21" Wide Utility Cabinet, 1 Door



	1	2	3	4	5
P1584*	1,324	1,385	1,445	1,505	1,565
P1590*	1,374	1,436	1,499	1,561	1,624
P1593*	1,422	1,487	1,552	1,616	1,681
P1596*	1,471	1,538	1,604	1,671	1,738
P1884	1,170	1,224	1,277	1,330	1,383
P1890	1,403	1,466	1,530	1,594	1,658
P1893*	1,451	1,517	1,583	1,649	1,715
P1896	1,499	1,567	1,636	1,704	1,772
P2184*	1,494	1,562	1,630	1,698	1,765
P2190*	1,554	1,625	1,696	1,766	1,837
P2193*	1,618	1,692	1,765	1,839	1,912
P2196*	1,681	1,757	1,834	1,910	1,986

- Single Door on Top & Bottom
- 84", 90" & 93" High Cabinets have 4 Adjustable Shelves and 1 Divider Shelf
- 96" High Cabinets have 5 Adjustable Shelves and 1 Divider Shelf
- End Panels are Full Height
- \* Not available in Hampton

## 24" & 30" Wide Utility Cabinet, 2 Doors

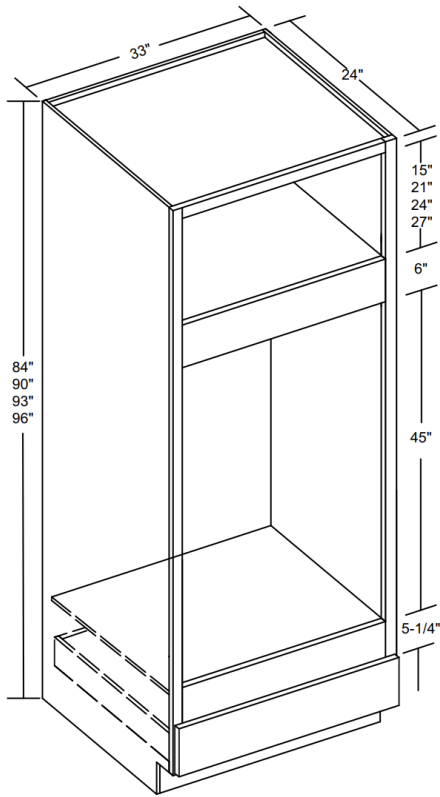


	1	2	3	4	5
P2484	1,469	1,535	1,602	1,669	1,736
P2490	1,598	1,671	1,744	1,816	1,889
P2493*	1,723	1,801	1,879	1,958	2,036
P2496	1,847	1,931	2,015	2,099	2,183
P3084*	1,921	2,008	2,095	2,183	2,270
P3090*	1,995	2,086	2,177	2,268	2,358
P3093*	2,088	2,183	2,278	2,373	2,467
P3096*	2,179	2,278	2,377	2,476	2,575

- Butt Doors on Top & Bottom
- 84", 90" & 93" High Cabinets have 4 Adjustable Shelves and 1 Divider Shelf
- 96" High Cabinets have 5 Adjustable Shelves and 1 Divider Shelf
- End Panels are Full Height
- \* Not available in Hampton

# TALL CABINETS

## Double Oven Cabinet, 1 Drawer

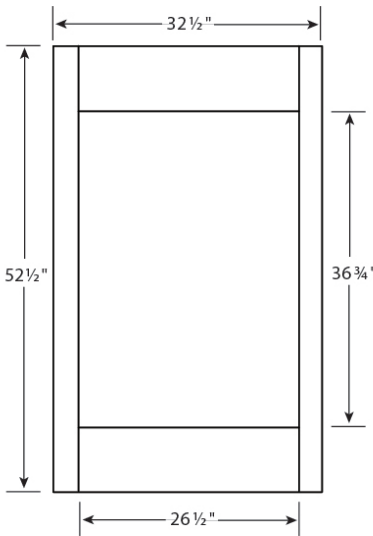


	1	2	3	4	5
OC3384D (w/ol)	2,082	2,177	2,272	2,366	2,461
OC3390D (w/ol)	2,549	2,665	2,780	2,896	3,012
OC3393D (w/ol)	2,567	2,684	2,801	2,918	3,034
OC3396D (w/ol)	2,585	2,703	2,820	2,938	3,055

- End Panels are Full Height
- Opening is 30" W x 45" H (All Three Sizes)
- Ships with Oven Cabinet Overlay (See Below)

## Oven Cabinet Overlay Panel Detail

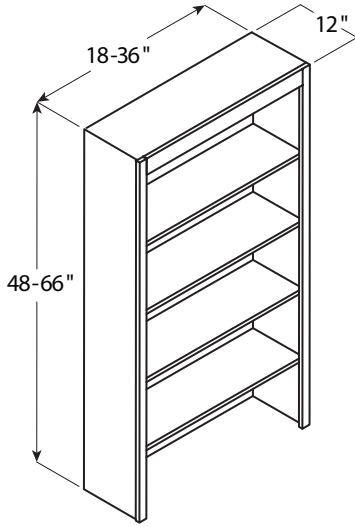
### OL-OVENCAB



- Outside Edge is Profiled
- Ships with Oven Cabinets Noted "W/OL" (See Above)
- Opening is 26 1/2" W x 36 3/4" H

# TALL CABINETS

## Bookcases 48", 54", 60", & 66" x 18", 24", 30", 36" Wide

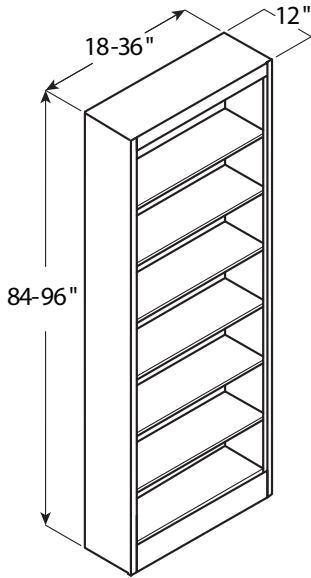


	1	2	3	4	5
BU1848S	726	759	792	825	858
BU1854S	817	854	892	929	966
BU1860S	908	949	990	1,031	1,073
BU1866S	999	1,044	1,090	1,135	1,180
BU2448S	970	1,014	1,058	1,103	1,147
BU2454S	1,089	1,139	1,188	1,238	1,287
BU2460S	1,210	1,265	1,320	1,375	1,430
BU2466S	1,331	1,392	1,452	1,513	1,573
BU3048S	1,210	1,265	1,320	1,375	1,430
BU3054S	1,363	1,425	1,487	1,549	1,611
BU3060S	1,513	1,581	1,650	1,719	1,788
BU3066S	1,664	1,740	1,816	1,891	1,967
BU3648S	1,452	1,518	1,584	1,650	1,716
BU3654S	1,634	1,708	1,782	1,856	1,931
BU3660S	1,815	1,898	1,980	2,063	2,145
BU3666S	1,997	2,087	2,178	2,269	2,360

- Bookcases are Offered Through the Modification Program and Extend Lead Time
- Finished Interior is Standard
- Increased Depths Available in 1" increments, 18" depth maximum

# TALL CABINETS

## Bookcases 84", 90", & 96" x 18", 24", 30", 36" Wide



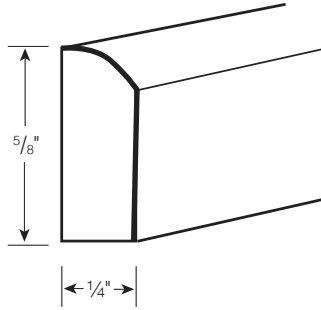
	1	2	3	4	5
BU1884S	1,271	1,328	1,386	1,444	1,502
BU1890S	1,363	1,425	1,487	1,549	1,611
BU1896S	1,452	1,518	1,584	1,650	1,716
BU2484S	1,694	1,771	1,848	1,925	2,002
BU2490S	1,815	1,898	1,980	2,063	2,145
BU2496S	1,936	2,024	2,112	2,200	2,288
BU3084S	2,118	2,214	2,310	2,406	2,503
BU3090S	2,269	2,372	2,476	2,579	2,682
BU3096S	2,420	2,530	2,640	2,750	2,860
BU3684S	2,540	2,655	2,771	2,886	3,002
BU3690S	2,723	2,846	2,970	3,094	3,218
BU3696S	2,904	3,036	3,168	3,300	3,432

- Bookcases are Offered Through the Modification Program and Extend Lead Time
- Finished Interior is Standard
- Increased Depths Available in 1" increments, 18" depth maximum



# MOULDINGS & ACCENTS

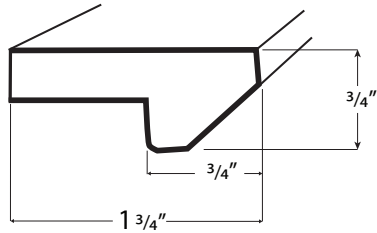
## 5/8" Scribe Moulding



	Stains	Paints
SM8	72	76

- 8' Long

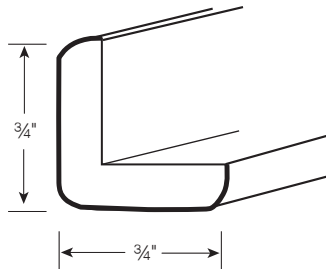
## Light Rail Moulding



	Stains	Paints
LR8	99	104

- 8' Long

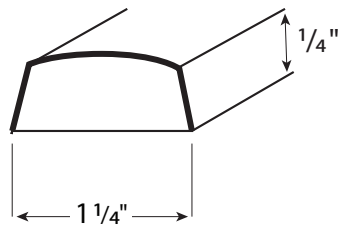
## Outside Corner Moulding



	Stains	Paints
OCM8	74	78

- 8' Long

## Batten Moulding



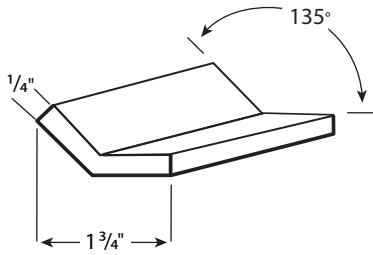
	Stains	Paints
BATTEN	95	100

- 8' Long

Bold line on drawings indicates finished sides

# MOULDINGS & ACCENTS

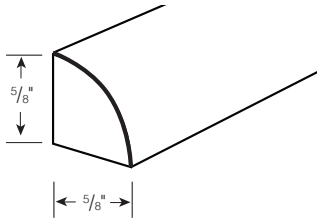
## 135 Outside Corner Moulding



	Stains	Paints
OCM135-8	94	99

- 8' Long

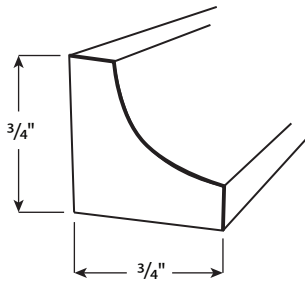
## Shoe Moulding



	Stains	Paints
SHOEMLD	76	80

- 8' Long

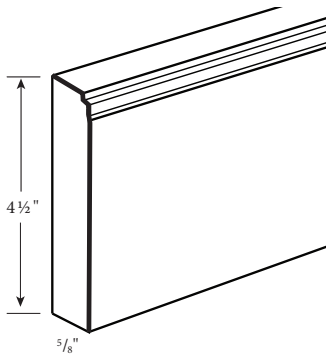
## Small Cove Moulding



	Stains	Paints
COVE	79	83

- 8' Long

## Base Moulding



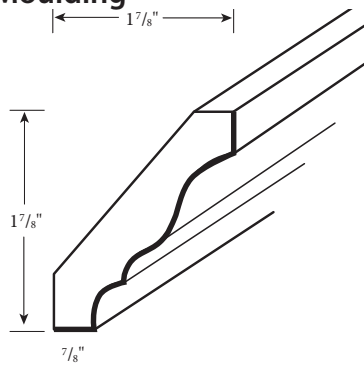
	Stains	Paints
BASEMLD	244	256

- 8' Long

Bold line on drawings indicates finished sides

# MOULDINGS & ACCENTS

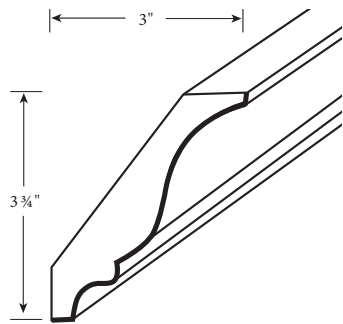
## 2 3/4" Crown Moulding



	Stains	Paints
CM8	166	174

- 8' Long

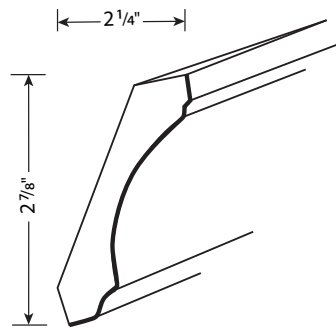
## 4 1/8" Large Crown Moulding



	Stains	Paints
BCM8	213	224

- 8' Long

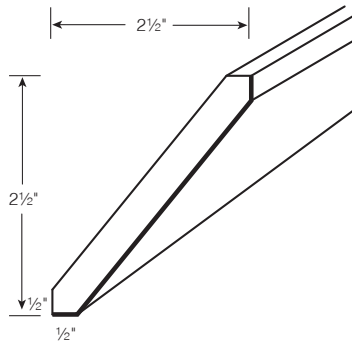
## 3 5/8" Large Cove Moulding



	Stains	Paints
CROWNCOVE	199	209

- 8' Long

## 3 1/2" Shaker Crown Moulding



	Stains	Paints
SHAKERCROWN	198	208

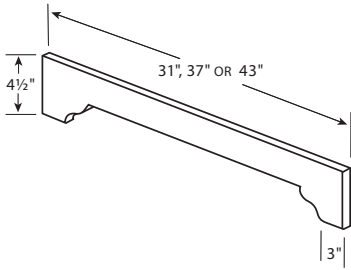
- 8' Long

- Check Stock Sheet for Availability

Bold line on drawings indicates finished sides

# MOULDINGS & ACCENTS

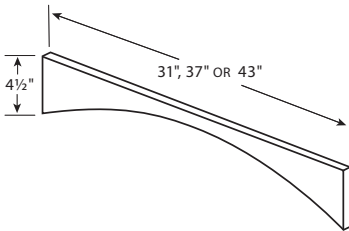
## Beckony Valance



	Stains	Paints
V31D	65	68
V37D	78	82
V43D	90	95

- Discontinued, Limited Quantities

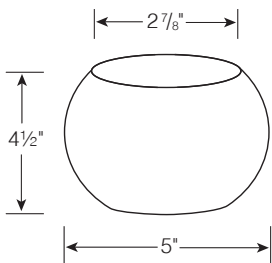
## Arched Valance



	Stains	Paints
V31E	65	68
V37E	78	82
V43E	90	95

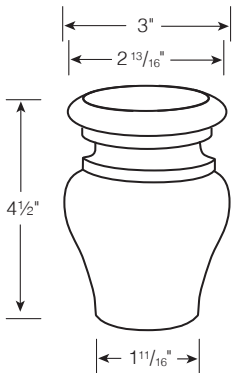
- Discontinued, Limited Quantities

## Bun Foot



	Stains	Paints
BUNFOOT	74	78

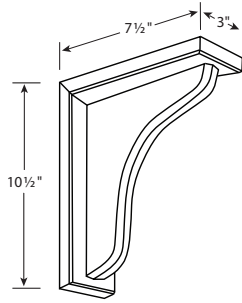
## Tulip Bun Foot



	Stains	Paints
TULIPBUNFOOT	74	78

# MOULDINGS & ACCENTS

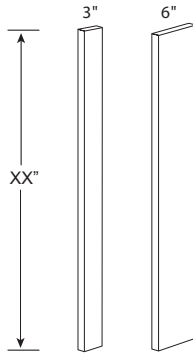
## Plain Corbel



	Stains	Paints
PLCOR	86	90

- Unglazed
- Profiles May Vary Slightly from Picture

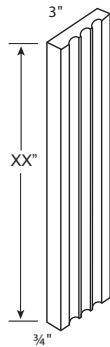
## 3" & 6" Fillers



	Stains	Paints
F330	59	62
F336	69	72
F342	74	78
F396	161	169
F630	99	104
F636	109	114
F642	124	130
F696	294	309

- Standard Finish Includes One Face and Two Sides
- 3/4" Thick

## 3" Fluted Fillers

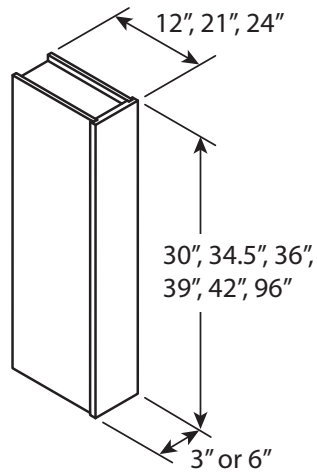


	Stains	Paints
F330F	66	69
F336F	75	79
F342F	81	85
F396F	185	194

- Discontinued, Limited Quantities
- Three Flutes Run the Length of the Filler
- Glazed Flutes on Glazed Door Styles Only
- 3/4" Thick

# FILLERS & PANELS

## Column Box Filler, 3" or 6" Wide



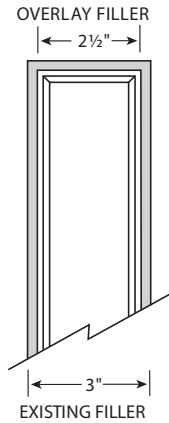
	Stains	Paints
CBF33012	399	419
CBF33412	418	439
CBF33612	436	458
CBF33912	445	467
CBF34212	454	477
CBF39612	604	634
CBF33021	406	426
CBF33421	424	445
CBF33621	442	464
CBF33921	451	474
CBF34221	460	483
CBF39621	604	634
CBF33024	411	432
CBF33424	430	452
CBF33624	448	470
CBF33924	459	482
CBF34224	466	489
CBF39624	604	634

	Stains	Paints
CBF63012	418	439
CBF63412	436	458
CBF63612	448	470
CBF63912	457	480
CBF64212	466	489
CBF69612	604	634
CBF63021	418	439
CBF63421	442	464
CBF63621	454	477
CBF63921	463	486
CBF64221	472	496
CBF69621	604	634
CBF63024	424	445
CBF63424	448	470
CBF63624	460	483
CBF63924	470	494
CBF64224	479	503
CBF69624	604	634

- Column Boxes are Offered Through the Modification Program and Extend Lead Time
- Finished Interior and Exterior is Standard

# FILLERS & PANELS

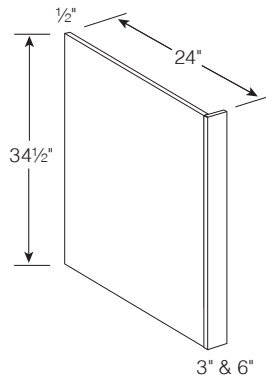
## Overlay Filler



	Stains	Paints
OLF312	39	41
OLF315	41	43
OLF330	43	45
OLF336	47	49
OLF339	48	50
OLF342	49	51
OLF384	98	103
OLF393	204	214
OLF396	272	286

- Matches Door and Drawer Reveal

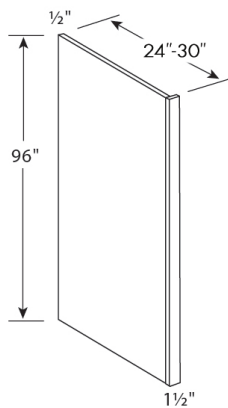
## Base End Panel / Dishwasher Return



	Stains	Paints
DWR3 (Reversible)	219	230
DWR6 (Reversible)	243	255

- Front Filler Extends 1/4" on Finished Side of Panel

## Refrigerator End Panel Return 1.5

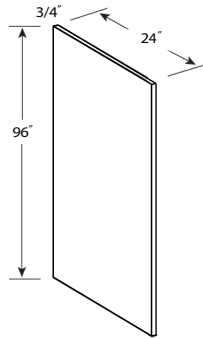


	Stains	Paints
REP1.5-24	329	345
REP1.5-30	355	373

- Front Filler Extends 1/4" on Finished Side of Panel  
- End Panels are Reversible

# PANELS & ACCESSORIES

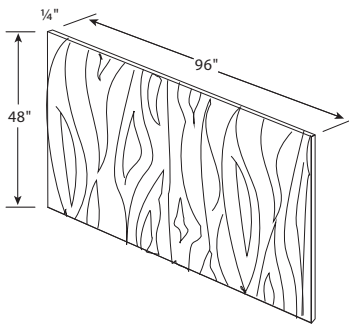
## Refrigerator End Panel .75



	Stains	Paints
REP.75-24	430	452

- Edgebanded on Two, Long Edges
- Both Sides Finished

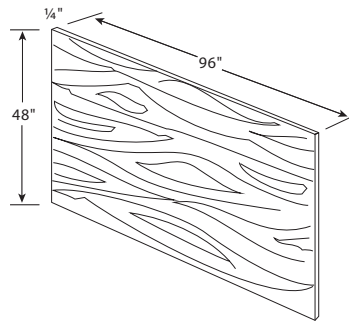
## Short Grain Panel 48" x 96" x 1/4"



	Stains	Paints
BP9648SG	529	N/A

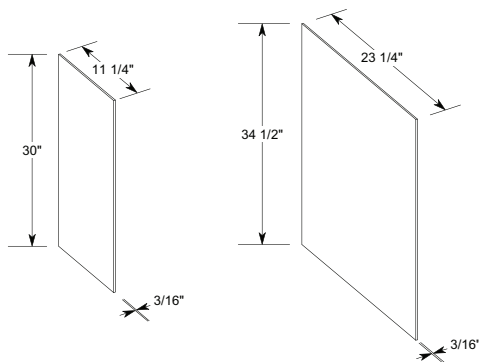
- For Stained Door Styles Only
- Available in Birch Only

## Long Grain Panel 48" x 48" and 96" x 48" x 1/4"



	Stains	Paints
BP4848	370	389
BP4848MDF	370	389
BP4896LG	529	555
BP4896MDF	529	555

## Skins (for Walls & Bases)

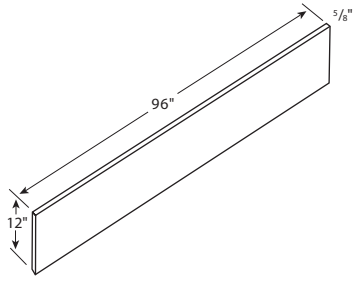


	Stains	Paints
SKINWALL2424	53	53
SKINWALL30	53	53
SKINWALL36	53	53
SKINWALL39	53	53
SKINWALL42	53	53
SKINBASELEFT	73	73
SKINBASERIGHT	73	73
SKINTALL	183	183



# ACCESSORIES

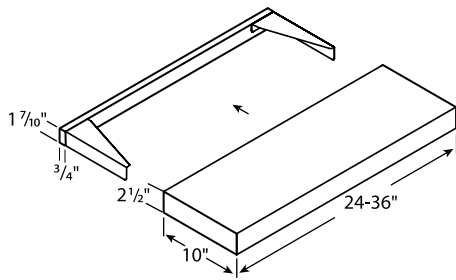
## Shelf Material



	Stains	Paints
SHELF12X96	217	228

- 12" x 96" x 5/8"
- Natural Birch Veneer or Finished to Match Door Color
- One Long Edge Banded

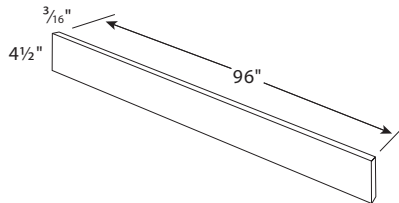
## Floating Shelf



	Stains	Paints
SHEFFFLOAT24	438	460
SHEFFFLOAT30	459	482
SHEFFFLOAT36	502	527
SHEFFFLOAT42	547	574
SHEFFFLOAT48	596	626
SHEFFFLOAT54	650	683
SHEFFFLOAT60	709	744

- Comes with Installation Bracket
- Cannot be Modified

## Toe Kick Cover

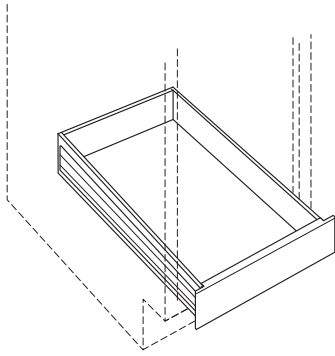


	Stains	Paints
TKS8	74	78

- 3/16" x 4 1/2" x 96" (Stain)
- 1/4" x 4 1/2" x 96" (Paint)
- 8' Long

# ACCESSORIES

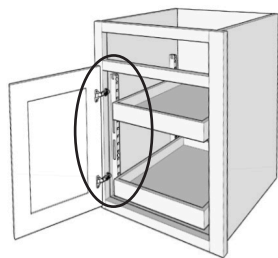
## Roll Out Tray



<b>B15ROT</b>	279
<b>B18ROT</b>	287
<b>B21ROT</b>	294
<b>B24ROT</b>	303
<b>B27ROT</b>	308
<b>B30ROT</b>	318
<b>B33ROT</b>	326
<b>B36ROT</b>	333

- 4" Tall, Dovetail Drawers
- Full Extensions, Soft Close Undermount Glides
- Will Fit into Tall Units
- To be used with Pilaster Kits, sold separately
- Not Installed; Tray Ships Separately From Cabinet

## Pilaster Kit for Roll Out Tray



**Pilaster Kit Installed**  
(Roll Out Trays not included)



**Pilaster**



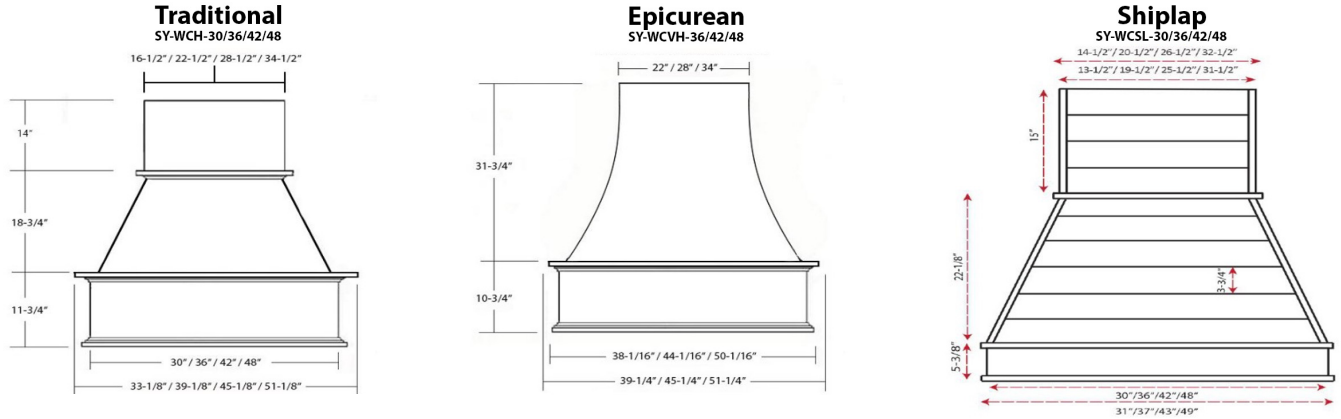
**Hook  
Dowel**

	<b>Stains</b>	<b>Paints</b>
<b>PILASTERKIT</b>	95	95
<b>PILASTERSETINSTLD</b>	113	113

- Pilaster Kit comes with 4 Pilasters and 8 Hook Dowels
- Roll Out Tray is Sold and Ships Separately
- Order 1 Kit for a Base Cabinet and 2 Kits for Pantries

# ACCESSORIES

## Hoods



**Traditional Hood** (SY-WCH - 30"/36"/42"/48") - Specifications sheet located in online SpecBook

**Epicurean Hood** (SY-WCVH - 36"/42"/48") - Specifications sheet located in online SpecBook

**Shiplap Hood** (SY-WCSL - 30"/36"/42"/48") - Specifications sheet located in online SpecBook

Available in Maple (Paints and Stains) and Oak (Paints and Stains)

Original Hood Cost (blue columns 2 & 3) include: Hood, Liner, and 300 CFM Blower

**Blower Options:** 300CFM (standard, included), 400CFM (9% upcharge), and 600CFM (34% upcharge)

300CFM Blower - Specifications sheet located in online SpecBook

400CFM Blower - Specifications sheet located in online SpecBook

600CFM Blower - Specifications sheet located in online SpecBook


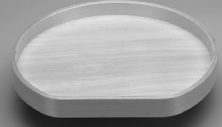





**Extensions:** Vertical extensions are optional and come with a trim kit. The prices are in the table below, the Traditional and Epicurean Hoods have vertical extension options of 14", 24", and 36". The Shiplap Hoods have vertical extension options of 15", 26 1/4", and 37 1/2".

\*\*\*\* PLEASE NOTE: Orders with hoods will extend lead times to 5-6 weeks.\*\*\*\*

Hood SKU	Stain	Paint	Extension 14" - 15" Stain	Extension 24" - 27" Stain	Extension 36" - 38" Stain	Extension 14" - 15" Paint	Extension 24" - 27" Paint	Extension 36" - 38" Paint
SY-WCH-30	\$4,518	\$4,744	460	629	798	483	660	838
SY-WCH-36	\$4,851	\$5,094	500	699	898	525	734	943
SY-WCH-42	\$5,252	\$5,515	546	780	1,014	573	819	1,065
SY-WCH-48	\$5,577	\$5,856	598	873	1,131	628	917	1,188
SY-WCSL-30	\$4,629	\$4,860	435	579	723	457	608	759
SY-WCSL-36	\$5,124	\$5,380	471	640	810	495	672	851
SY-WCSL-42	\$5,688	\$5,972	511	711	911	537	747	957
SY-WCSL-48	\$6,190	\$6,500	557	792	1,027	585	832	1,078
SY-WCVH-36	\$6,420	\$6,741	500	699	898	525	734	943
SY-WCVH-42	\$6,646	\$6,978	546	780	1,014	573	819	1,065
SY-WCVH-48	\$6,809	\$7,149	598	873	1,148	628	917	1,205

# ACCESSORIES - INSTALLED

## Rev-A-Shelf Accessories

Image	Lazy Susans	Description	Installs with	List Price
	LD-4BW-001-18SB-8	18" lazy daisy banded wood full circle (cost per tray)	all CW24 cabinets	290
	LD-4BW-201-20SBS-8	20" lazy daisy banded wood D-shape (cost per tray)	all CW27 cabinets	300
	LD-4BW-401-28SBS-40	28" lazy daisy banded wood kidney swivel mount (cost per tray)	ER36, ER33	369
	3072-18-11-52	18" full circle white polymer 2 tray set	CW2430	240
	3073-18-11-531	18" full circle white polymer 3 tray set w/31" lower shaft	CW2436	319
	3073-18-11-536	18" full circle white polymer 3 tray set w/36" lower shaft	CW2442	341
	3073-20-11-531	20" full circle white polymer 3 tray set w/31" lower shaft	CW2736	350

# ACCESSORIES - INSTALLED



Image	Lazy Susans (continued)	Description	Installs with	List Price
	3073-20-11-536	20" full circle white polymer 3 tray set w/36" lower shaft	CW2742	371
	LD-2472-28-11-1	28" lazy daisy white polymer kidney 2 tray set	ER36, ER33	283




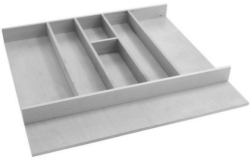
Image	Tilt-Out Trays	Description	Installs with	List Price
	LD-6572-11-11-1	11" deluxe white tilt-out trays (pair) w/45° hinges	SB33	79
	LD-6572-14-11-1	14" deluxe white tilt-out trays (pair) w/45° hinges	SB36	84

Image	Utensil Organizers	Description	Installs with	List Price
	4WUT-1SH	utensil organizer insert 18.5" x 22"	B18, B21, B24	198
	4WUT-3SH	utensil organizer insert 24" x 22"	B18, B21, B24, B27	260

# ACCESSORIES - INSTALLED






Image	Cutlery Trays	Description	Installs with	List Price
	4WCT-1SH	wood cutlery tray for 12"-18" cabinet	B12, B15, B18, B33, B36, DB12, DB15, DB18	185
	4WCT-3SH	wood cutlery tray for 21"-24" cabinet	B21, B24, B27, B39, B42, DB24	241
	4WUTKB-36SH-1	trimmable wood knife block insert for 36" cabinet	DB30, DB36, B30-1, B33-1, B36-1	640

Image	Spice Organizers	Description	Installs with	List Price
	4SDI-18	trimmable spice organizer insert 16" x 19"	B15, B18, B21	227
	4SDI-24	trimmable spice organizer insert 22" x 19"	B21, B24, B27	309

# ACCESSORIES - INSTALLED








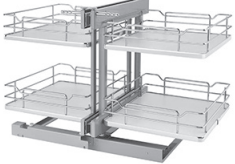

Image	Waste Containers	Description	Installs with	List Price
	4VL- WCSC-1535DM-1-18	bottom mount waste container - single	B15	734
	4VL- WCSC-1535DM-2-18	bottom mount waste container - double	B18	741

Image	Base Organizers	Description	Installs with	List Price
	448-BCSC-5C	5" base organizer pull-out with adjustable shelves	B9	1119
	447-BCSC-5C	5" base organizer pull-out with tray divider, soft close	B9	1,140
	4CW2-18SC-1	wood cookware organizer, soft close	B18	1,679
	4FSCO18SCS-1	food storage container organizer, soft close	B18	1,395

**Please Note:** All wall and base pull-outs have ball bearing slides (not soft-close) unless otherwise noted.

# ACCESSORIES - INSTALLED

Image	Base Organizers	Description	Installs with	List Price
	<p><b>448UT-BCSC-8C</b></p>	<p>base organizer with utensil bins, soft close</p>	<p>B12FHD</p>	<p>1,479</p>
	<p><b>53PSP-18SC-MP</b></p>	<p>2-tier solid blind base pullout; soft close (maple)</p>	<p>BB48FHD</p>	<p>2,877</p>
	<p><b>RAS-ML-HDCR</b></p>	<p>mixer lift with solid wood shelf</p>	<p>B15FHD, B18FHD, B21FHD</p>	<p>625</p>

**Please Note:** All wall and base pull-outs have ball bearing slides (not soft-close) unless otherwise noted.



# ACCESSORIES - NOT INSTALLED







Image	Base Drip Tray	Description	Installs with	List Price
	<b>SBDT-3336-A-1</b>	sink base drip tray 33/36 almond  <i>(will need to be cut down to fit the SB33)</i>	SB33, SB36	187
	<b>SBDTF-2730-14-1</b>	flexible sink drip tray 27/30 gray  <i>(will need to be cut down to fit the SB27)</i>	SB27, SB30	171
	<b>SBDTF-3336-14-1</b>	flexible sink drip tray 33/36 gray  <i>(will need to be cut down to fit the SB33)</i>	SB33, SB36	199

Image	Wall Filler Pull-Outs	Description	Installs with	List Price
	<b>432-WF-3C-RR</b>	3" wall filler pull-out w/shims 30" tall  <i>(filler not included)</i>	all 3" wall fillers	502
	<b>432-WF36-3C-RR</b>	3" wall filler pull-out w/shims 36" tall  <i>(filler not included)</i>	all 3" wall fillers	553
	<b>432-WF42-3C-RR</b>	3" wall filler pull-out w/shims 42" tall  <i>(filler not included)</i>	all 3" wall fillers	572

**Please Note:** All wall and base pull-outs have ball bearing slides (not soft-close) unless otherwise noted.

# ACCESSORIES - NOT INSTALLED









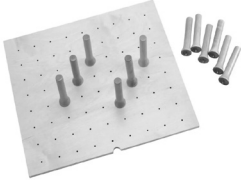
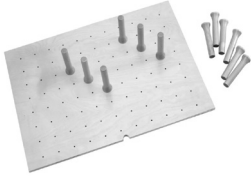
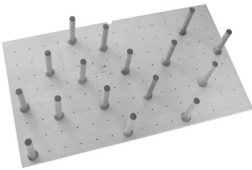

Image	Wall Filler Pull-Outs	Description	Installs with	List Price
	432-WF-6C-RR	6" wall filler pull-out w/shims 30" tall <i>(filler not included)</i>	all 6" wall fillers	609
	432-WF-36-6C-RR	6" wall filler pull-out w/shims 36" tall <i>(filler not included)</i>	all 6" wall fillers	655
	432-WF42-6C-RR	6" wall filler pull-out w/shims 42" tall <i>(filler not included)</i>	all 6" wall fillers	632

Image	Base Filler Pull-Outs	Description	Installs with	List Price
	432-BF-3C-RR	3" base filler pull-out w/shims 30" tall <i>(filler not included)</i>	all 3" base fillers	615
	432-BF-6C-RR	6" base filler pull-out w/shims 30" tall <i>(filler not included)</i>	all 6" base fillers	845

**Please Note:** All wall and base pull-outs have ball bearing slides (not soft-close) unless otherwise noted.

# ACCESSORIES - NOT INSTALLED

Image	Base Organizers	Description	Installs with	List Price
	4WDIV-24-1	wood deep drawer divider insert, 24" wide	DB24-2 with upgraded 10.5" tall drawer box	341
	4WDIV-30-1	wood deep drawer divider insert, 30" wide	DB30-2 with upgraded 10.5" tall drawer box	393
	4WDIV-36-1	wood deep drawer divider insert, 36" wide	DB36-2 with upgraded 10.5" tall drawer box	457
	4DPS-2421	drawer peg system	DB24-2 with upgraded 10.5" tall drawer box	261
	4DPS-3021	drawer peg system	DB30-2 with upgraded 10.5" tall drawer box	313
	4DPS-3921	drawer peg system	DB36-2 with upgraded 10.5" tall drawer box	399
	4DPS-PEG-4	pack of 4 extra pegs	drawer peg system	22

**Please Note:** All wall and base pull-outs have ball bearing slides (not soft-close) unless otherwise noted.

# ACCESSORIES - NOT INSTALLED

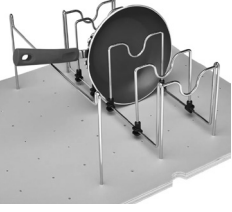

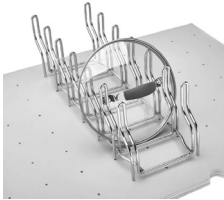

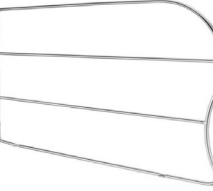








Image	Wall Filler Pull-Outs	Description	Installs with	List Price
	5DCD-1-CR	drop-in pan organizer	drawer peg system	85
	5DCH-2-1-CR	drop-in canister holder with 2 canisters	drawer peg system	113
	5DLD-1-CR	drop-in lid organizer	drawer peg system	69

Image	Chrome Tray Dividers	Description	Installs with	List Price
	LD-597-12CR-10	12" chrome tray divider	universal in all base cabinets, W361824, W362424	42
	LD-597-18CR-10	18" chrome tray divider	universal in all base cabinets, W362424	45

# ACCESSORIES - NOT INSTALLED

Image	Repair Items	Description	List Price
	TOUCHUPKITXX	<p>Touch-Up Kit includes: (1) Fil-Stik which is a semi-hard putty in stick form and (1) color match marker</p> <p>(available in all paint colors and stains, except Natural)</p>	53
	BLENDER-SPRAY	<p>Blender spray is designed for blending spray lines, blending overspray and blending minor surface scratches on C.A.B. lacquer finishes.</p>	43
	TOPCOAT - SPRAY	<p>Top Coat is a 25 sheen acrylic clear coat and is applied over Spray Paint repairs.</p>	47
	SPRAYPAINTXX	<p>Spray Paint is applied over Hard Fill repairs to create a seamless finish.</p> <p>(available in all paint colors)</p>	83
	HARD-FILL-STICKXX	<p>Hard Fill Sticks require a Burn-In Knife (sold separately) to melt the product and fill defects, dents, scratches and nicks in cabinetry.</p> <p>(available in all paint colors)</p>	60
	BURNINKNIFE	<p>Burn-In Knife is used to heat and melt the Hard Fill Stick onto the repair site of the cabinetry.</p>	130

# ACCESSORIES - NOT INSTALLED

Image	Repair Items (cont.)	Description	List Price
	<p><b>HARDFILLTOOL</b></p>	<p>Hard Fill Tool is designed to level the Hard Fill product on the repair area of the cabinetry.</p>	<p>67</p>
	<p><b>REPAIRKIT</b></p>	<p>Repair Kit includes: (1) Burn-in Knife, (1) set of Hard Fill Sticks in all seven paint colors, (1) Hard Fill Tool, and sandpaper</p>	<p>750</p>
	<p><b>CABINETARMOR</b></p>	<p>32" x 60' roll of Cabinet Armor with adhesive edge used to protect cabinets after installation</p>	<p>190</p>



# FINISHING PROGRAM

*RiverRun Cabinetry*

## FINISHING PROGRAM

- Our finishing program has been created so you can order products such as turned posts, furniture feet, corbels etc. from a third party supplier, have it shipped to RiverRun Cabinetry and we will finish it to match your cabinet order and ship to you with your RiverRun Cabinetry order.

## FOLLOW THESE STEPS

1. Place your cabinet order with RiverRun Cabinetry  
Once you submit your RiverRun order your order will be issued an "Order Number"
2. Purchase your items from a third party supplier that you would like RiverRun to finish. Use your RiverRun Order Number as your purchase order or job name on your order with the third party supplier.
3. Have products shipped to:  
RiverRun Cabinetry  
ATTN: RiverRun Finish Program  
4660 Early Road  
Mt Crawford, VA 22841
4. Once we receive your items we will refer to your RiverRun order number and add the item into the finish production schedule with your cabinetry order.

## PROGRAM REQUIREMENTS

- RiverRun Cabinetry order must consist of 5 cabinets in addition to the products requesting to be finished.
- Items sent to RiverRun Cabinetry requesting a stained finish MUST be of the same wood species as your RiverRun Cabinetry order.
- Items sent to RiverRun Cabinetry requesting a painted finish must be "Paint Grade"
- If we do not receive your products within ample time for finishing, a delivery fee will be applied such as FedEx charges or RiverRun Cycle Ship minimum charges.
- If items arrive to RiverRun requiring dismantling in order to finish, we will contact you for additional costs and your approval.

## FINISH PROGRAM LIST PRICING

Island Legs, Turned Posts, Split Posts up to 5 inches wide and 42 inches long .....	\$339
Corbels, Shelf Supports up to 5 inches wide and 18 inches tall .....	\$189
Larger Items such as Wainscot Panels .....	\$762
Hoods .....	\$935

## Osborne Wood Products Program

RiverRun Cabinetry will finish **paint grade Soft Maple and Oak (for paint)** and **Russian Birch, Maple and Red Oak (for stain)** items to match your RiverRun Cabinets.

**Please follow instructions closely.**

1. Visit [OsborneWood.com](http://OsborneWood.com) and add your selected items to your cart.
2. At Checkout, complete the "Shipping & Billing" address page as shown below:

**Shipping & Billing Address**
▲

Shipping Address	Billing Address
Company Name: <input type="text" value="RiverRun Cabinetry"/>	Company Name: <input type="text"/>
First Name: <input type="text" value="Your RiverRun Order #"/>	First Name: <input type="text"/> <small>* First Name required.</small>
Last Name: <input type="text" value="Your Business Name"/>	Last Name: <input type="text"/> <small>* Last Name required.</small>
Phone Number: <input type="text" value="540-438-5973"/>	Phone Number: <input type="text"/> <small>* Phone Number required.</small>
Email Address: <input type="text" value="CustomerService@RiverRunCabinetry.com"/> <small>* Email required.</small>	Order Confirmation Email: <input type="text"/>
Street 1: <input type="text" value="4660 Early Road"/>	Street 1: <input type="text"/> <small>* Street 1 required.</small>
Street 2: <input type="text"/>	Street 2: <input type="text"/>
Country: <input style="border: none; background-color: #eee; width: 100%;" type="text" value="U.S.A."/>	Country: <input style="border: none; background-color: #eee; width: 100%;" type="text" value="U.S.A."/>
State: <input style="border: none; background-color: #eee; width: 100%;" type="text" value="Virginia"/>	State: <input style="border: none; background-color: #eee; width: 100%;" type="text" value="Virginia"/>
City: <input type="text" value="MT CRAWFORD"/>	City: <input type="text"/> <small>* City required.</small>
Zip Code: <input type="text" value="22841"/>	Zip Code: <input type="text"/> <small>* Zip Code required.</small>
<input type="checkbox"/> Same As Shipping Address	

**Proceed to Shipping and Payment**

3. We will receive your package, unpack, inspect for damage, finish the same color as your RiverRun order number indicated on your referenced order.
4. RiverRun will re-pack your finished products and ship them to you.

**Please Note:**

- You must order and pay for the items with Osborne Wood Products.
- You must select **paint grade Soft Maple and Oak (for paints)** or **Russian Birch, Maple or Red Oak (for stains)**.
- If we do not receive your products within ample time for finishing, we will charge a delivery fee to FedEx or Cycle Ship your Osborne Wood Product items to you.
- Must be accompanied with a minimum 5 cabinet order.

**Costs for Finishing (List Prices):**

- Island Legs, Turned Posts, Split Posts up to 5 inches wide and 42 inches long . . . . . \$339
- Corbels, Shelf Supports up to 5 inches wide and 18 inches tall . . . . . \$187
- Larger Items such as Panels . . . . . \$762
- Hoods . . . . . \$935





## EMAIL REGISTRATION

Dealer Code: \_\_\_\_\_

Select One:  New  Update  Cancel

Complete this form to register your email address with RiverRun Cabinetry. Once your email is registered, you will be set up to send/receive orders electronically via email.

All your order communication - submitting orders/expedites, receiving acknowledgements and making revisions - is via one order entry email address: [Order@RiverRunCabinetry.com](mailto:Order@RiverRunCabinetry.com) (Warranty emails should be sent to a separate email address: [Damages@RiverRunCabinetry.com](mailto:Damages@RiverRunCabinetry.com))

### Program Details

- One registering your email with RiverRun, all order communication must be emailed in.
- One email address per designer/salesperson. Orders may be submitted only via your registered email. Acknowledgements will be returned to the same registered email address.
- Expedites and revisions must also be submitted via email to: [Order@RiverRunCabinetry.com](mailto:Order@RiverRunCabinetry.com)
- Warranties should be submitted via email to: [Damages@RiverRunCabinetry.com](mailto:Damages@RiverRunCabinetry.com)
- Please keep your email address current. Use this form to inform RiverRun of an email address change or to remove an email address from our system.
- Privacy: RiverRun will on occasion use your email to communicate promotions and updates, but will never share your email with outside vendors.

DEALER NAME: \_\_\_\_\_

ADDRESS: \_\_\_\_\_

CITY, STATE, ZIP: \_\_\_\_\_

PHONE: \_\_\_\_\_

GENERAL DEALERSHIP EMAIL (promos, price updates, etc.)

EMAIL: \_\_\_\_\_

DESIGNER NAME: \_\_\_\_\_

EMAIL: \_\_\_\_\_

DESIGNER NAME: \_\_\_\_\_

EMAIL: \_\_\_\_\_

DESIGNER NAME: \_\_\_\_\_

EMAIL: \_\_\_\_\_



# CUSTOM QUOTE FORM

Today's Date: \_\_\_\_\_

### DEALER CONTACT INFO:

Email this form to [CustomerService@RiverRunCabinetry.com](mailto:CustomerService@RiverRunCabinetry.com)

Dealer Name: \_\_\_\_\_ Contact: \_\_\_\_\_

Contact Email: \_\_\_\_\_ Contact Phone: \_\_\_\_\_

Dealer Location: \_\_\_\_\_

### CABINET INFO:

Door Style: \_\_\_\_\_

Drawer Front Style: \_\_\_\_\_

Wood Specie: \_\_\_\_\_

Finish Color: \_\_\_\_\_

<b>This section to be completed by the factory.</b>
List Price:
Expiration Date:
Approved by:

Please provide a detailed description and dimensioned drawing of the requested product. One item per form.

\*\*\* Lead time may be extended on custom quote items. \*\*\*  
Please include an approved copy of this form when placing your order.