



# CUSTOM QUOTE FORM

Today's Date: \_\_\_\_\_

### DEALER CONTACT INFO:

Email this form to [CustomerService@RiverRunCabinetry.com](mailto:CustomerService@RiverRunCabinetry.com)

Dealer Name: \_\_\_\_\_ Contact: \_\_\_\_\_

Contact Email: \_\_\_\_\_ Contact Phone: \_\_\_\_\_

Dealer Location: \_\_\_\_\_

### CABINET INFO:

Door Style: \_\_\_\_\_

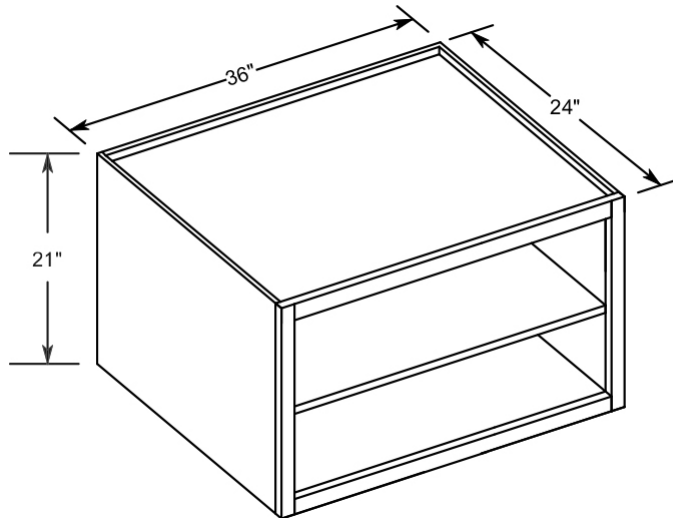
Drawer Front Style: \_\_\_\_\_

Wood Specie: \_\_\_\_\_

Finish Color: \_\_\_\_\_

<b>This section to be completed by the factory.</b>
List Price:
Expiration Date:
Approved by:

Please provide a detailed description and dimensioned drawing of the requested product. One item per form.



\*\*\* Lead time may be extended on custom quote items. \*\*\*  
Please include an approved copy of this form when placing your order.